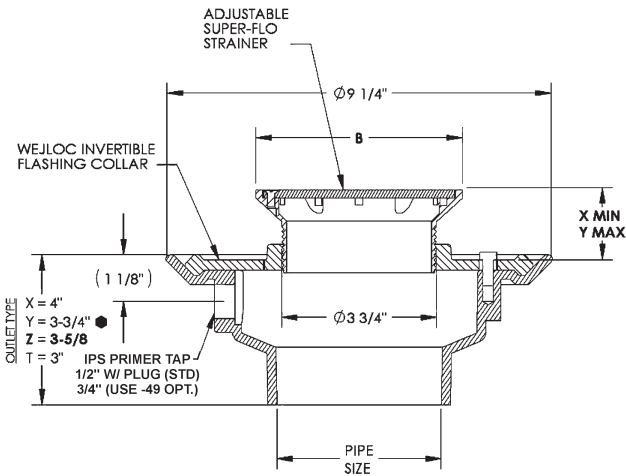


30000-A SERIES

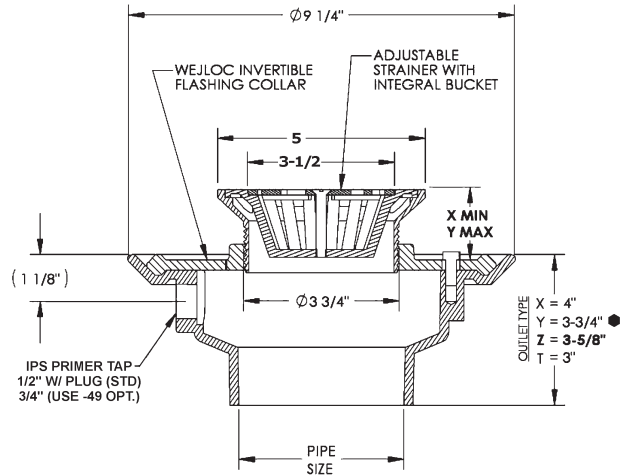
Body with Round SUPER-FLO® Strainer



● CONFORMS WITH ASTM-C564.

30000-C SERIES

Body with Non-Clog Strainer & Bucket



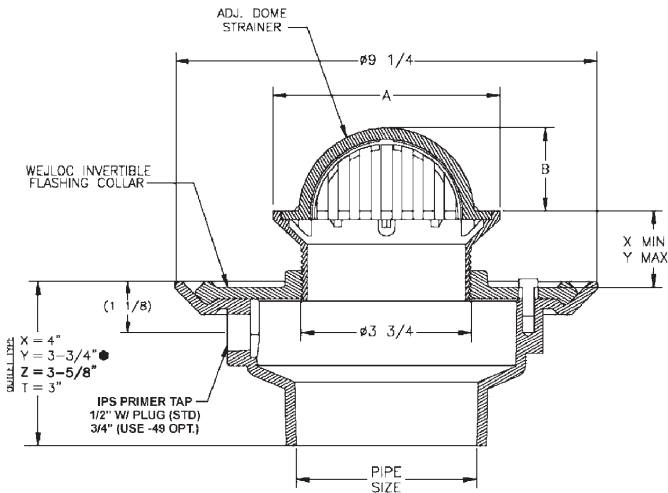
● CONFORMS WITH ASTM-C564.

TYPE NO.	PIPE SIZE	ADJUSTABLE STRAINER ADJUSTMENT				FREE AREA	LBS.†
		TYPE NO.	B	X	Y		
30002	2	5A	5	3/4	2-1/8	7.8	14
30003	3	6A	6	1-1/4	2-3/8	11.0	15
30004	4	7A	7	1-1/8	2-7/8	13.2	16
† STRAINER W/BODY		8A	8	1-5/8	2-5/8	16.2	17

TYPE NO.	PIPE SIZE	ADJUSTABLE STRAINER ADJUSTMENT			FREE AREA	LBS.†
		TYPE NO.	X	Y		
30002	2	5C	3/4	1-7/8	4.5	15
30003	3					
30004	4					
† STRAINER W/BODY						

30000-D SERIES

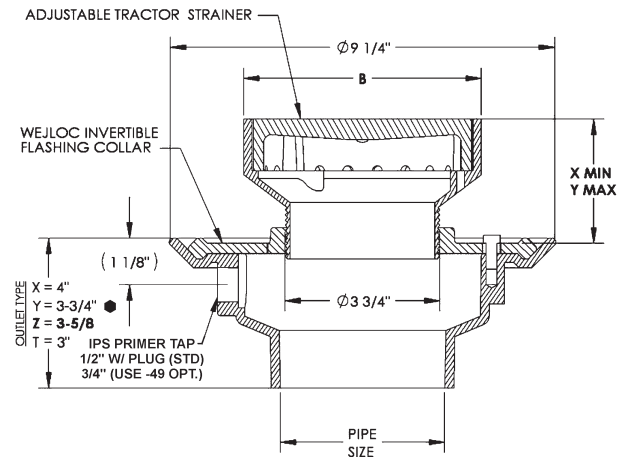
Body with Dome Strainer



● CONFORMS WITH ASTM-C564.

30000-E SERIES

Body with Tractor Strainer



● CONFORMS WITH ASTM-C564.

TYPE NO.	PIPE SIZE	ADJUSTABLE STRAINER ADJUSTMENT				FREE AREA	LBS.†	
		TYPE NO.	A	B	X			Y
30002	2	5D	5	1-7/8	3/4	2-1/8	8.1	15
30003	3	6D	6	1-3/4	1-1/4	2-3/8	8.1	16
30004	4							
† STRAINER W/BODY								

TYPE NO.	PIPE SIZE	ADJUSTABLE STRAINER ADJUSTMENT			FREE AREA	LBS.†	
		TYPE NO.	B	X			Y
30002	2	6E	6	2-1/4	3-1/2	6.7	17
30003	3	7E	7	1-7/8	3-1/8	12.0	18
30004	4	9E	9	2-1/4	3-3/8	21.2	23
† STRAINER W/BODY							