

## 30802-4CP SERIES CAST IRON BODY & TRAP ASSEMBLY WITH ADJ. STRAINER

### APPLICATION

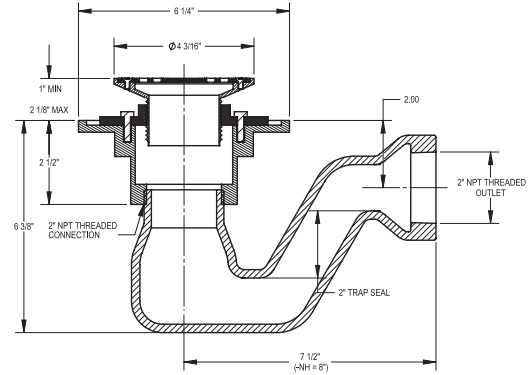
For use in finished areas with pedestrian traffic such as toilet and shower rooms. Wide flange anchors drain body in concrete and works in conjunction with the clamp collar to redirect waste through the collar's weepholes if seepage occurs around the strainer. Collar is also invertible for extra vertical strainer adjustment to meet finished floor level.

### SPECIFICATION

JOSAM 30802-4CP Series coated cast iron Floor Drain, two-piece body with invertible clamp collar, weepholes, 2" low-profile trap and 4" round adjustable chrome-plated strainer.

### Available Options

- |                       |                    |
|-----------------------|--------------------|
| -SQ Square Top        | <b>OUTLETS:</b>    |
| -LT Less Shallow Trap | -T Threaded Outlet |
|                       | -Z No-Hub Outlet   |



FOR OUTLET TYPE, SPECIFY -T or -Z

TYPE NO.	PIPE SIZE	STRAINER ADJUSTMENT		FREE AREA	LBS.
		X	Y		
30802-4CP	2	1	2-1/8	3.8	8

## 30900-9AD SERIES BODY WITH STRAINER WITH CLAMP DEVICE

### APPLICATION

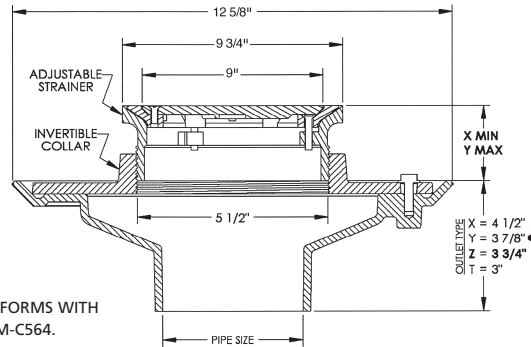
For use in areas where the waterproofing is installed at the finish floor level and pedestrian traffic is expected. Wide flange anchors drain body in concrete and works in conjunction with the clamp collar to redirect waste through the collar's weepholes if seepage occurs around the strainer. The WEJLOC® clamp provides a non-puncturing positive bond of the waterproofing membrane to the drain body for applications where floors with standing water are to be sealed off from areas below.

### SPECIFICATION

JOSAM 30900-9AD Series coated cast iron Floor Drain with double drainage flange, weepholes, bottom outlet and satin Nikaloy round strainer in an adjustable Nikaloy clamping collar which secures flashing or waterproofing at finished floor.

### Available Options

- |  |                           |
|--|---------------------------|
| -2 Satin Finish Bronze                 | <b>OUTLETS:</b>           |
| -92 Galvanized Cast Iron Parts         | -66 No-Hub Side Outlet    |
| -VP Secured Grate, Vandal-Proof Screws | -T Threaded Outlet        |
|  | -X Inside Caulk Outlet    |
|  | -Y Hub Outlet with Gasket |
|  | -Z No-Hub Outlet          |



CONFORMS WITH ASTM-C564.

FOR OUTLET TYPE, SPECIFY -T, -X, -Y or -Z

TYPE NO.	PIPE SIZE	STRAINER ADJUSTMENT		FREE AREA	LBS.†
		X	Y		
30902-9AD	2	1-1/8	2-5/8	16.5	33
30903-9AD	3				
30904-9AD	4				

†STRAINER WITH BODY

## 31000 SERIES BODY WITH 5" ROUND NIKALOY TOP

### APPLICATION

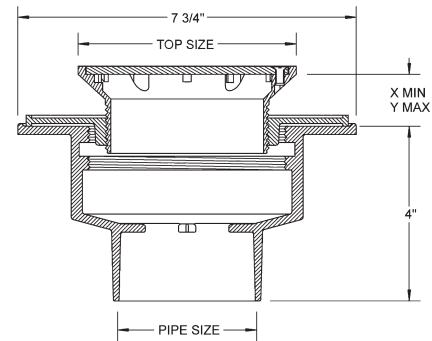
Wide flange anchors drain body in concrete with 5" round adjustable Nikaloy top for finished floors subject to pedestrian traffic.

### SPECIFICATION

JOSAM 31000 Series coated cast iron Floor Drain, double drainage flange and 1/2" primer tap with plug, bottom outlet and 5" round adjustable Nikaloy top.

### Available Options

- |                                   |
|-----------------------------------|
| -C Bolted Flashing Clamp Device   |
| -SQ Square Top                    |
| <b>OUTLETS:</b>                   |
| -Y Hub Outlet with Gasket, 2", 3" |
| -Z No-Hub Outlet, 3", 4"          |



FOR OUTLET TYPE, SPECIFY -Y or Z

TYPE NO.	PIPE SIZE	TOP SIZE	STRAINER ADJUSTMENT		LBS.
			MIN	MAX	
31002	2	5	3/4	2-1/8	9
31003	3	5	3/4	2-1/8	9
31004	4	5	3/4	2-1/8	9