

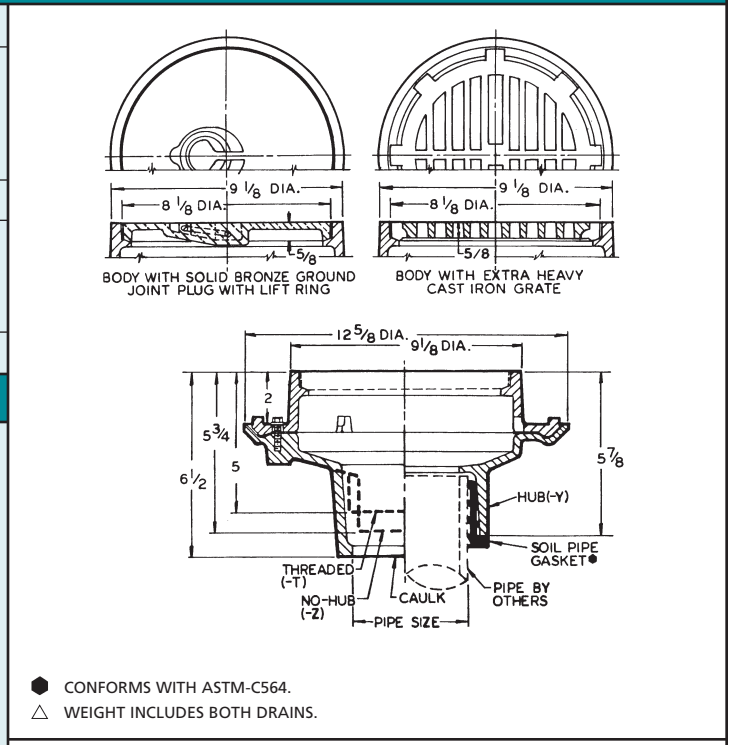
## 32150 SERIES SUPER-FLO® 9" BLOOD DRAIN

**APPLICATION**

For use in heavy traffic areas such as packinghouse kill floors. One drain body is connected to the waste line and the other to the blood tank. During slaughtering, the SUPER-FLO® grate is placed in the drain connected to the blood tank and the waste line is plugged with the solid cover. The grate and cover are interchanged during wash down and clean up.

**SPECIFICATION**

JOSAM 32150 Series coated cast iron Floor Drains with double drainage flanges, weepholes, bottom outlets, 9" round tops, one body furnished with a solid bronze plug, the other body furnished with an extra heavy-duty, anti-tilting, SUPER-FLO® grate with perimeter drainage slots.



**Available Options**

-1	Satin Finish Nikaloy Top	<b>OUTLETS:</b>	
-2	Satin Finish Bronze Top	-T	Threaded Outlet
-7	Ductile Iron Grate	-X	Inside Caulk Outlet
-44	Fixed Extension Collar, Cast Iron (Specify Hgt.), 3" Std.	-Y	Hub Outlet with Gasket
-44-92	Fixed Extension Collar, Galv. (Specify Hgt.), 3" Std.	-Z	No-Hub Outlet
-92	Galvanized Cast Iron Parts		
-ARE	Acid-Resisting Epoxy		

FOR OUTLET TYPE SPECIFY -T, -X, -Y or -Z

TYPE NO.	PIPE SIZE	LBS.
32152	2	38
32153	3	41
32154	4	43

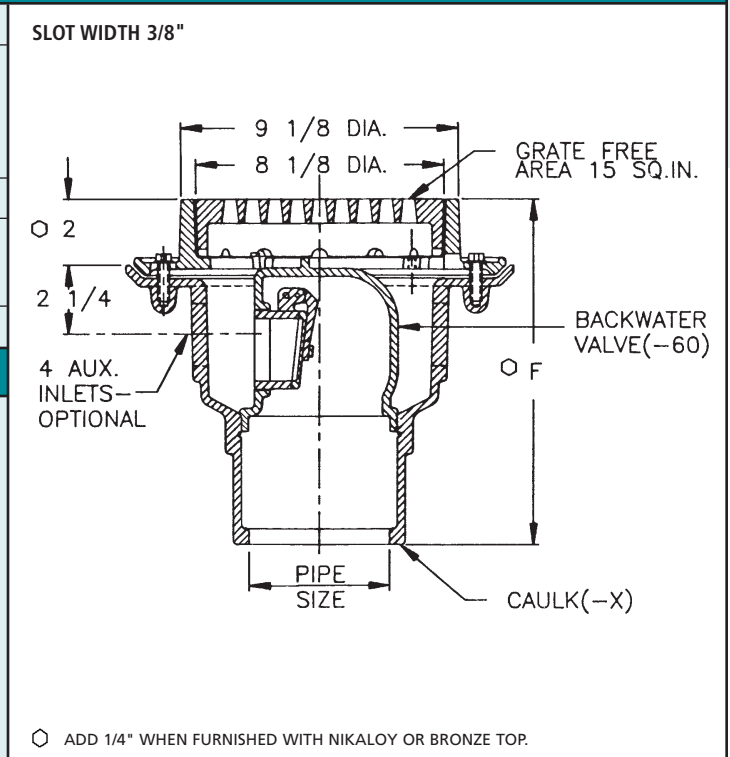
## 32160 SERIES DEEP BODY, 9" TRACTOR TOP

**APPLICATION**

For use in heavy traffic areas such as garages and loading docks for any type of floor construction where a small to medium flow of liquid is anticipated. Deep drain body has provisions for side auxiliary inlets, which can be used to receive the waste from other fixtures or drains. The body will also accept a flapper type backwater valve for use in areas subject to backflow conditions.

**SPECIFICATION**

JOSAM 32160 Series coated cast iron Floor Drain with double drainage flange, weepholes, bottom outlet, inside caulk connection, round top and heavy-duty, loose-set, tractor grate.



**Available Options**

-7	Ductile Iron Grate	-53-92	2" Auxiliary Hub Inlet, Galv.
-12	Square Top, Cast Iron	-54-92	2" Auxiliary Spigot Inlet, Galvanized
-15	Chained Grate	-60	Backwater Valve
-19	C. I. Undergrate with Satin Finish Nikaloy Top	▲ -62	"T" Handle Bronze Closure Plug
-20	C. I. Undergrate with Satin Finish Bronze Top	▲ -71	Solid Cast Iron Bucket
-44	Fixed Ext. Collar, CI, (Specify Hgt.), 3" Std.	▲ -81	Slotted Cast Iron Bucket
-49	3/4" Primer Tap	▲ -88	Supplementary Strainer
-50	1/2" Primer Tap	-92	Galvanized Cast Iron Parts
-51	1-1/2" Auxiliary Threaded Inlet	-ARE	Acid-Resisting Epoxy
-52	2" Auxiliary Threaded Inlet	-VP	Secured Grate, Vandal-Proof Screws
-53	2" Auxiliary Hub Inlet	<b>OUTLETS:</b>	
-54	2" Auxiliary Spigot Inlet	-66	No-Hub Side Outlet
		-X	Inside Caulk Outlet

▲ Cannot be installed when Backwater Valve is ordered.

FOR OUTLET TYPE SPECIFY -X

TYPE NO.	PIPE SIZE	F	LBS.
32163	3	10-7/8	48
32164	4	11-1/4	48