

32330 SERIES

DEEP SUMP, SUPER-FLO® 12" TOP WITH BUCKET

APPLICATION

For use in medium traffic areas, such as bottling plants, for any type of floor construction where a heavy flow of liquid is anticipated and a deep bucket is necessary to collect a considerable amount of debris which may clog the waste line.

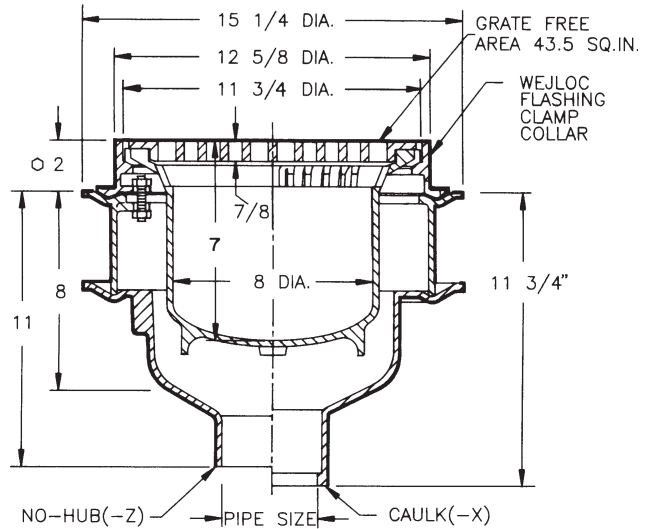
SPECIFICATION

JOSAM 32330 Series coated cast iron Floor Drain, deep two-piece body with double drainage flange, WEJLOC® non-puncturing flashing clamp collar, weepholes, bottom outlet, round top and removable sediment bucket which supports a medium-duty loose-set anti-tilting SUPER-FLO® grate with perimeter slots.

Available Options

▼-SD	Special-Duty Grate	-49	3/4" Primer Tap
-15	Chained Grate	-50	1/2" Primer Tap
-VP	Secured Grate, Vandal-Proof Screws	-70	Less Bucket (32330-SD Only)
-19	C.I. Undergrate with Satin Finish Nikaloy Top	-84	Stainless Steel Mesh Bucket Liner
-20	C.I. Undergrate with Satin Finish Bronze Top	-88	Supplementary Strainer
-44	Fixed Extension Collar, C.I. (Specify Hgt.) on 32330-SD Only, 1" Std.	-92	Galv. Cast Iron Parts
OUTLETS:			
-44-92	Fixed Extension Collar, Galv. (Specify Hgt.) on 32330-SD Only, 1" Std.	-66	No-Hub Side Outlet, 2"-6"
		-X	Inside Caulk Outlet
		-Z	No-Hub Outlet

32330 SLOT WIDTH 9/16"
 32330-19 SLOT WIDTH 1/2"
 32330-20 SLOT WIDTH 1/2"



○ ADD 1/4" WHEN FURNISHED WITH NIKALOY OR BRONZE TOP.

FOR OUTLET TYPE SPECIFY -X or -Z

TYPE NO.	PIPE SIZE	LBS.	TYPE NO.	PIPE SIZE	LBS.
32332	2	86	32335	5	89
32333	3	87	32336	6	90
32334	4	88	32338	8	92

32330-SD SERIES

with -SD Special-Duty Grate

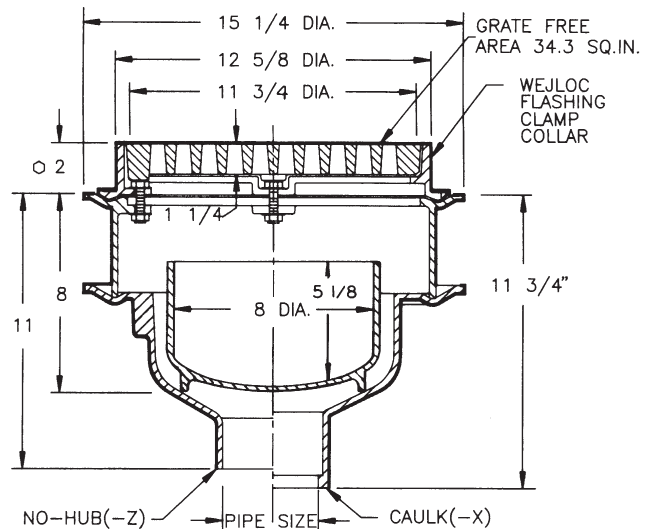
APPLICATION

For use in heavy traffic areas such as truck garages and loading docks for any type of floor construction where a medium flow of liquid is anticipated. The deep sump assures rapid drainage and accommodates a large capacity bucket to collect debris.

SPECIFICATION

JOSAM 32330-SD Series coated cast iron Floor Drain with double drainage flange, WEJLOC® non-puncturing flashing clamp collar, weepholes, bottom outlet, round top, removable sediment bucket and special-duty, loose-duty grate.

32330-SD SLOT WIDTH 1/2"
 32330-SD-19 SLOT WIDTH 1/4"
 32330-SD-20 SLOT WIDTH 1/4"



○ ADD 1/4" WHEN FURNISHED WITH NIKALOY OR BRONZE TOP.

FOR OUTLET TYPE SPECIFY -X or -Z

TYPE NO.	PIPE SIZE	LBS.
32332-SD	2	65
32333-SD	3	65
32334-SD	4	65