

34920 SERIES

NON-CLOG 21" ROUND TOP WITH BUCKET

APPLICATION

For use in medium traffic areas, such as storage rooms, for any type of floor construction where a heavy flow of liquid is anticipated and a deep bucket is necessary to collect a considerable amount of debris which may clog the waste line. Design permits drainage even though bucket is filled. To ensure proper usage, grate cannot be replaced without bucket.

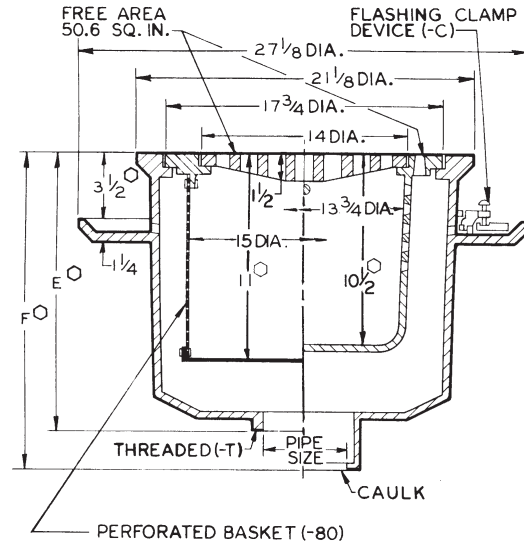
SPECIFICATION

JOSAM 34920 Series coated cast iron Floor Drain with double drainage flange, weep-holes, bottom outlet, round top and removable sediment bucket designed so that extra heavy-duty NON-CLOG grate cannot be replaced unless bucket is in position.

Available Options

-12	Square Top	-49	3/4" Primer Tap
-12-1	Square Top, Nikaloy	-50	1/2" Primer Tap
-12-2	Square Top, Bronze	-80	Perforated Stainless Steel Basket
-15	Chained Grate	-84	Stainless Steel Mesh Bucket Liner
-VP	Secured Grate, Vandal-Proof Screws	-92	Galvanized Cast Iron Parts
-19	C.I. Undergrate with Satin Finish Nikaloy Top	OUTLETS:	
-20	C.I. Undergrate with Satin Finish Bronze Top	-66	No-Hub Side Outlet, 3" - 6"
-C	Bolted Flashing Clamp Device	-T	Threaded Outlet
		-X	Inside Caulk Outlet

1-1/16" SQ. HOLES.



○ ADD 1/4" WHEN FURNISHED WITH NIKALOY OR BRONZE TOP.

FOR OUTLET TYPE SPECIFY -T or -X

TYPE NO.	PIPE SIZE	E	F	LBS.
34923	3	14-3/4	16-7/8	253
34924	4	14-3/4	16-3/4	253
34925	5	15	16-7/8	253
34926	6	15	17-3/4	253
34928	8	15-1/4	17-3/4	253

35100 SERIES

8" SQUARE TOP

APPLICATION

For use in heavy traffic areas, such as warehouses and storage rooms, for any type of floor construction where a square top complements construction or floor finish and where a small to medium flow of liquid is anticipated.

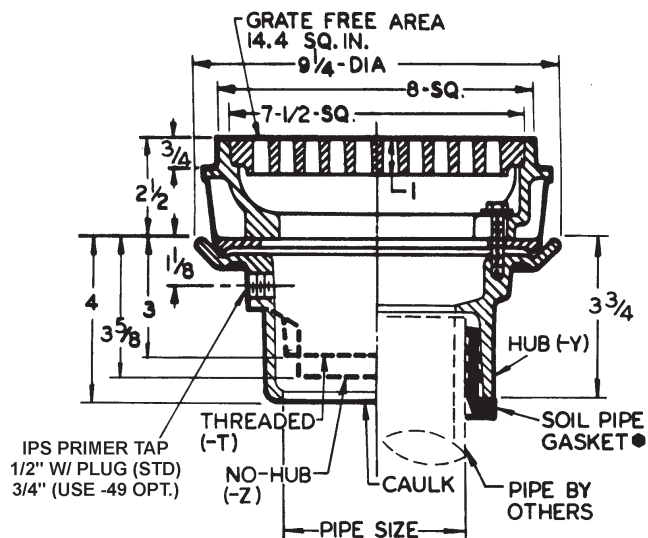
SPECIFICATION

JOSAM 35100 Series coated cast iron Floor Drain, two-piece body with double drainage flange and 1/2" primer tap with plug, WEJLOC® non-puncturing flashing collar, weepholes, bottom outlet, square top and heavy-duty, loose-set grate.

Available Options

-1	Satin Finish Nikaloy Top	OUTLETS:	
-2	Satin Finish Bronze Top	-TSO	Threaded Side Outlet
-7	Ductile Iron Grate	-T	Threaded Outlet
-15	Chained Grate	-X	Inside Caulk Outlet
-49	3/4" Primer Tap	-Y	Hub Outlet with Gasket
	1/2" Primer Tap, Std.	-Z	No-Hub Outlet
-92	Galvanized Cast Iron Parts		
-ARE	Acid-Resisting Epoxy		

SLOT WIDTH 3/8"



● CONFORMS WITH ASTM-C564.

FOR OUTLET TYPE SPECIFY -T, -X, -Y or -Z

TYPE NO.	PIPE SIZE	LBS.
35102	2	36
35103	3	36
35104	4	36