

55000 SERIES

LEVELEZE® KLEENATRON® II SPECIAL-DUTY

APPLICATION

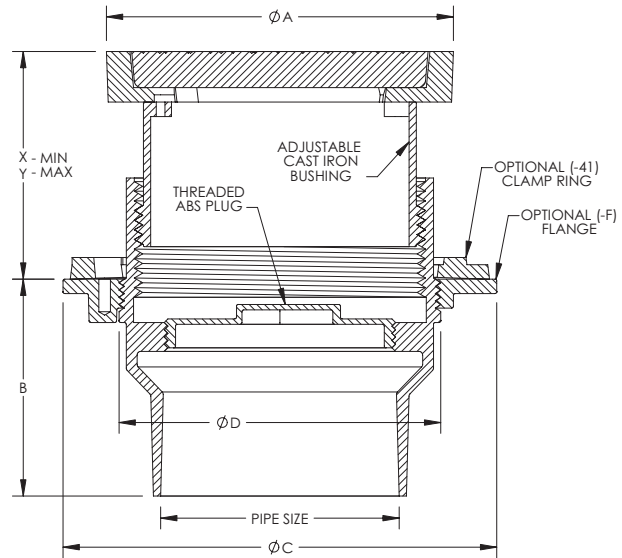
For use in finished or unfinished floors subject to heavy wheel traffic such as warehouses, loading docks and warehouse stores. Top design allows for unimpaired adjustment even as the floor is being poured.

SPECIFICATION

JOSAM 55000 Series coated cast iron LEVELEZE® KLEENATRON® II Floor Cleanout, internal ABS cleanout plug, adjustable cast iron housing with special-duty scoriated secured round cast iron cover.

Available Options

- | | |
|---|--|
| ▼ -1 Satin Finish Nikaloy Top | -SS-SQ Square Top, Stainless Steel |
| ▼ -1-SD Special-Duty Satin Finish Nikaloy Top | ▼ -5 Ductile Iron Top |
| ▼ -1-5Q Square Top, Satin Finish Nikaloy | -14 Carpet Cleanout Marker |
| ▼ -1-12 Cover Recessed for Tile, Satin Finish Nikaloy | -VP Secured Cover, Vandal-Proof Screws |
| ▼ -1-13 Terrazzo Tile Cover, Satin Finish Nikaloy | -22 Taper Thread Bronze Plug |
| -2 Satin Finish Bronze Top | -31 Galvanized Cast Iron Parts |
| -2-SD Special-Duty Satin Finish Bronze Top | -41 Clamp Ring and Flange |
| -2-5Q Square Top, Satin Finish Bronze | -F Flange Only |
| -2-12 Cover Recessed for Tile, Satin Finish Bronze | -WF Wide Flange (not available on CI) |
| -2-13 Terrazzo Tile Cover, Satin Finish Bronze | -CFC Carpet Cleanout Flange Cover |
| -SS Stainless Steel Top | |
- OUTLETS:**
- | |
|-------------------------------|
| -X Inside Caulk Outlet |
| -Y Hub Outlet w/Gasket, 2"-4" |
| -Z No-Hub Outlet |



* FLANGE STANDARD ON 4" -X AND 6" SIZES.

FOR OUTLET TYPE SPECIFY -X, -Y or -Z

TYPE NO.	PIPE SIZE	A	B	C*	D	X	Y	LBS.
55002	2	6	3-3/4	7-1/2	5-9/16	2-3/4	4-1/4	15
55003	3	6	3-3/4	7-1/2	5-9/16	2-3/4	4-1/4	15
55004	4	6	3-3/4	7-1/2	5-9/16	2-3/4	4-1/4	16
55004-X	4	7-1/2	4-1/4	9-3/16	7	2-5/8	4-5/16	18
55005-Z	5	6	3-3/4	7-1/2	5-9/16	2-3/4	4-1/4	16
55006-Z	6	7-1/2	4-1/4	9-3/16	7	2-5/8	4-5/16	18

55000-1 SERIES

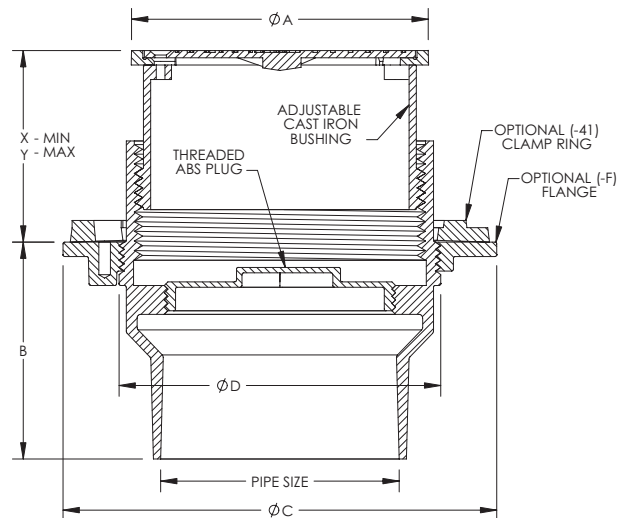
with -1 Nikaloy Top

APPLICATION

For use in finished floors subject to pedestrian and light wheel traffic such as schools, hospitals and shopping malls. Top design allows for unimpaired adjustment even as the floor is being poured.

SPECIFICATION

JOSAM 55000-1 Series coated cast iron LEVELEZE® KLEENATRON® II Floor Cleanout, internal ABS cleanout plug, adjustable cast iron housing with medium-duty scoriated secured round satin Nikaloy cover.



* FLANGE STANDARD ON 4" -X AND 6" SIZES.

FOR OUTLET TYPE SPECIFY -X, -Y or -Z

TYPE NO.	PIPE SIZE	A	B	C*	D	X	Y	LBS.
55002-1	2	5-1/8	3-3/4	7-1/2	5-9/16	2-1/8	3-5/8	12
55003-1	3	5-1/8	3-3/4	7-1/2	5-9/16	2-1/8	3-5/8	12
55004-1	4	5-1/8	3-3/4	7-1/2	5-9/16	2-1/8	3-5/8	13
55004-1-X	4	6-5/8	4-1/4	9-3/16	7	2	3-11/16	14
55005-1-Z	5	5-1/8	3-3/4	7-1/2	5-9/16	2-1/8	3-5/8	12
55006-1-Z	6	6-5/8	4-1/4	9-3/16	7	2	3-11/16	14

55000-5 SERIES with -5 Ductile Iron Top

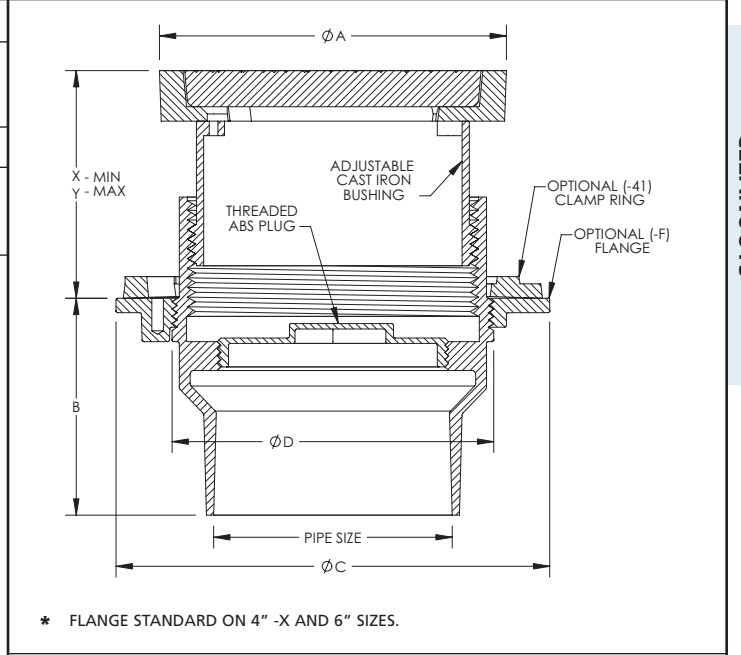
APPLICATION

For use in finished or unfinished floors subject to heavy wheel traffic or impact loads, such as warehouses, loading docks and warehouse stores. Top design allows for unimpaired adjustment even as the floor is being poured.

SPECIFICATION

JOSAM 55000-5 Series coated cast iron LEVELEZE® KLEENATRON® II Floor Cleanout, internal ABS cleanout plug, adjustable cast iron housing with special-duty scoriated secured round ductile iron cover.

OPTION N/A:
-WF



FOR OUTLET TYPE SPECIFY -X, -Y or -Z

TYPE NO.	PIPE SIZE	A	B	C*	D	X	Y	LBS.
55002-5	2	6	3-3/4	7-1/2	5-9/16	2-3/4	4-1/4	15
55003-5	3	6	3-3/4	7-1/2	5-9/16	2-3/4	4-1/4	15
55004-5	4	6	3-3/4	7-1/2	5-9/16	2-3/4	4-1/4	16
55004-5-X	4	7-1/2	4-1/4	9-3/16	7	2-5/8	4-5/16	18
55005-5-Z	5	6	3-3/4	7-1/2	5-9/16	2-3/4	4-1/4	16
55006-5-Z	6	7-1/2	4-1/4	9-3/16	7	2-5/8	4-5/16	18

55000-1-SD SERIES with -1-SD Nikaloy Special-Duty Top

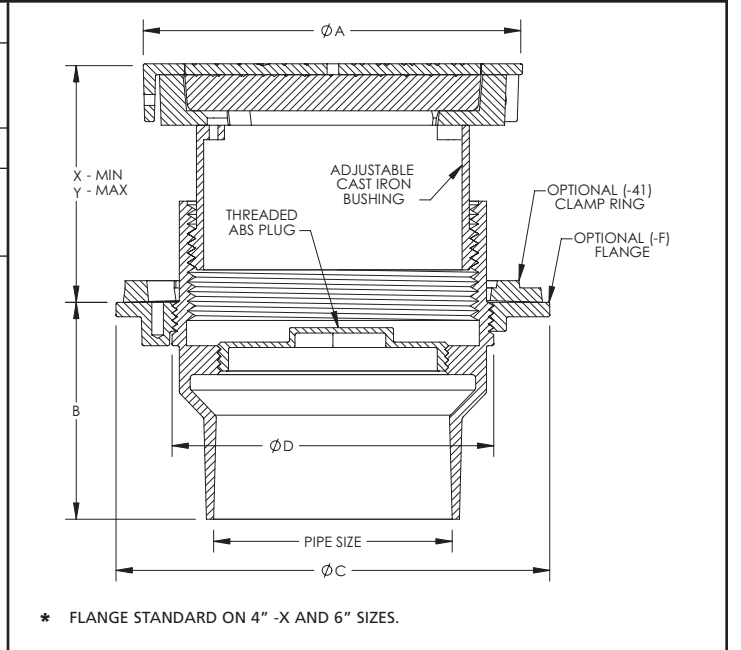
APPLICATION

For use in finished or unfinished floors subject to heavy wheel traffic or impact loads, such as warehouses, loading docks and warehouse stores. Top design allows for unimpaired adjustment even as the floor is being poured.

SPECIFICATION

JOSAM 55000-1-SD Series coated cast iron LEVELEZE® KLEENATRON® II Floor Cleanout, internal ABS cleanout plug, adjustable cast iron housing with special-duty scoriated secured round laminated satin Nikaloy cover.

OPTION N/A:
-WF



FOR OUTLET TYPE SPECIFY -X, -Y or -Z

TYPE NO.	PIPE SIZE	A	B	C*	D	X	Y	LBS.
55002-1-SD	2	6-9/16	3-3/4	7-1/2	5-9/16	3	4-1/2	16
55003-1-SD	3	6-9/16	3-3/4	7-1/2	5-9/16	3	4-1/2	16
55004-1-SD	4	6-9/16	3-3/4	7-1/2	5-9/16	3	4-1/2	17
55004-1-SD-X	4	8-3/16	4-1/4	9-3/16	7	2-7/8	4-9/16	19
55005-1-SD-Z	5	6-9/16	3-3/4	7-1/2	5-9/16	3	4-1/2	17
55006-1-SD-Z	6	8-3/16	4-1/4	9-3/16	7	2-7/8	4-9/16	19

55000-1-SQ SERIES

with -1-SQ Nikaloy Square Top

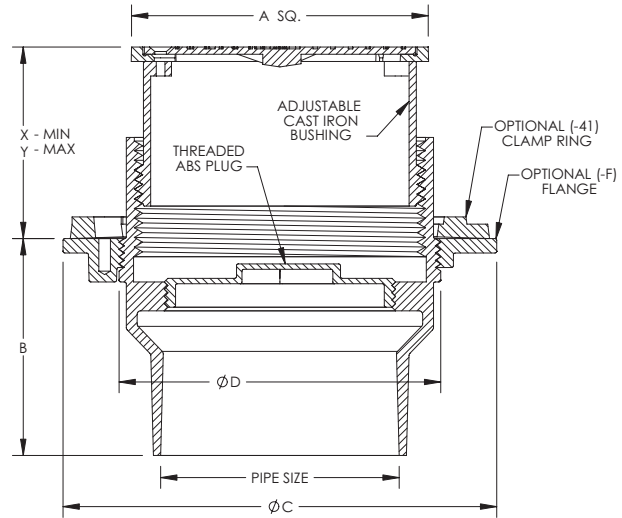
APPLICATION

For use in finished floors subject to pedestrian and light wheel traffic such as schools, hospitals and shopping malls where a square top complements construction or floor finish. Top design allows for unimpaired adjustment even as the floor is being poured.

SPECIFICATION

JOSAM 55000-1-SQ Series coated cast iron LEVELEZE® KLEENATRON® II Floor Cleanout, internal ABS cleanout plug, adjustable cast iron housing with medium-duty scoriated secured square satin Nikaloy cover.

OPTION N/A:
-WF



* FLANGE STANDARD ON 4" -X AND 6" SIZES.

FOR OUTLET TYPE SPECIFY -X, -Y or -Z

TYPE NO.	PIPE SIZE	A	B	C*	D	X	Y	LBS.
55002-1-SQ	2	5-3/8	3-3/4	7-1/2	5-9/16	2-1/8	3-5/8	13
55003-1-SQ	3	5-3/8	3-3/4	7-1/2	5-9/16	2-1/8	3-5/8	13
55004-1-SQ	4	5-3/8	3-3/4	7-1/2	5-9/16	2-1/8	3-5/8	14
55004-1-SQ-X	4	7	4-1/4	9-3/16	7	2	3-11/16	16
55005-1-SQ-Z	5	5-3/8	3-3/4	7-1/2	5-9/16	2-1/8	3-5/8	14
55006-1-SQ-Z	6	7	4-1/4	9-3/16	7	2	3-11/16	16

55000-1-12 SERIES

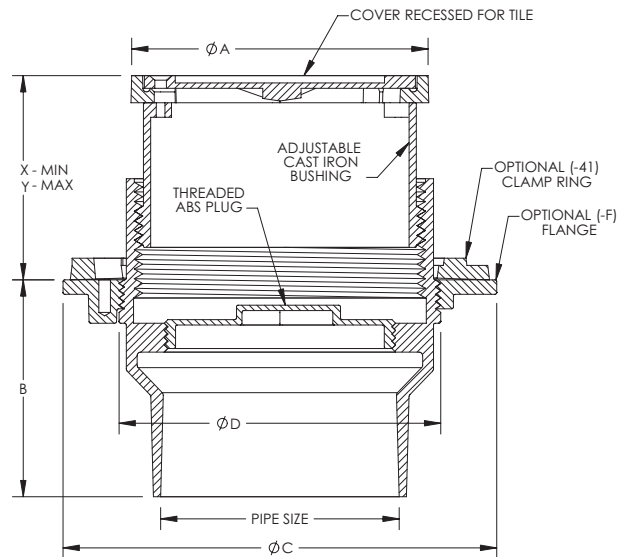
with -1-12 Nikaloy Top Recessed for Tile

APPLICATION

For use in finished floors subject to pedestrian and light wheel traffic such as schools, hospitals and shopping malls where the recessed cover accepts matching tile to complement floor finish. Top design allows for unimpaired adjustment even as the floor is being poured.

SPECIFICATION

JOSAM 55000-1-12 Series coated cast iron LEVELEZE® KLEENATRON® II Floor Cleanout, internal ABS cleanout plug, adjustable cast iron housing with medium-duty scoriated secured round satin Nikaloy cover recessed for tile.



* FLANGE STANDARD ON 4" -X AND 6" SIZES.

FOR OUTLET TYPE SPECIFY -X, -Y or -Z

TYPE NO.	PIPE SIZE	A	B	C*	D	X	Y	LBS.
55002-1-12	2	5-1/8	3-3/4	7-1/2	5-9/16	2-1/8	3-5/8	12
55003-1-12	3	5-1/8	3-3/4	7-1/2	5-9/16	2-1/8	3-5/8	12
55004-1-12	4	5-1/8	3-3/4	7-1/2	5-9/16	2-1/8	3-5/8	13
55004-1-12-X	4	6-5/8	4-1/4	9-3/16	7	2	3-11/16	14
55005-1-12-Z	5	5-1/8	3-3/4	7-1/2	5-9/16	2-1/8	3-5/8	12
55006-1-12-Z	6	6-5/8	4-1/4	9-3/16	7	2	3-11/16	14

55000-1-13 SERIES with -1-13 Terrazzo Tile Cover

APPLICATION	
For use in finished floors subject to pedestrian and light wheel traffic such as schools, hospitals and shopping malls where the recessed cover accepts terrazzo flooring. Top design allows for unimpaired adjustment even as the floor is being poured.	
SPECIFICATION	
JOSAM 55000-1-13 Series coated cast iron LEVELEZE® KLEENATRON® II Floor Cleanout, internal ABS cleanout plug, adjustable cast iron housing with medium-duty scoriated secured round satin Nikaloy cover recessed for terrazzo flooring.	
OPTION N/A: -WF	

FOR OUTLET TYPE SPECIFY -X, -Y or -Z								
TYPE NO.	PIPE SIZE	A	B	C*	D	X	Y	LBS.
55002-1-13	2	5-1/4	3-3/4	7-1/2	5-9/16	2-7/8	4-3/8	15
55003-1-13	3	5-1/4	3-3/4	7-1/2	5-9/16	2-7/8	4-3/8	15
55004-1-13	4	5-1/4	3-3/4	7-1/2	5-9/16	2-7/8	4-3/8	16
55004-1-13-X	4	7	4-1/4	9-3/16	7	2-3/4	4-7/16	18
55005-1-13-Z	5	5-1/4	3-3/4	7-1/2	5-9/16	2-7/8	4-3/8	16
55006-1-13-Z	6	7	4-1/4	9-3/16	7	2-3/4	4-7/16	18

56670 SERIES SPANNER TYPE FLOOR CLEANOUT

APPLICATION	
For use in finished floors subject to pedestrian or light wheel traffic where direct access to drain or waste line is desired. A threaded flanged plug maintains the gas and watertight seal and is removable by the use of a spanner wrench.	
SPECIFICATION	
JOSAM 56670 Series round cast Nikaloy Floor Cleanout, inside caulk connection, and threaded satin scoriated round cover with spanner wrench sockets.	
Available Options	
-2 Satin Finish Bronze Top -11 Smooth Top -14 Carpet Cleanout Marker -24 Spanner Wrench OUTLET: -X Inside Caulk Outlet	

FOR OUTLET TYPE SPECIFY -X					
TYPE NO.	PIPE SIZE	B	C	E	LBS.
56672	2	3-3/8	5-3/8	3-1/4	3
56673	3	5-1/2	7-3/8	3-1/4	6
56674	4	5-1/2	7-3/8	3-1/4	6
56675	5	7-3/4	9-3/8	3-1/2	9
56676	6	7-3/4	9-1/2	3-5/8	10