

## 55000-1-13 SERIES with -1-13 Terrazzo Tile Cover

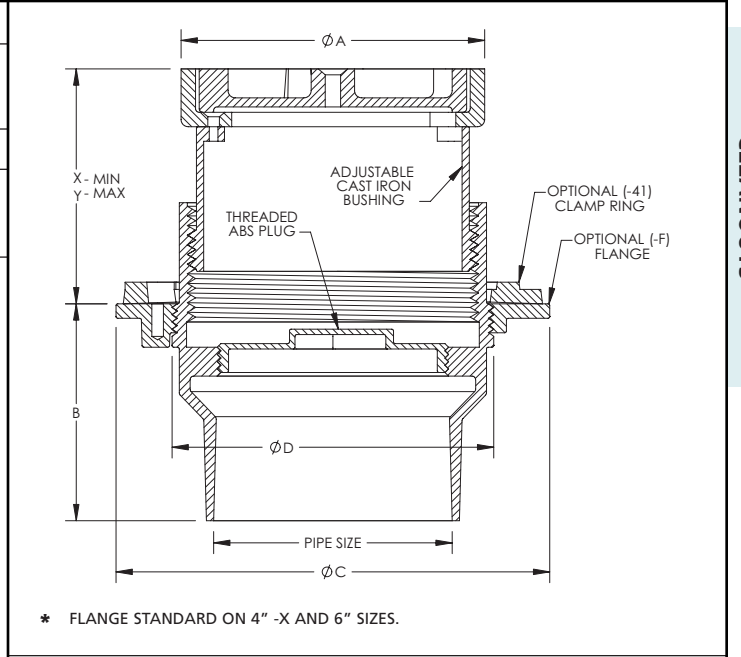
**APPLICATION**

For use in finished floors subject to pedestrian and light wheel traffic such as schools, hospitals and shopping malls where the recessed cover accepts terrazzo flooring. Top design allows for unimpaired adjustment even as the floor is being poured.

**SPECIFICATION**

JOSAM 55000-1-13 Series coated cast iron LEVELEZE® KLEENATRON® II Floor Cleanout, internal ABS cleanout plug, adjustable cast iron housing with medium-duty scoriated secured round satin Nikaloy cover recessed for terrazzo flooring.

**OPTION N/A:**  
-WF



FOR OUTLET TYPE SPECIFY -X, -Y or -Z

TYPE NO.	PIPE SIZE	A	B	C*	D	X	Y	LBS.
55002-1-13	2	5-1/4	3-3/4	7-1/2	5-9/16	2-7/8	4-3/8	15
55003-1-13	3	5-1/4	3-3/4	7-1/2	5-9/16	2-7/8	4-3/8	15
55004-1-13	4	5-1/4	3-3/4	7-1/2	5-9/16	2-7/8	4-3/8	16
55004-1-13-X	4	7	4-1/4	9-3/16	7	2-3/4	4-7/16	18
55005-1-13-Z	5	5-1/4	3-3/4	7-1/2	5-9/16	2-7/8	4-3/8	16
55006-1-13-Z	6	7	4-1/4	9-3/16	7	2-3/4	4-7/16	18

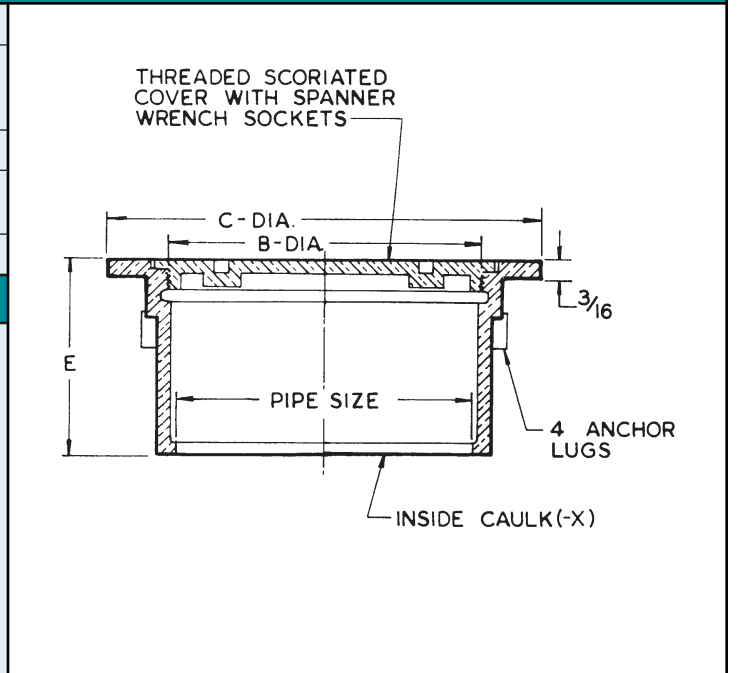
## 56670 SERIES SPANNER TYPE FLOOR CLEANOUT

**APPLICATION**

For use in finished floors subject to pedestrian or light wheel traffic where direct access to drain or waste line is desired. A threaded flanged plug maintains the gas and watertight seal and is removable by the use of a spanner wrench.

**SPECIFICATION**

JOSAM 56670 Series round cast Nikaloy Floor Cleanout, inside caulk connection, and threaded satin scoriated round cover with spanner wrench sockets.



### Available Options

- 2 Satin Finish Bronze Top
- 11 Smooth Top
- 14 Carpet Cleanout Marker
- 24 Spanner Wrench

**OUTLET:**

- X Inside Caulk Outlet

FOR OUTLET TYPE SPECIFY -X

TYPE NO.	PIPE SIZE	B	C	E	LBS.
56672	2	3-3/8	5-3/8	3-1/4	3
56673	3	5-1/2	7-3/8	3-1/4	6
56674	4	5-1/2	7-3/8	3-1/4	6
56675	5	7-3/4	9-3/8	3-1/2	9
56676	6	7-3/4	9-1/2	3-5/8	10