

57008-Z-CI SERIES

LEVELEZE® KLEENATRON®

APPLICATION

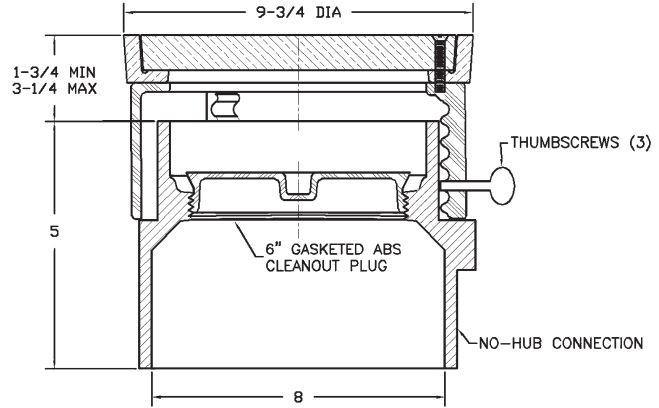
For use in finished or unfinished floors subject to heavy wheel traffic such as warehouses, loading docks and warehouse stores. Top design allows for unimpaired adjustment even as the floor is being poured.

SPECIFICATION

JOSAM 57008-Z-CI Series coated cast iron LEVELEZE® KLEENATRON® Floor Cleanout, internal gasketed ABS cleanout plug and adjustable ABS housing with special-duty scoriated secured round cast iron top.

Available Options

▼ -1 Satin Finish Nikaloy Top	-14 Carpet Cleanout Marker
▼ -1-SD Special-Duty SF Nikaloy Top	-VP Secured Cover, VP Screws
▼ -1-SQ Square Top, SF Nikaloy	-22 Taper Thread Bronze Plug
▼ -1-12 Cover Recessed for Tile, Satin Finish Nikaloy	-31 Galvanized Cast Iron Parts
-2 Satin Finish Bronze Top	-WF Wide Flange (N/A on C.I.)
-2-SD Special-Duty SF Bronze Top	-CFC Carpet Cleanout Flange Cover
-2-SQ Square Top, SF Bronze	OUTLET:
-2-12 Cover Recessed for Tile, Satin Finish Bronze	-Z No-Hub Outlet



FOR OUTLET TYPE SPECIFY -Z

TYPE NO.	PIPE SIZE	LBS.
57008-Z-CI	8	25

57008-Z-1 SERIES

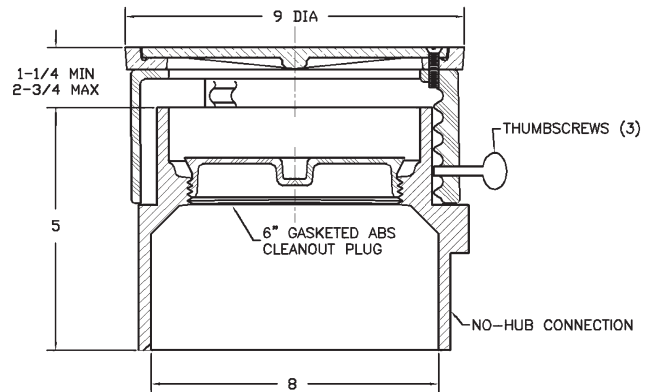
with -1 Nikaloy Top

APPLICATION

For use in finished floors subject to pedestrian and light wheel traffic such as schools, hospitals and shopping malls. Top design allows for unimpaired adjustment even as the floor is being poured.

SPECIFICATION

JOSAM 57008-Z-1 Series coated cast iron LEVELEZE® KLEENATRON® Floor Cleanout, internal gasketed ABS cleanout plug, no-hub connection, and adjustable ABS housing with medium-duty scoriated secured round satin Nikaloy top.



FOR OUTLET TYPE SPECIFY -Z

TYPE NO.	PIPE SIZE	LBS.
57008-Z-1	8	18

57008-Z-1-SD SERIES

with -1-SD Special-Duty Nikaloy Top

APPLICATION

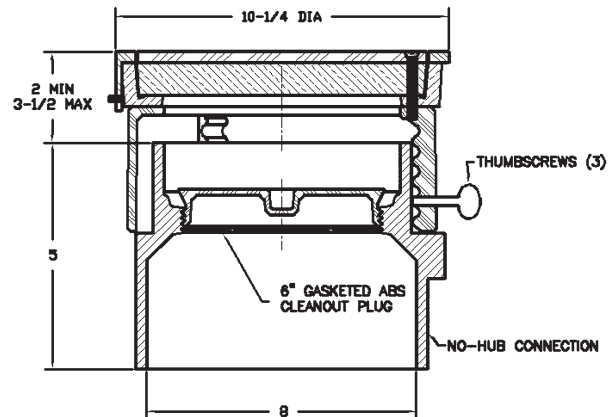
For use in finished or unfinished floors subject to heavy wheel traffic such as warehouses, loading docks and warehouse stores. Top design allows for unimpaired adjustment even as the floor is being poured.

SPECIFICATION

JOSAM 57008-Z-1-SD Series coated cast iron LEVELEZE® KLEENATRON® Floor Cleanout, internal gasketed ABS cleanout plug, no-hub connection and adjustable ABS housing with special-duty scoriated secured round laminated satin Nikaloy top.

OPTION N/A

-SQ



FOR OUTLET TYPE SPECIFY -Z

TYPE NO.	PIPE SIZE	LBS.
57008-Z-1-SD	8	31

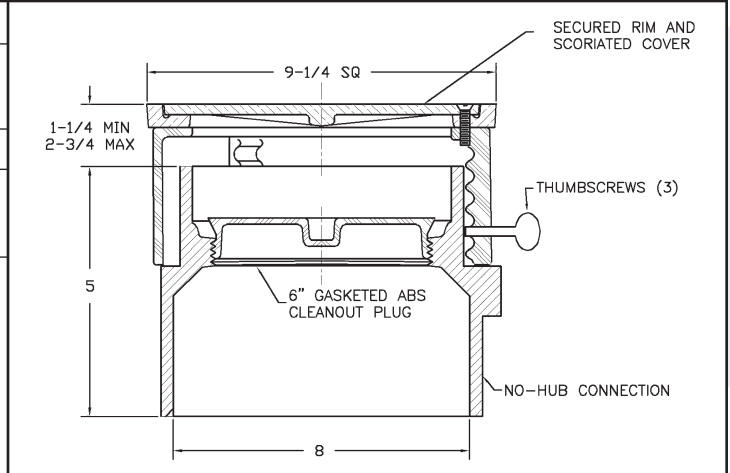
57008-Z-1-SQ SERIES with -1-SQ Nikaloy Square Top

APPLICATION

For use in finished floors subject to pedestrian and light wheel traffic such as schools, hospitals and shopping malls where a square top complements construction or floor finish. Top design allows for unimpaired adjustment even as the floor is being poured.

SPECIFICATION

JOSAM 57008-Z-1-SQ Series coated cast iron LEVELEZE® KLEENATRON® Floor Cleanout, internal gasketed ABS cleanout plug, no-hub connection, and adjustable ABS housing with medium-duty scoriated secured square satin Nikaloy top.



FOR OUTLET TYPE SPECIFY -Z		
TYPE NO.	PIPE SIZE	LBS.
57008-Z-1-SQ	8	19

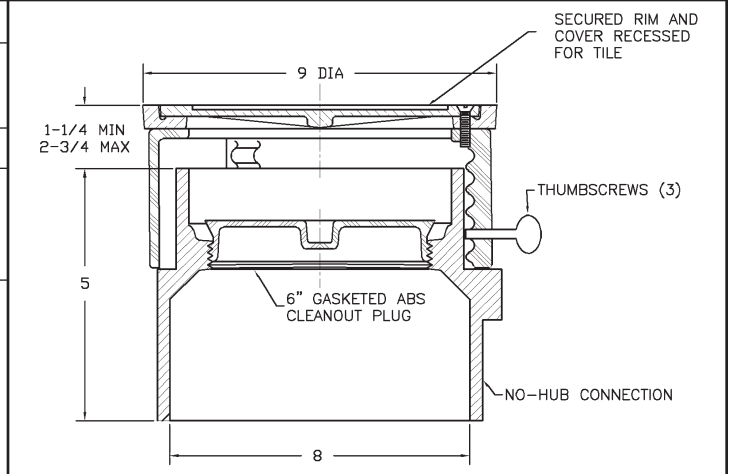
57008-Z-1-12 SERIES with -1-12 Nikaloy Top Recessed for Tile

APPLICATION

For use in finished floors subject to pedestrian and light wheel traffic such as schools, hospitals and shopping malls. Top design allows for unimpaired adjustment even as the floor is being poured.

SPECIFICATION

JOSAM 57008-Z-1-12 Series coated cast iron LEVELEZE® KLEENATRON® Floor Cleanout, internal gasketed ABS cleanout plug, no-hub connection, and adjustable ABS housing with medium-duty scoriated secured round satin Nikaloy cover recessed for tile.



FOR OUTLET TYPE SPECIFY -Z		
TYPE NO.	PIPE SIZE	LBS.
57008-Z-1-12	8	19

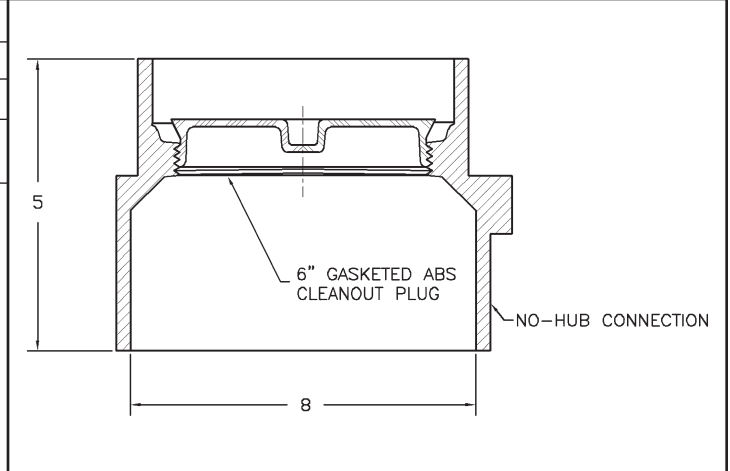
57008-Z-LT SERIES with -LT Less Top

APPLICATION

For use in unfinished areas not subject to traffic.

SPECIFICATION

JOSAM 57008-Z-LT Series coated cast iron Cleanout Ferrule, no-hub connection and gasketed ABS cleanout plug.



FOR OUTLET TYPE SPECIFY -Z		
TYPE NO.	PIPE SIZE	LBS.
57008-Z-LT	8	11