

## 58600 SERIES

## WALL ACCESS COVER

### APPLICATION

For use in finished walls to conceal cleanout fittings.

### SPECIFICATION

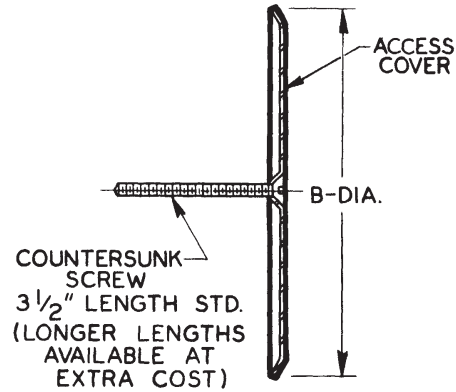
JOSAM 58600 Series round stainless steel Wall Access Cover with screw.

### Available Options

-VP	Secured Cover, Vandal-Proof Screws	-PLG6	Bronze NPT Plug, 6"
-17	Center Screw Longer than Standard	-20	* Raised Head Bronze Plug
-PLG1-1/2	Bronze NPT Plug, 1-1/2"	-CO2	No-Hub Cleanout, 2"
-PLG2	Bronze NPT Plug, 2"	-CO3	No-Hub Cleanout, 3"
-PLG2-1/2	Bronze NPT Plug, 2-1/2"	-CO4	No-Hub Cleanout, 4"
-PLG3	Bronze NPT Plug, 3"	-CO6	No-Hub Cleanout, 6"
-PLG3-1/2	Bronze NPT Plug, 3-1/2"	-31	** Galv. Cast Iron Parts
-PLG4	Bronze NPT Plug, 4"	-COT2	No-Hub Cleanout Tee, 2"
-PLG5	Bronze NPT Plug, 5"	-COT3	No-Hub Cleanout Tee, 3"
		-COT4	No-Hub Cleanout Tee, 4"
		-COT6	No-Hub Cleanout Tee, 6"

\* Specify -PLG

\*\* Specify -CO or -COT



TYPE NO.	B	LBS.
58604	5-3/8	1
58606	7-5/8	1
58608	10-5/8	1

## 58610 SERIES

## WALL OR FLOOR ACCESS COVER

### APPLICATION

For use in finished walls or floors subject to pedestrian or light wheel traffic, to provide access to cleanout plugs, valves, controls or other equipment.

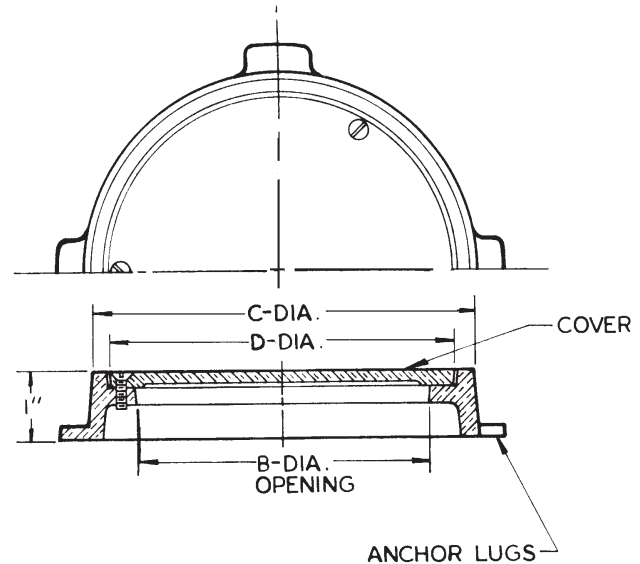
### SPECIFICATION

JOSAM 58610 Series round cast Nikaloy Access Frame with anchor lugs and satin smooth secured cover.

### Available Options

-2	Satin Finish Bronze Top
-10	Scoriated Cover
-14	Carpet Cleanout Marker
-VP	Secured Cover, Vandal-Proof Screws
-CO2	No-Hub Cleanout, 2"
-CO3	No-Hub Cleanout, 3"
-CO4	No-Hub Cleanout, 4"
-CO6	No-Hub Cleanout, 6"
-20	** Raised Head Bronze Plug
-31	** Galvanized Cast Iron Parts
-COT2	No-Hub Cleanout Tee, 2"
-COT3	No-Hub Cleanout Tee, 3"
-COT4	No-Hub Cleanout Tee, 4"
-COT6	No-Hub Cleanout Tee, 6"

\*\* Specify -CO or -COT



TYPE NO.	PIPE SIZE	B	C	D	LBS.
58614	2, 3, 4	4-5/8	6	5-1/2	4
58616	5, 6	6-3/4	8-1/4	7-3/4	7
58618	8	9-3/8	10-7/8	10-3/8	10

**58680 SERIES ACCESS COVER**

**APPLICATION**

For use in finished or unfinished floors, inside or outdoors, subject to heavy wheel traffic, such as parking lots, warehouses or industrial areas. To provide access to cleanout plugs, valves, controls or other equipment.

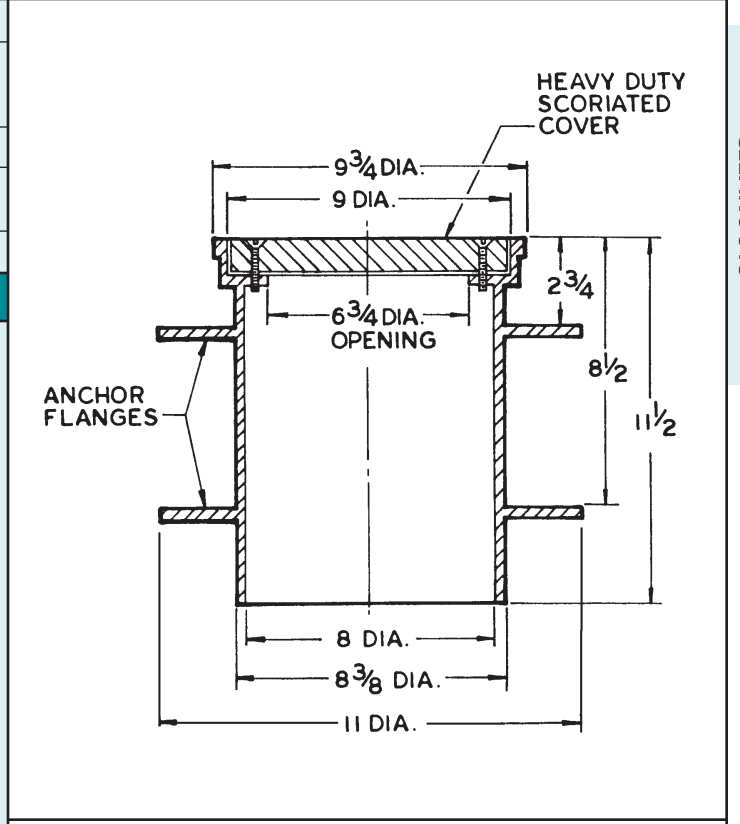
**SPECIFICATION**

JOSAM 58680 Series round coated cast iron Access Frame with anchor flanges and heavy-duty scoriated secured cover.

**Available Options**

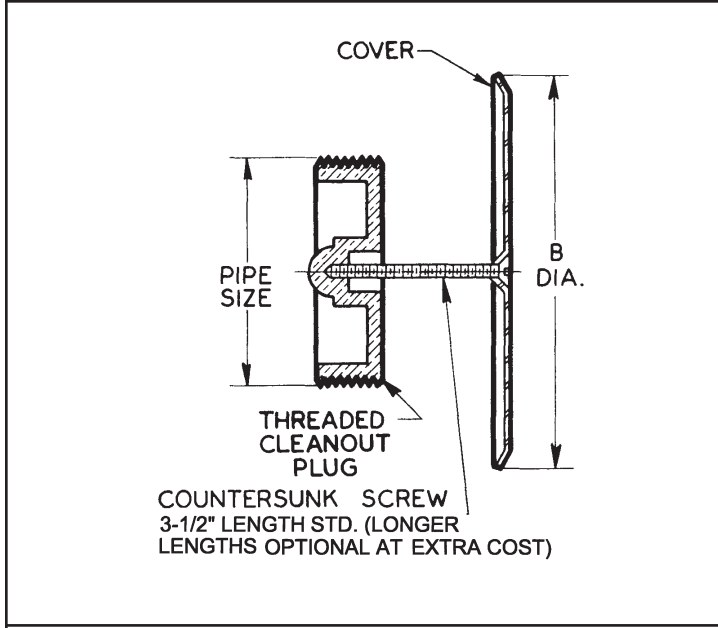
- 5 Ductile Iron Cover
- VP Secured Cover, Vandal-Proof Screws
- 26 Gasketed Cover
- 31 Galvanized Cast Iron Parts
- CO2 No-Hub Cleanout, 2"
- CO3 No-Hub Cleanout, 3"
- CO4 No-Hub Cleanout, 4"
- CO6 No-Hub Cleanout, 6"
- 20 Raised Head Bronze Plug

*Special Wording on Cover, SAN. or STORM, (Specify On Order)*



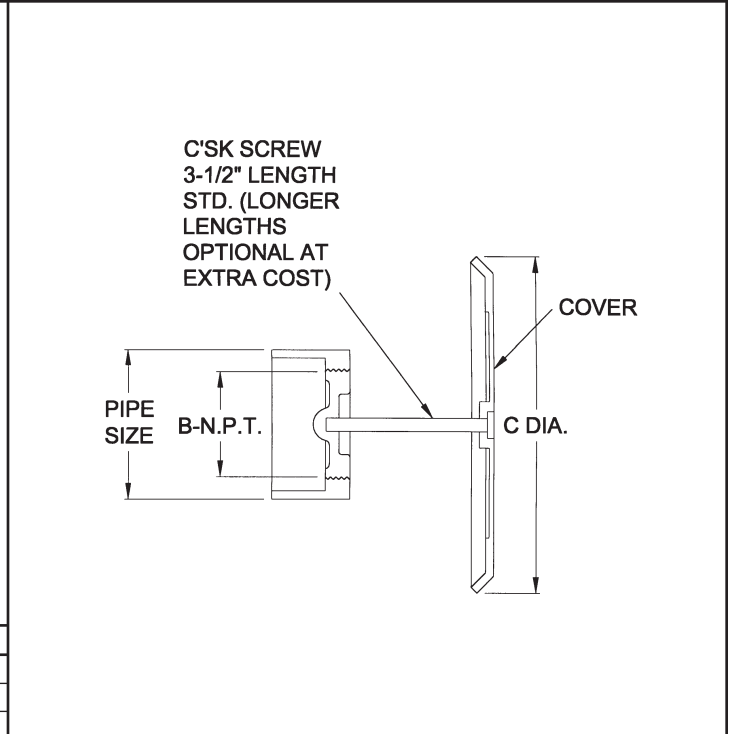
TYPE NO.	LBS.
58680	37

**58600-PLG SERIES**



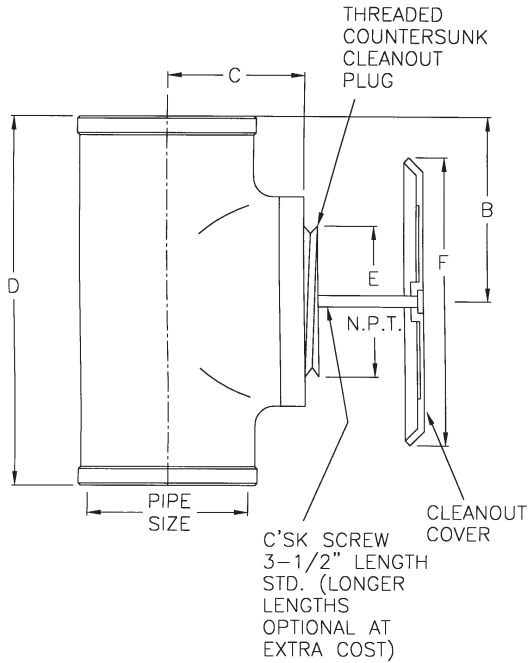
TYPE NO	PIPE SIZE	B	LBS.
58604-PLG1-1/2	1-1/2	5-3/8	1
58604-PLG2	2	5-3/8	1
58604-PLG2-1/2	2-1/2	5-3/8	1
58604-PLG3	3	5-3/8	1
58604-PLG3-1/2	3-1/2	5-3/8	1
58606-PLG4	4	7-5/8	2
58606-PLG5	5	7-5/8	3
58606-PLG6	6	7-5/8	4

**58600-CO SERIES**

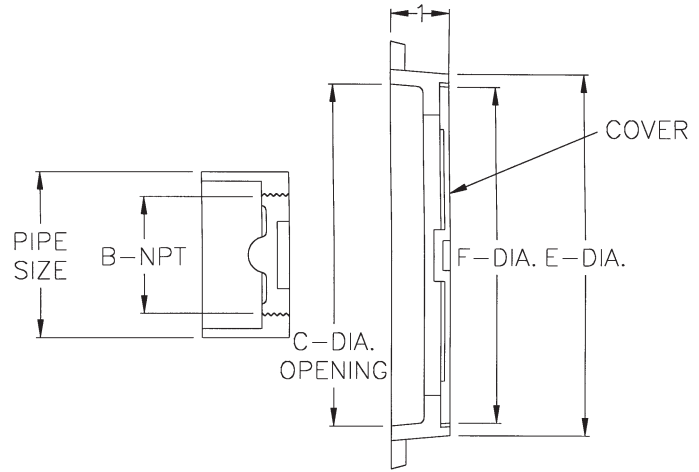


TYPE NO.	PIPE SIZE	B	C	LBS.
58604-CO2	2	1-1/2	5-3/8	6
58604-CO3	3	2-1/2	5-3/8	7
58604-CO4	4	3-1/2	5-3/8	9
58606-CO6	6	5-1/2	7-5/8	26

## 58600-COT SERIES



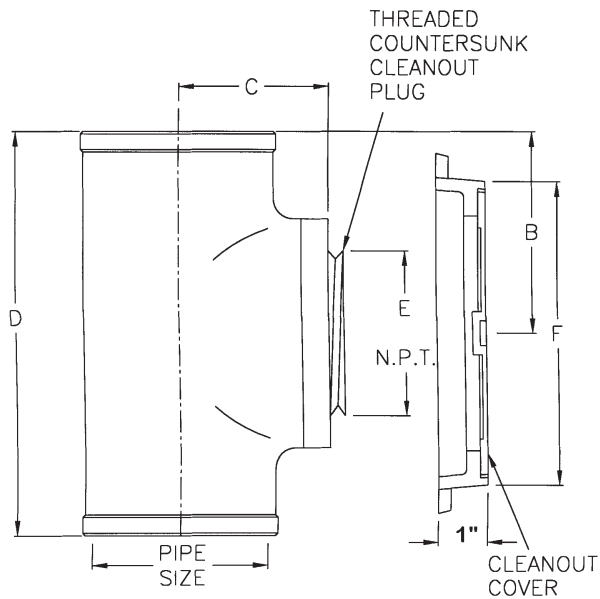
## 58610-CO SERIES



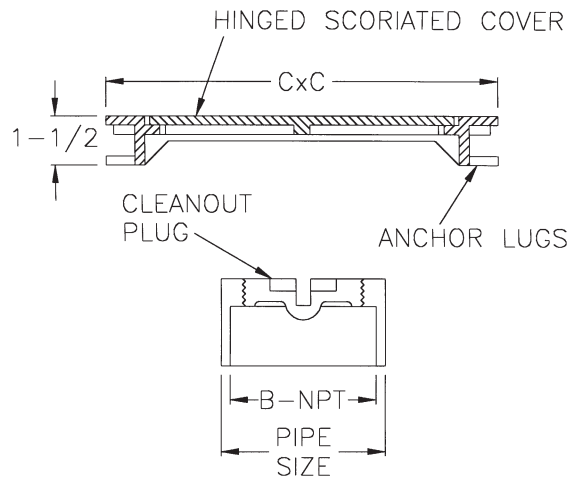
TYPE NO.	PIPE SIZE	B	C	D	E	F	LBS.
58604-COT2	2	4-1/4	1-3/4	6-3/8	2	5-3/8	11
58604-COT3	3	5-1/4	2-1/2	7-3/4	3	5-3/8	14
58604-COT4	4	6	3-1/2	8-7/8	4	5-3/8	20
58608-COT6	6	7	4-1/2	12-1/2	6	10-5/8	34

TYPE NO.	PIPE SIZE	B	C	E	F	LBS.
58614-CO2	2	1-1/2	4-5/8	6	5-1/2	6
58614-CO3	3	2-1/2	4-5/8	6	5-1/2	7
58614-CO4	4	3-1/2	4-5/8	6	5-1/2	9
58616-CO6	6	5-1/2	6-3/4	8-1/4	7-3/4	15

## 58610-COT SERIES



## 58630-CO SERIES



TYPE NO.	PIPE SIZE	B	C	D	E	F	LBS.
58614-COT2	2	4-1/4	1-3/4	6-3/8	2	6	13
58614-COT3	3	5-1/4	3-1/2	7-3/4	3	6	16
58614-COT4	4	6	3-1/2	8-7/8	4	6	22
58616-COT6	6	7	4-1/2	12-1/2	6	8-1/4	37

TYPE NO.	PIPE SIZE	B	C X C	LBS.
58631-CO2	2	1-1/2	8 x 8	9
58631-CO3	3	2-1/2	8 x 8	9
58631-CO4	4	3-1/2	8 x 8	11
58632-CO6	6	5-1/2	12 x 12	20