

## 58620 SERIES WALL OR FLOOR ACCESS COVER

### APPLICATION

For use in finished walls or floors subject to pedestrian or light wheel traffic, to provide access to cleanout plugs, valves, controls or other equipment. Hinged cover allows for easy access.

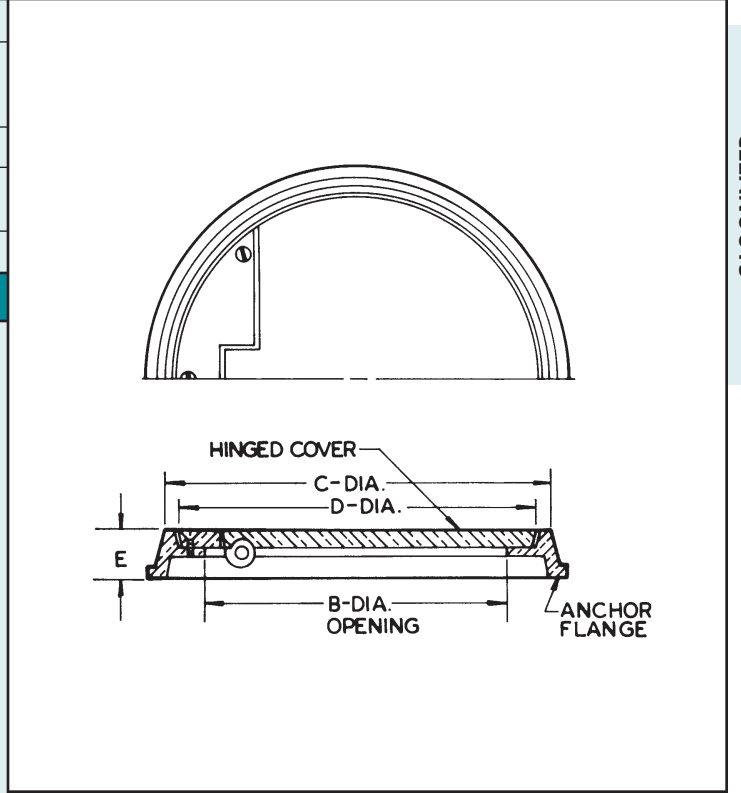
### SPECIFICATION

JOSAM 58620 Series round cast Nikaloy Access Frame with anchor flange and satin smooth hinged cover.

### Available Options

-2	Satin Finish Bronze Top	-C06	No-Hub Cleanout, 6"
-10	Scoriated Cover	-20	** Raised Head Bronze Plug
-14	Carpet Cleanout Marker	-31	** Galvanized Cast Iron Parts
-VP	Secured Cover, Vandal-Proof Screws	-COT2	No-Hub Cleanout Tee, 2"
-C02	No-Hub Cleanout, 2"	-COT3	No-Hub Cleanout Tee, 3"
-C03	No-Hub Cleanout, 3"	-COT4	No-Hub Cleanout Tee, 4"
-C04	No-Hub Cleanout, 4"	-COT6	No-Hub Cleanout Tee, 6"

\*\* Specify -CO or -COT



TYPE NO.	PIPE SIZE	B	C	D	E	LBS.
58624	2,3,4	5-3/8	6-5/8	6-1/4	3/4	5
58626	5,6	6-7/8	8-3/8	8	1	7

## 58630 SERIES WALL OR FLOOR ACCESS COVER

### APPLICATION

For use in finished walls or floors subject to pedestrian or light wheel traffic, to provide access to cleanout plugs, valves, controls or other equipment where a square cover complements construction or finish. Hinged cover allows for easy access.

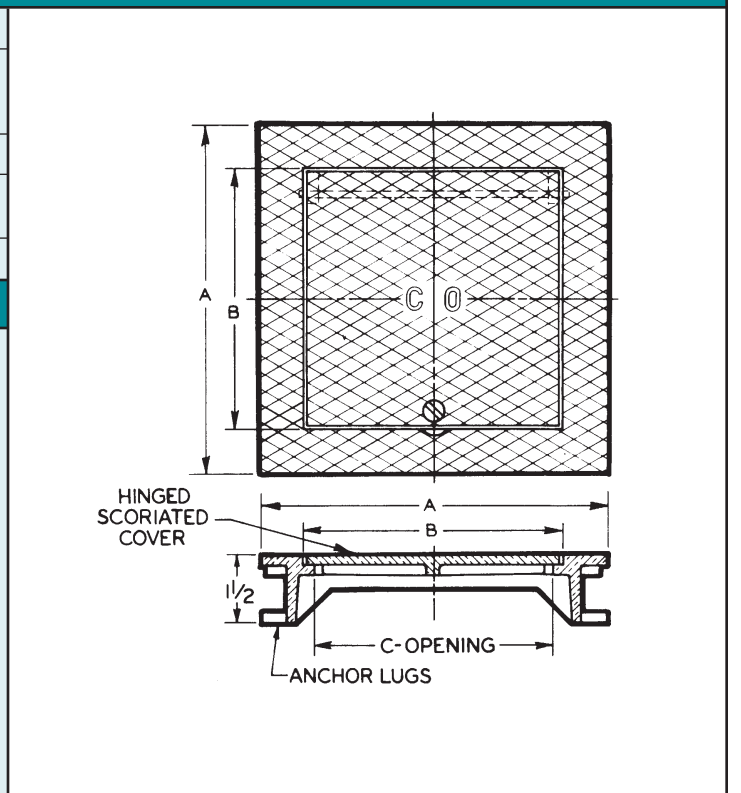
### SPECIFICATION

JOSAM 58630 Series square cast Nikaloy Access Frame with anchor lugs and satin scoriated secured hinged cover.

### Available Options

-2	Satin Finish Bronze Top	-20	** Raised Head Bronze Plug
-VP	Secured Cover, Vandal-Proof Screws	-31	** Galvanized Cast Iron Parts
-C02	No-Hub Cleanout, 2"	-COT2	No-Hub Cleanout Tee, 2"
-C03	No-Hub Cleanout, 3"	-COT3	No-Hub Cleanout Tee, 3"
-C04	No-Hub Cleanout, 4"	-COT4	No-Hub Cleanout Tee, 4"
-C06	No-Hub Cleanout, 6"	-COT6	No-Hub Cleanout Tee, 6"

\*\* Specify -CO or -COT



TYPE NO.	A X A	B X B	C	LBS.
58631	8 x 8	6 x 6	5-1/2	7
58632	12 x 12	10 x 10	9-1/2	15