

58620 SERIES WALL OR FLOOR ACCESS COVER

APPLICATION

For use in finished walls or floors subject to pedestrian or light wheel traffic, to provide access to cleanout plugs, valves, controls or other equipment. Hinged cover allows for easy access.

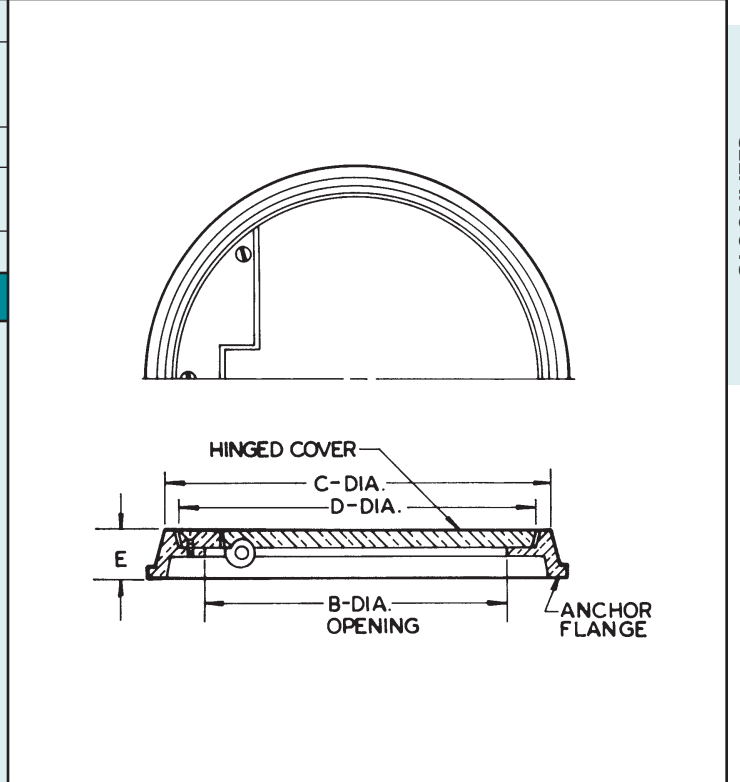
SPECIFICATION

JOSAM 58620 Series round cast Nikaloy Access Frame with anchor flange and satin smooth hinged cover.

Available Options

- | | |
|--|-----------------------------------|
| -2 Satin Finish Bronze Top | -C06 No-Hub Cleanout, 6" |
| -10 Scoriated Cover | -20 ** Raised Head Bronze Plug |
| -14 Carpet Cleanout Marker | -31 ** Galvanized Cast Iron Parts |
| -VP Secured Cover, Vandal-Proof Screws | -COT2 No-Hub Cleanout Tee, 2" |
| -C02 No-Hub Cleanout, 2" | -COT3 No-Hub Cleanout Tee, 3" |
| -C03 No-Hub Cleanout, 3" | -COT4 No-Hub Cleanout Tee, 4" |
| -C04 No-Hub Cleanout, 4" | -COT6 No-Hub Cleanout Tee, 6" |

** Specify -CO or -COT



TYPE NO.	PIPE SIZE	B	C	D	E	LBS.
58624	2,3,4	5-3/8	6-5/8	6-1/4	3/4	5
58626	5,6	6-7/8	8-3/8	8	1	7

58630 SERIES WALL OR FLOOR ACCESS COVER

APPLICATION

For use in finished walls or floors subject to pedestrian or light wheel traffic, to provide access to cleanout plugs, valves, controls or other equipment where a square cover complements construction or finish. Hinged cover allows for easy access.

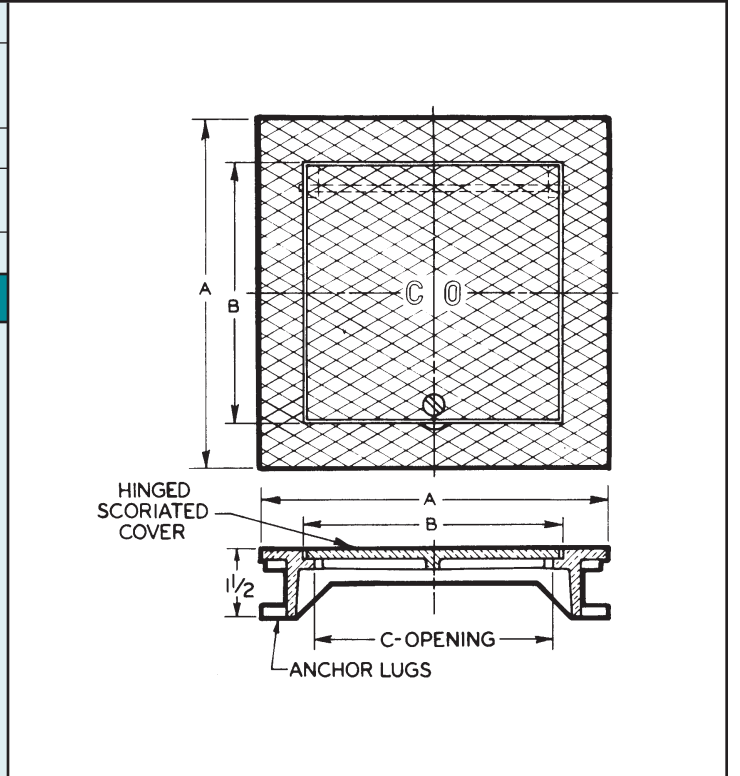
SPECIFICATION

JOSAM 58630 Series square cast Nikaloy Access Frame with anchor lugs and satin scoriated secured hinged cover.

Available Options

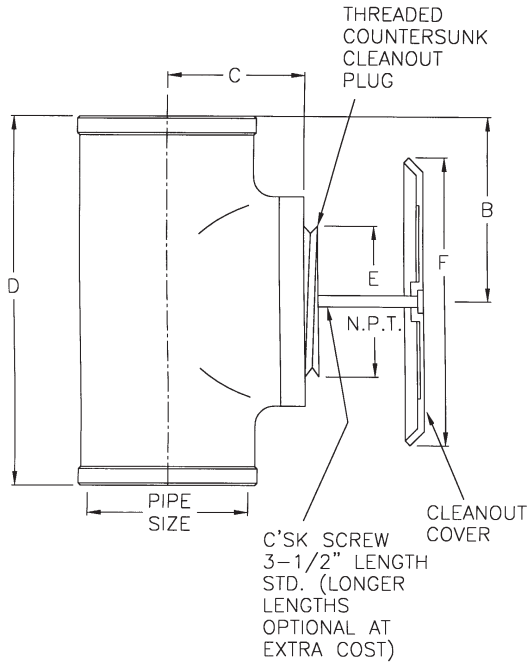
- | | |
|--|-----------------------------------|
| -2 Satin Finish Bronze Top | -20 ** Raised Head Bronze Plug |
| -VP Secured Cover, Vandal-Proof Screws | -31 ** Galvanized Cast Iron Parts |
| -C02 No-Hub Cleanout, 2" | -COT2 No-Hub Cleanout Tee, 2" |
| -C03 No-Hub Cleanout, 3" | -COT3 No-Hub Cleanout Tee, 3" |
| -C04 No-Hub Cleanout, 4" | -COT4 No-Hub Cleanout Tee, 4" |
| -C06 No-Hub Cleanout, 6" | -COT6 No-Hub Cleanout Tee, 6" |

** Specify -CO or -COT

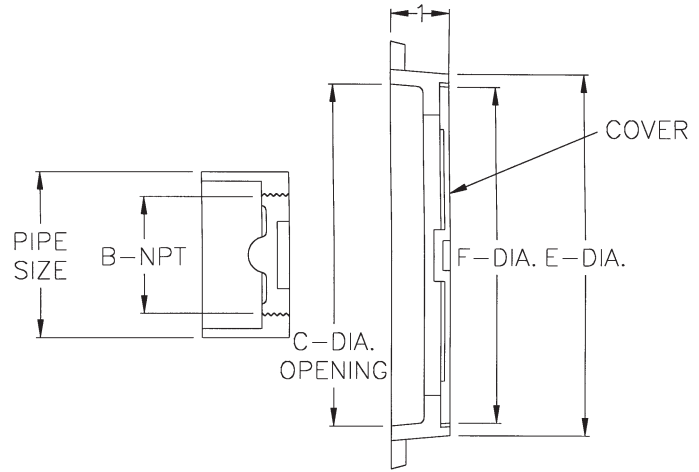


TYPE NO.	A X A	B X B	C	LBS.
58631	8 x 8	6x 6	5-1/2	7
58632	12 x 12	10 x 10	9-1/2	15

58600-COT SERIES



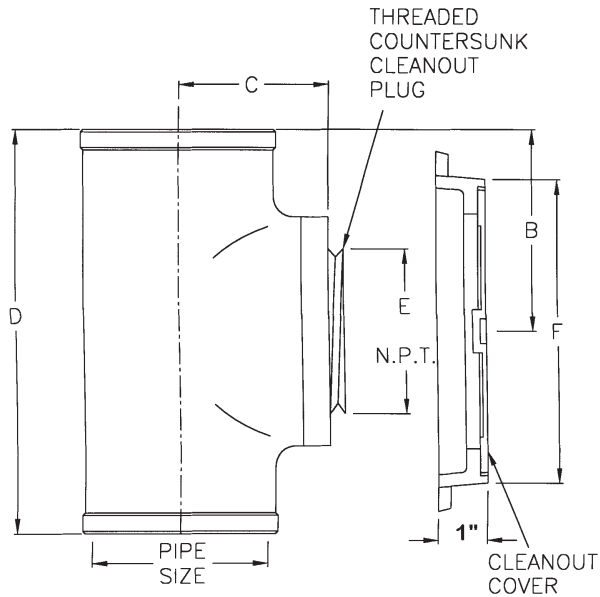
58610-CO SERIES



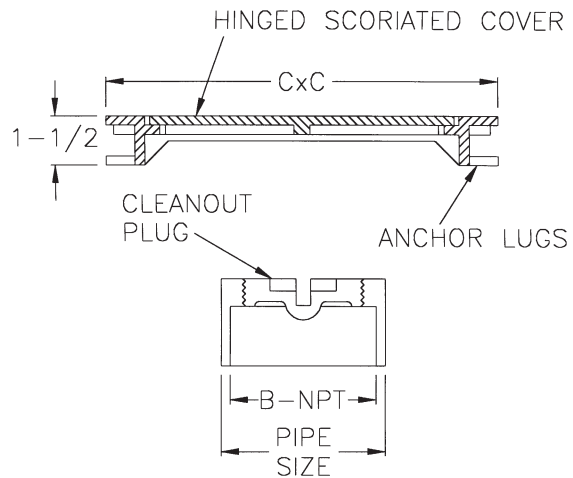
TYPE NO.	PIPE SIZE	B	C	D	E	F	LBS.
58604-COT2	2	4-1/4	1-3/4	6-3/8	2	5-3/8	11
58604-COT3	3	5-1/4	2-1/2	7-3/4	3	5-3/8	14
58604-COT4	4	6	3-1/2	8-7/8	4	5-3/8	20
58608-COT6	6	7	4-1/2	12-1/2	6	10-5/8	34

TYPE NO.	PIPE SIZE	B	C	E	F	LBS.
58614-CO2	2	1-1/2	4-5/8	6	5-1/2	6
58614-CO3	3	2-1/2	4-5/8	6	5-1/2	7
58614-CO4	4	3-1/2	4-5/8	6	5-1/2	9
58616-CO6	6	5-1/2	6-3/4	8-1/4	7-3/4	15

58610-COT SERIES



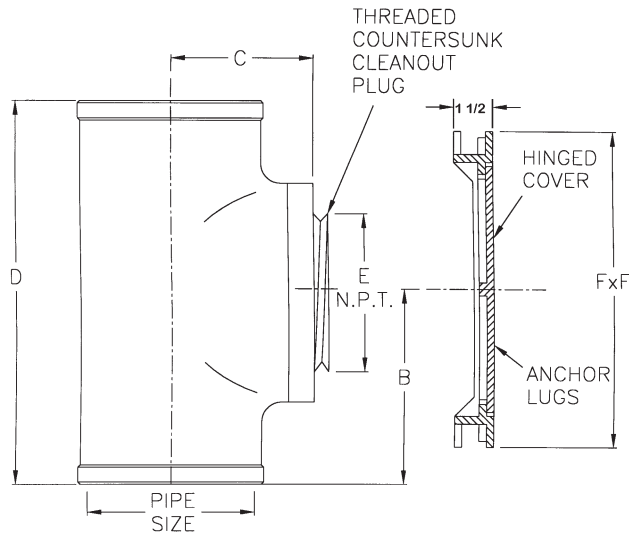
58630-CO SERIES



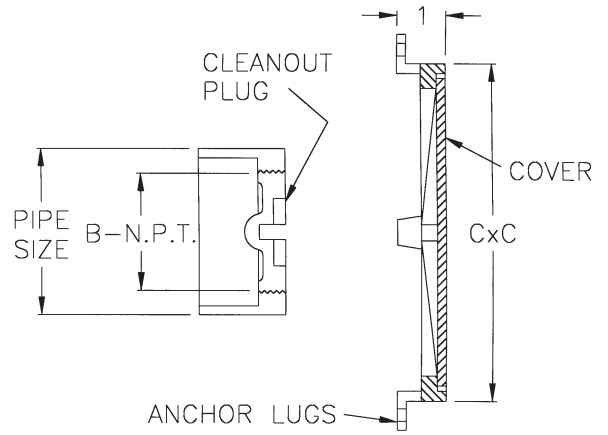
TYPE NO.	PIPE SIZE	B	C	D	E	F	LBS.
58614-COT2	2	4-1/4	1-3/4	6-3/8	2	6	13
58614-COT3	3	5-1/4	3-1/2	7-3/4	3	6	16
58614-COT4	4	6	3-1/2	8-7/8	4	6	22
58616-COT6	6	7	4-1/2	12-1/2	6	8-1/4	37

TYPE NO.	PIPE SIZE	B	C X C	LBS.
58631-CO2	2	1-1/2	8 x 8	9
58631-CO3	3	2-1/2	8 x 8	9
58631-CO4	4	3-1/2	8 x 8	11
58632-CO6	6	5-1/2	12 x 12	20

58630-COT SERIES



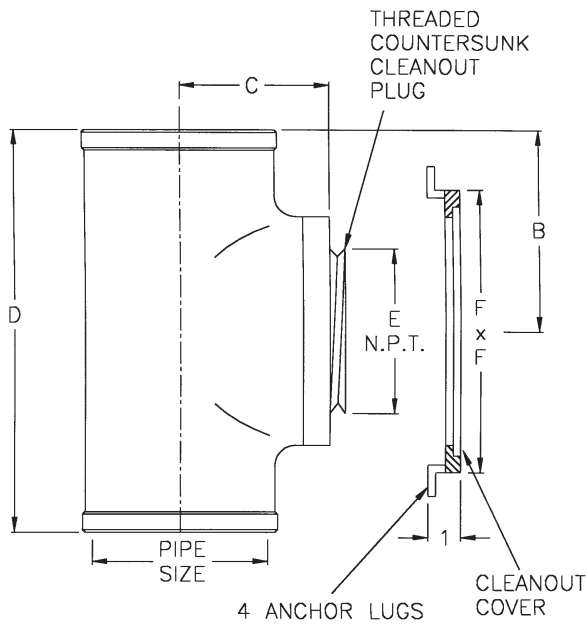
58640-CO SERIES



TYPE NO.	PIPE SIZE	B	C	D	E	F X F	LBS.
58631-COT2	2	4-1/4	1-3/4	6-3/8	2	8 x 8	16
58631-COT3	3	5-1/4	2-1/2	7-3/4	3	8 x 8	19
58631-COT4	4	6	3-1/2	8-7/8	4	8 x 8	25
58632-COT6	6	7	4-1/2	12-1/2	6	12 x 12	42

TYPE NO.	PIPE SIZE	B	C X C	LBS.
58642-CO2	2	1-1/2	7 x 7	7
58642-CO3	3	2-1/2	7 x 7	8
58642-CO4	4	3-1/2	7 x 7	10
58644-CO6	6	5-1/2	9 x 9	16

58640-COT SERIES



TYPE NO.	PIPE SIZE	B	C	D	E	F X F	LBS.
58642-COT2	2	4-1/4	1-3/4	6-3/8	2	7 x 7	14
58642-COT3	3	5-1/4	2-1/2	7-3/4	3	7 x 7	17
58642-COT4	4	6	3-1/2	8-7/8	4	7 x 7	23
58644-COT6	6	7	4-1/2	12-1/2	6	9 x 9	38