

58640 SERIES

WALL OR FLOOR ACCESS COVER

APPLICATION

For use in finished walls or floors subject to pedestrian or light wheel traffic, to provide access to cleanout plugs, valves, controls or other equipment where a square cover complements construction or finish.

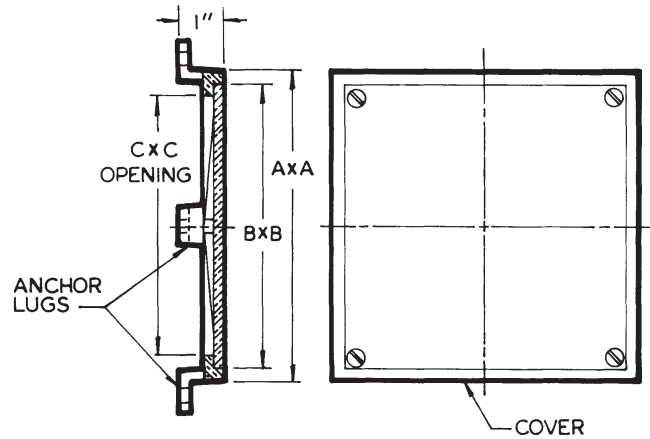
SPECIFICATION

JOSAM 58640 Series square cast Nikaloy Access Frame with anchor lugs and satin smooth secured cover.

Available Options

-2	Satin Finish Bronze Top	-C06	No-Hub Cleanout, 6"
-10	Scoriated Cover	-20	** Raised Head Bronze Plug
-VP	Secured Cover, Vandal-Proof Screws	-31	** Galvanized Cast Iron Parts
-CO2	No-Hub Cleanout, 2"	-COT2	No-Hub Cleanout Tee, 2"
-CO3	No-Hub Cleanout, 3"	-COT3	No-Hub Cleanout Tee, 3"
-CO4	No-Hub Cleanout, 4"	-COT4	No-Hub Cleanout Tee, 4"
		-COT6	No-Hub Cleanout Tee, 6"

** Specify -CO or -COT



TYPE NO.	A X A	B X B	C X C	LBS.
58642	7 x 7	6-1/2 x 6-1/2	6 x 6	5
58644	9 x 9	8-1/2 x 8-1/2	8 x 8	8
58646	10 x 10	9-1/2 x 9-1/2	9 x 9	10

58650 SERIES

WALL ACCESS COVER

APPLICATION

For use in finished walls to provide access to cleanout plugs, valves, controls or other equipment where a square cover, flush-with-wall, complements construction or finish.

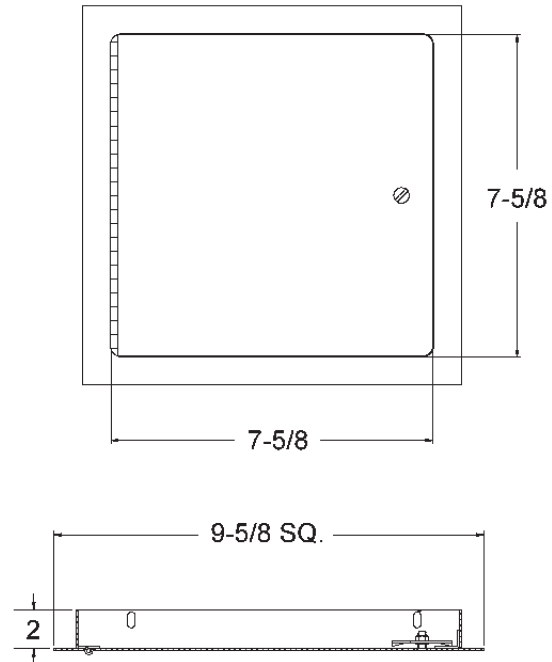
SPECIFICATION

JOSAM 58650 Series square stainless steel Access Frame with beveled edge, anchor lugs and smooth, secured cover.

Available Options

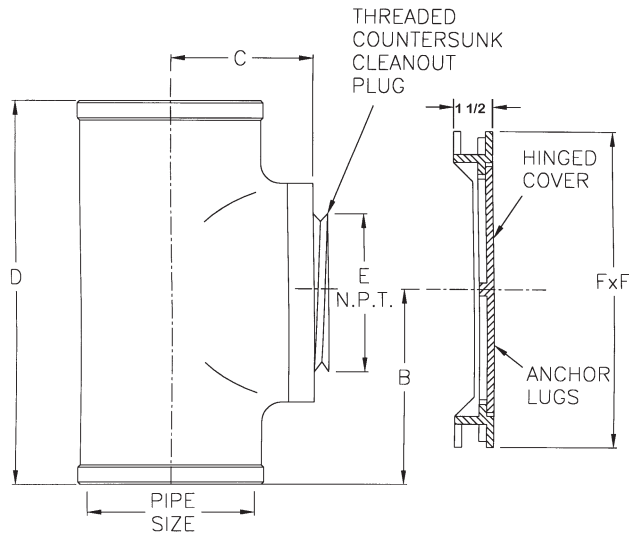
-VP	Secured Cover, Vandal-Proof Screws	-20	** Raised Head Bronze Plug
		-31	** Galvanized Cast Iron Parts
-CO2	No-Hub Cleanout, 2"	-COT2	No-Hub Cleanout Tee, 2"
-CO3	No-Hub Cleanout, 3"	-COT3	No-Hub Cleanout Tee, 3"
-CO4	No-Hub Cleanout, 4"	-COT4	No-Hub Cleanout Tee, 4"
-CO6	No-Hub Cleanout, 6"	-COT6	No-Hub Cleanout Tee, 6"

** Specify -CO or -COT

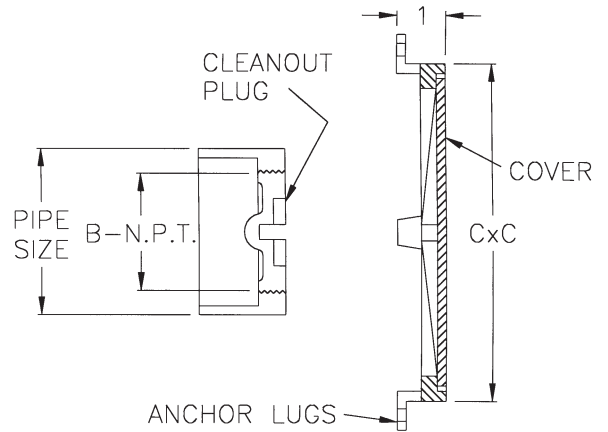


TYPE NO.	LBS.
58656	4

58630-COT SERIES



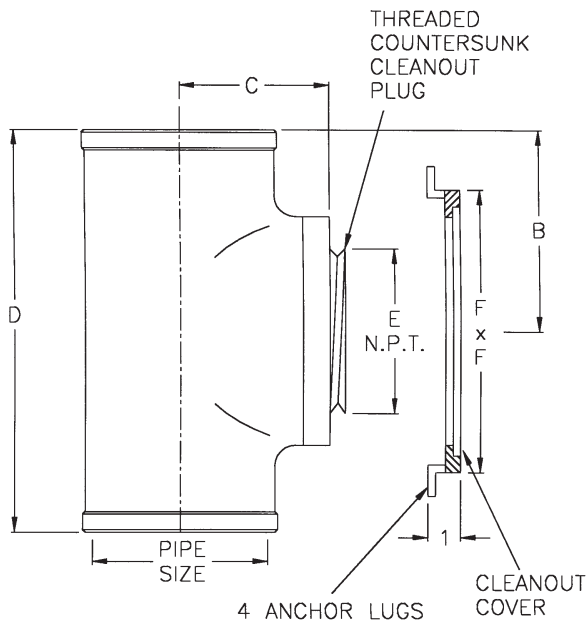
58640-CO SERIES



TYPE NO.	PIPE SIZE	B	C	D	E	F X F	LBS.
58631-COT2	2	4-1/4	1-3/4	6-3/8	2	8 x 8	16
58631-COT3	3	5-1/4	2-1/2	7-3/4	3	8 x 8	19
58631-COT4	4	6	3-1/2	8-7/8	4	8 x 8	25
58632-COT6	6	7	4-1/2	12-1/2	6	12 x 12	42

TYPE NO.	PIPE SIZE	B	C X C	LBS.
58642-CO2	2	1-1/2	7 x 7	7
58642-CO3	3	2-1/2	7 x 7	8
58642-CO4	4	3-1/2	7 x 7	10
58644-CO6	6	5-1/2	9 x 9	16

58640-COT SERIES



TYPE NO.	PIPE SIZE	B	C	D	E	F X F	LBS.
58642-COT2	2	4-1/4	1-3/4	6-3/8	2	7 x 7	14
58642-COT3	3	5-1/4	2-1/2	7-3/4	3	7 x 7	17
58642-COT4	4	6	3-1/2	8-7/8	4	7 x 7	23
58644-COT6	6	7	4-1/2	12-1/2	6	9 x 9	38