

60100-SA SERIES

SEMI-AUTOMATIC

APPLICATION

For use in restaurant and institutional kitchens and all types of food handling and processing areas where waste water contains fats, oil and grease (FOG). Semi-automatic draw-off allows for easy odor and mess free grease removal without opening the cover.

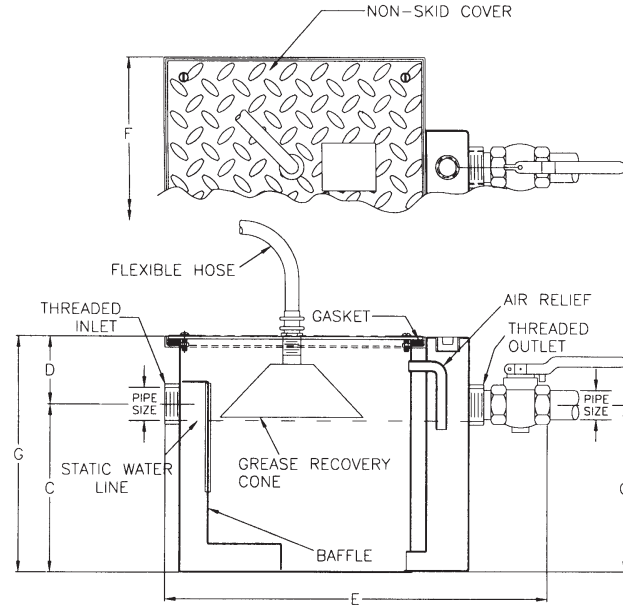
SPECIFICATION

JOSAM 60100-SA Series epoxy coated fabricated steel Grease Interceptor with threaded connections, internal air relief, visible double wall trap, removable baffle, gasketed non-skid cover, grease recovery cone, flexible hose, grease draw-off valve and flow control fitting.

Available Options

- -62 4" Inlet and Outlet Available on Std. 3" Sizes
- -65 Hub Inlet, Spigot Outlet, 2"
- -66 Hub Inlet, Spigot Outlet, 3"
- -67 Hub Inlet, Spigot Outlet, 4"
- ▼ -ET Enclosed Type
- ▼ -RT Recessed Type
- 3" sizes normally furnished with 4" x 3" reducing bushings.

TYPE NO.	FLOW RATE GPM	GREASE CAP LBS.	PIPE SIZE	ROUGH-IN CENTERS		LGTH. E	WIDTH F	HGT. G	LBS.
				C	D				
60102-SA	7	14	2	7-3/8	2-1/4	20-7/16	9-15/16	9-5/8	31
60103-SA	10	20	2	8-3/8	2-7/8	22-1/16	11-9/16	11-1/4	40
60104-SA	15	30	2	9-3/8	4	24-3/16	13-3/16	13-3/8	47
60105-SA	20	40	2	11-1/2	4-5/8	26-15/16	14-13/16	16-1/8	88
60106-SA	25	50	3•	13	4-3/8	32	16-7/8	17-3/8	123
60107-SA	35	70	3•	14-1/2	4	33-5/8	17-7/8	18-1/2	127
60108-SA	50	100	3•	15-1/2	4-7/8	37-1/4	19-3/4	20-3/8	197



NOTE: HGT. OF 13" REQUIRED FROM TOP OF INTERCEPTOR TO BOTTOM OF FIXTURE.

INTERCEPTORS

60100-SA-ET SERIES

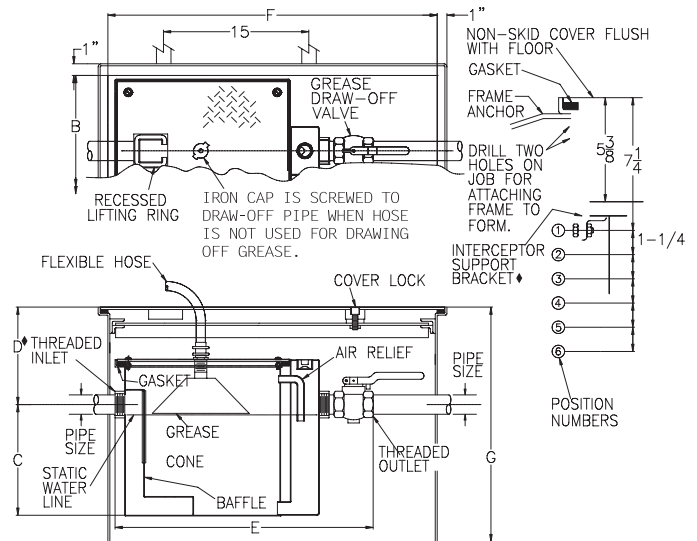
Enclosed Type

APPLICATION

For use in restaurant and institutional kitchens and all types of food handling and processing areas where waste water contains fats, oil and grease (FOG). Semi-automatic draw-off allows for easy odor and mess free grease removal without opening the cover. Steel enclosure cabinet for installation flush with the floor, completely encased, where adjustment of interceptor elevation is necessary for connection to a deep drain line.

SPECIFICATION

JOSAM 60100-SA-ET Series epoxy coated fabricated steel semi-automatic Grease Interceptor with threaded connections, internal air relief, visible double wall trap, removable baffle, gasketed cover, grease recovery cone, flexible hose and grease draw-off valve, flow control fitting and steel enclosure cabinet with non-skid cover and adjustable interceptor carrier brackets.



NOTE: HGT. OF 13" REQUIRED FROM TOP OF INTERCEPTOR TO BOTTOM OF FIXTURE.

- ◆ BASED ON INTERCEPTOR IN POSITION #1, ADD 1-1/4" WHEN LOWERING INTERCEPTOR TO SUCCEEDING POSITIONS. INTERCEPTOR SUPPORT BRACKET ADJUSTABLE FOR VARYING DEPTHS OF FLOOR CONSTRUCTION.

TYPE NO.	FLOW RATE GPM	GREASE CAP LBS.	PIPE SIZE	WIDTH B	ROUGH-IN CENTERS		E	LGTH. F	HGT. G	LBS.
					C	D◆				
60102-SA-ET	7	14	2	11	7-3/8	7-5/8	20-7/16	27-1/2	24-5/8	136
60103-SA-ET	10	20	2	12-5/8	8-3/8	8-1/4	22-1/16	29	25-7/8	177
60104-SA-ET	15	30	2	14-1/4	9-3/8	9-3/8	24-3/16	31-1/4	27-1/8	216
60105-SA-ET	20	40	2	16	11-1/2	10	26-15/16	34	29-1/8	289
60106-SA-ET	25	50	3•	17-1/2	13	9-3/4	32	38	31-1/2	360
60107-SA-ET	35	70	3•	18-1/2	14-1/2	9-3/8	33-5/8	39-1/2	32-5/8	389
60108-SA-ET	50	100	3•	20-1/4	15-1/2	10-1/4	37-1/4	43-1/8	34-5/8	491

60100-SA-RT SERIES

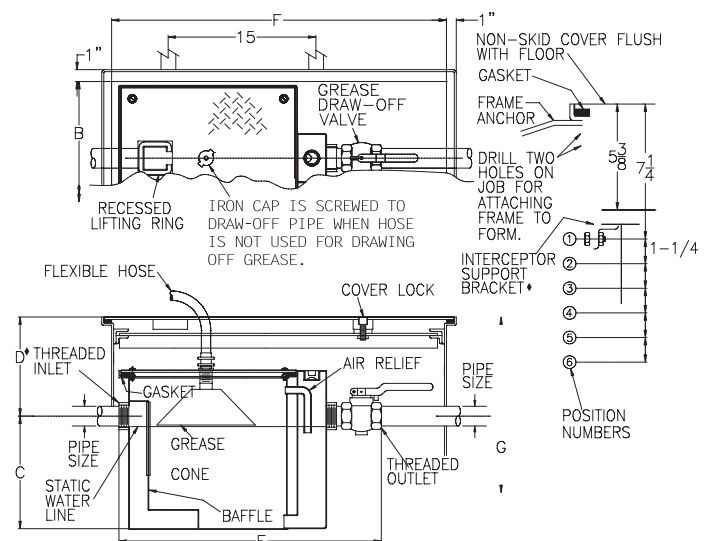
Recessed Type

APPLICATION

For use in restaurant and institutional kitchens and all types of food handling and processing areas where waste water contains fats, oil and grease (FOG). Semi-automatic draw-off allows for easy odor and mess free grease removal without opening the cover. Steel frame and cover for installation flush with the floor where adjustment of interceptor elevation is necessary for connection to deep drain line.

SPECIFICATION

JOSAM 60100-SA-RT Series epoxy coated fabricated steel semi-automatic Grease Interceptor with acid-resisting coating, deep roughing flush-with-floor type, threaded connections, flat bottom, internal air relief, visible double wall trap, removable baffle, gasketed non-skid cover, grease recovery cone, flexible hose and grease draw-off valve, flow control fitting and steel frame with non-skid cover and adjustable interceptor carrier brackets.



NOTE: HGT. OF 13" REQUIRED FROM TOP OF INTERCEPTOR TO BOTTOM OF FIXTURE.

- ◆ BASED ON INTERCEPTOR IN POSITION #1, ADD 1-1/4" WHEN LOWERING INTERCEPTOR TO SUCCEEDING POSITIONS. INTERCEPTOR SUPPORT BRACKET ADJUSTABLE FOR VARYING DEPTHS OF FLOOR CONSTRUCTION.

TYPE NO.	FLOW RATE GPM	GREASE CAP LBS.	PIPE SIZE	WIDTH B	ROUGH-IN CENTERS		E	LGTH. F	HGT. G	LBS.
					C	D◆				
60102-SA-RT	7	14	2	11	7-3/8	7-5/8	20-7/16	27-1/2	14-3/4	127
60103-SA-RT	10	20	2	12-5/8	8-3/8	8-1/4	22-1/16	29	14-3/4	144
60104-SA-RT	15	30	2	14-1/4	9-3/8	9-3/8	24-3/16	31-1/4	14-3/4	159
60105-SA-RT	20	40	2	16	11-1/2	10	26-15/16	34	14-3/4	208
60106-SA-RT	25	50	3•	17-1/2	13	9-3/4	32	38	14-3/4	255
60107-SA-RT	35	70	3•	18-1/2	14-1/2	9-3/8	33-5/8	39-1/2	14-7/8	260
60108-SA-RT	50	100	3•	20-1/4	15-1/2	10-1/4	37-1/4	43-1/8	14-7/8	338