

61080 SERIES

TOP ACCESS IN-LINE TYPE

APPLICATION

For use as a means of collecting very large quantities of solid waste materials, hair, lint and foreign particles ahead of swimming pool filters and processing devices or commercial laundry equipment. Cleaning is accomplished in minimal time by removal of top cover secured with gasketed compression yoke and basket.

SPECIFICATION

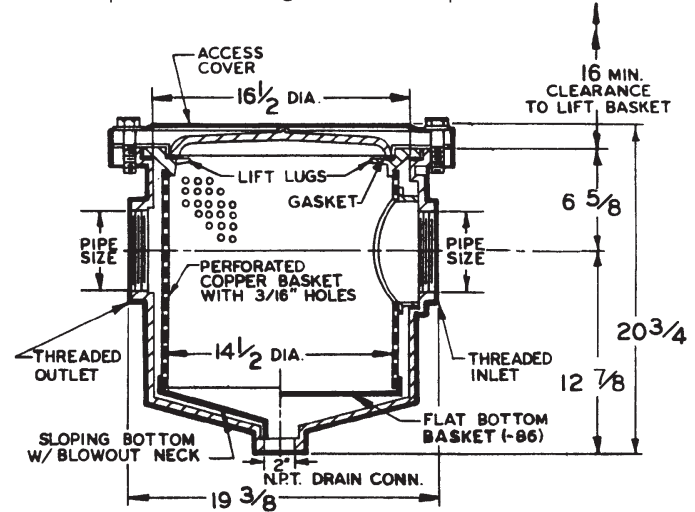
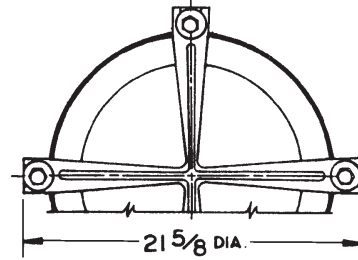
JOSAM 61080 Series cast iron Solids Interceptor with acid-resisting coating, top access, in-line type, threaded connections, 2" threaded drain or blow-off connection, removable perforated copper basket with conical solid bottom, gasketed cast iron support rim and gasketed cover seated on basket. Support rim secured with hex head bolts.

Available Options

- 4 Galvanized Cast Iron Parts
- 15 Stainless Steel Basket
- 86 Flat Bottom Basket

TYPE NO.	PIPE SIZE	LBS.
61084	4	202
61085	5	202
61086	6	212

BASKET FREE AREA
250 SQ. IN.



61800 SERIES

LINT INTERCEPTOR

APPLICATION

For use as a means of collecting very large quantities of solid waste materials, hair, lint and foreign particles ahead of swimming pool filters and processing devices or commercial laundry equipment. Cleaning is accomplished through removal of non-skid cover and basket.

SPECIFICATION

JOSAM 61800 Series Lint Interceptor with acid-resisting coating, non-skid cover, galvanized steel bucket with stainless steel screens and threaded connections.

Available Options

- EXT Extension, 6" Standard (Specify Extension Height)

TYPE NO.	FLOW RATE GPM	MAX. NO. OF WASHERS	PIPE SIZE	C	D	E	F	G	LBS.
61805	70	7	3	12	6	20	17	18	90
61806	200	20	4	14	6	22	18	20	120
61807	300	30	6	16	6	25	20	22	190
61808	400	40	6	18	6	29	22	24	220

