

67800 SERIES

HUB INLET, SWING-CHECK TYPE

APPLICATION

For use at the termination of drain lines which discharge into manholes and basins or through retaining walls to protect the lines from backflow and discourage the entrance of vermin.

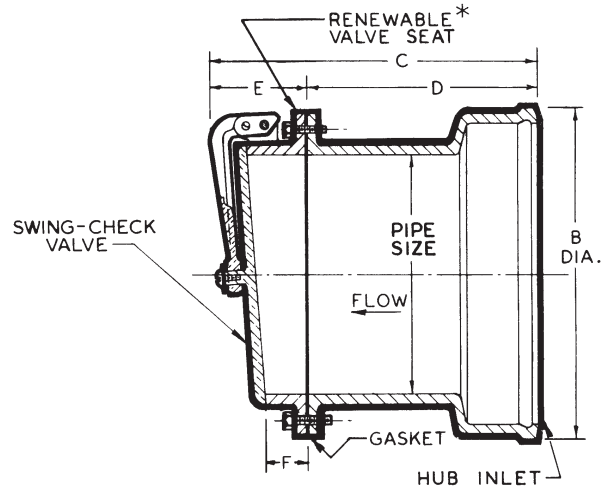
SPECIFICATION

JOSAM 67800 Series coated cast iron Backwater Valve, terminal type, bronze swing-check assembly with bolted cast iron seat and hub connection.

Available Options

- 4 Bronze Seat
- 15 Open Flap

TERMINAL TYPE



NOTE: SWING-CHECK VALVE NORMALLY HANGS IN CLOSED POSITION, BUT CAN BE SET TO HANG OPEN.

* 67806 VALVE SEAT IS FLANGED, GASKETED AND BOLTED.
67808 VALVE SEAT IS JOINED TO HUB INLET BY THREADS.

TYPE NO.	PIPE SIZE	B	C	D	E	F	LBS.
67806	6	8-1/8	9-7/8	7-3/4	2-1/8	7/8	20
67808	8	10-1/8	15-3/4	11-1/2	4-1/4	1-1/4	82