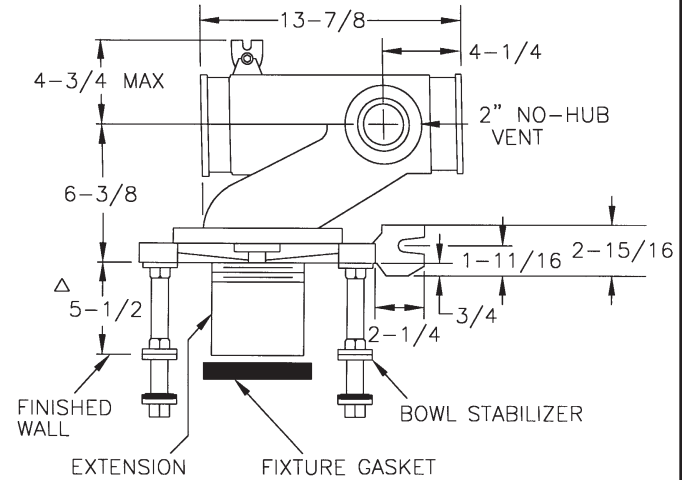
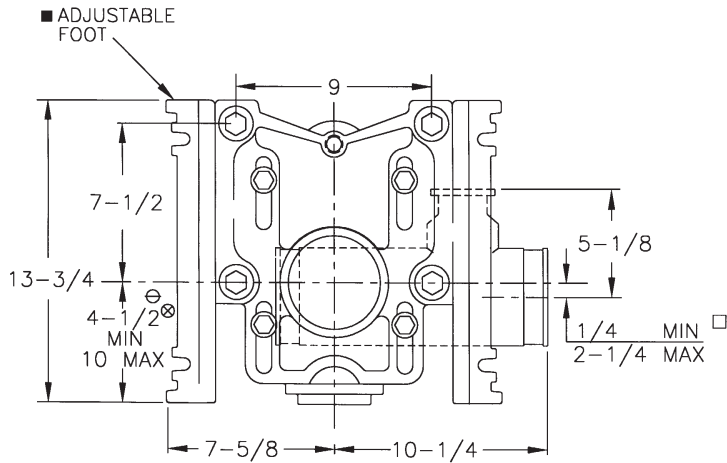


HORIZONTAL 4" NO-HUB, ADJUSTABLE, SINGLE

12674 & 12684

APPLICATION: For use with Siphon Jet or Blowout Closets in No-Hub piping systems where single adjustable fitting with horizontal flow is desired.

12674 Left-Hand (Shown)
12684 Right-Hand (Opposite)



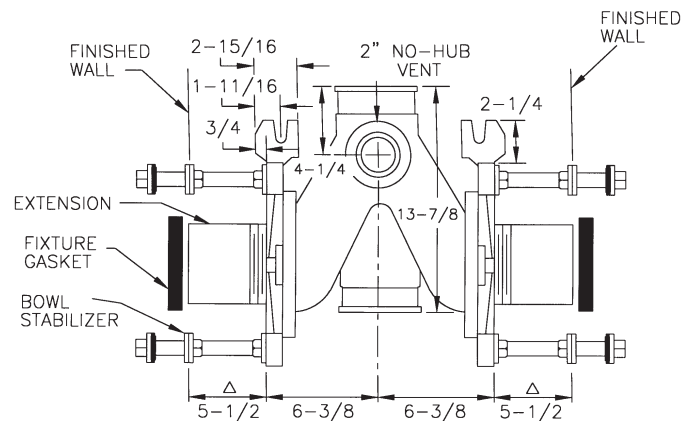
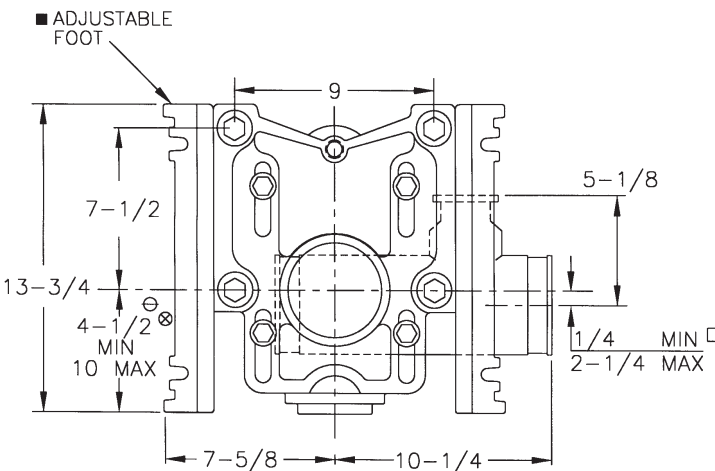
60 LBS.

HORIZONTAL 4" NO-HUB, ADJUSTABLE, BACK-TO-BACK

12694

APPLICATION: For use with Siphon Jet or Blowout Closets in No-Hub piping systems where back-to-back adjustable fitting with horizontal flow is desired.

Back-to-Back



100 LBS.

OPTIONS & NOTES

- | | | | |
|-------|--|-------|--|
| -PF | Pylon Foot, Std. | -10 | ABS Extension, through 10-1/2" Wall |
| -OR | O-Ring Carrier | -24 | Carrier for Floor-Mounted, Back-Outlet China Bowls |
| -SD | Special-Duty 500 lb. Carrier | -30 | Cast Iron Adjustable Extension with Connector |
| ▼ -HS | Hub & Spigot | -30-2 | Cast Iron Adjustable Extension with Connector and Test Cap |
| -AUX | Auxiliary Inlet, 2" | -32 | Carrier for Wide Chase Installations |
| -VP | Vandal-Proof Trim | -35 | Closet Carrier for Wheelchair High Rough |
| -1 | Positioning Frame | ▼ -58 | Horizontal No-Hub Cast Long Barrel |
| -6 | Supply Pipe Support (Specify Type of Pipe) | | |

■ RECOMMENDED ALL FEET BE SECURED TO FLOOR WITH 1/2" BOLTS AND ANCHORS BY OTHERS.

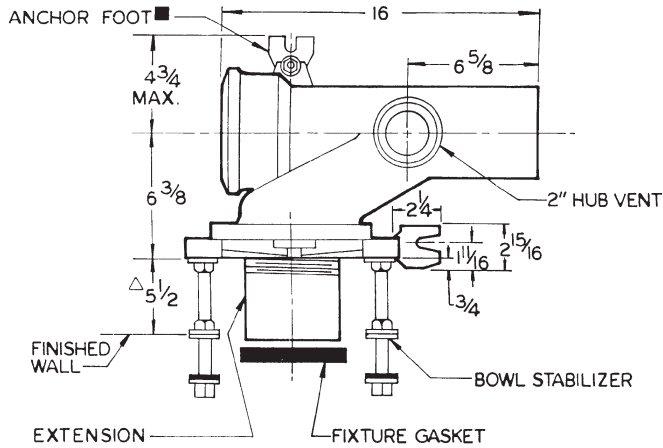
DIM. SHOWN IS FOR SIPHON JET. BLOWOUT IS:
⊖ 11" MIN. & 16-1/2" MAX. □ 2" MIN. & 4" MAX.

⊗ FOR ROUGHING OVER 6" FOR SIPHON JET OR 12-1/2" FOR BLOWOUT, SPECIFY ON ORDER.

△ FOR DIM. SHORTER THAN 5-1/2" (1" MIN.) CUT EXT. SPECIFY -10 FOR LONGER EXT. (10-1/2" MAX.)

12674-HS SERIES

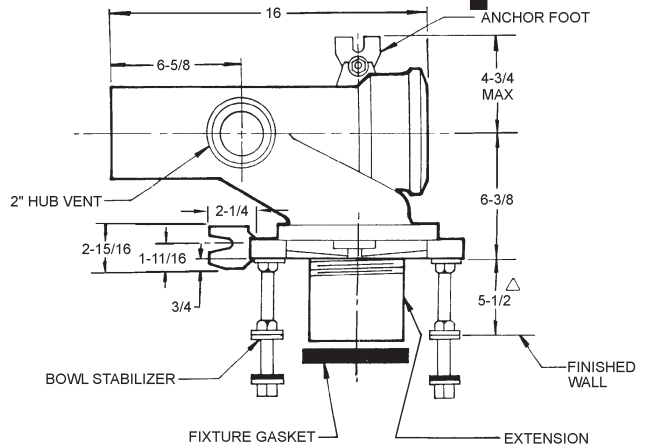
Single, Left-Hand, Hub & Spigot



65 LBS.

12684-HS SERIES

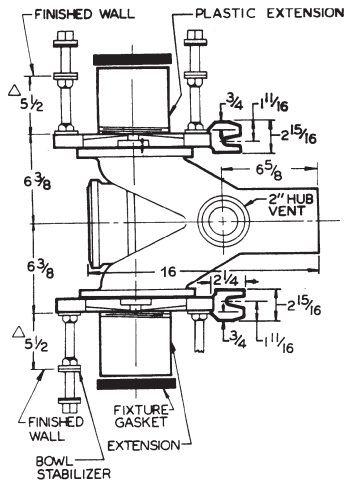
Single, Right-Hand, Hub & Spigot



65 LBS.

12694-HS SERIES

Back-to-Back, Hub & Spigot

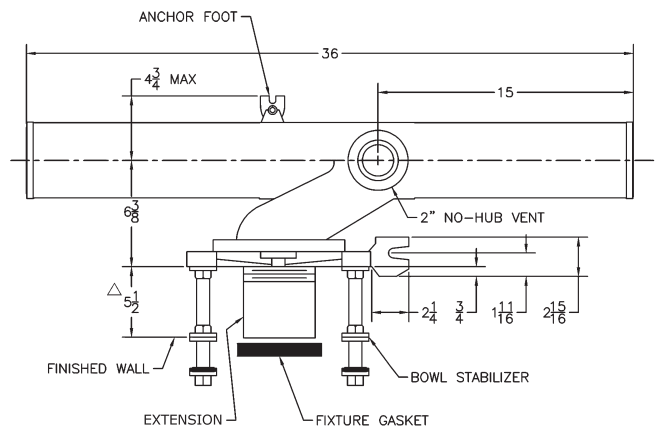


112 LBS.

12674-58 SERIES

Long Barrel

Single, Left-Hand, No-Hub

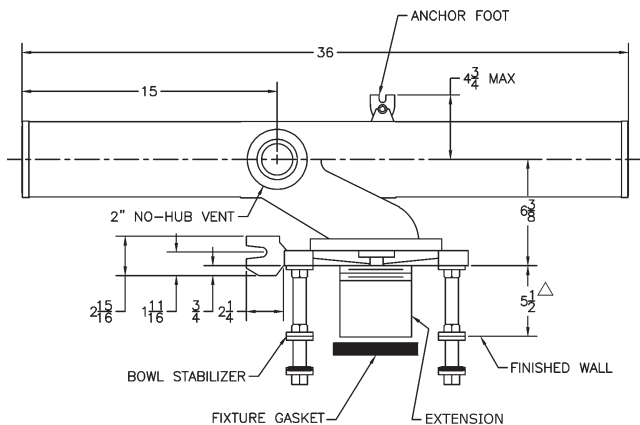


82 LBS.

12684-58 SERIES

Long Barrel

Single, Right-Hand, No-Hub

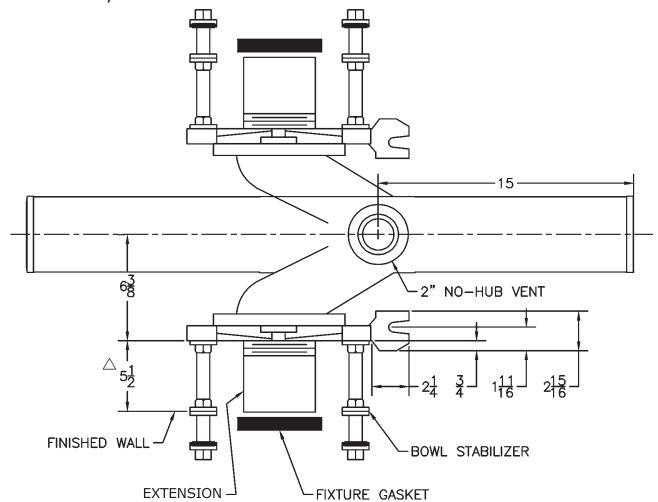


82 LBS.

12694-58 SERIES

Long Barrel

Back-to-Back, No-Hub



125 LBS.

⚠ WARNING: Cancer and Reproductive Harm - www.p65warnings.ca.gov

■ RECOMMENDED ALL FEET BE SECURED TO FLOOR WITH 1/2" BOLTS AND ANCHORS BY OTHERS.

△ FOR DIM. SHORTER THAN 5-1/2" (1" MIN.) CUT EXT. SPECIFY -10 FOR LONGER EXT. (10-1/2" MAX.)