

71000 SERIES HYDRASAN® I WITH VACUUM BREAKER • NON-FREEZE

APPLICATION

For use where a potable water supply is required outside a building. The shut off design provides for frost protection and the integral vacuum breaker and backflow preventer protect the potable water supply. The recessed box with hinged latching cover conceals the nozzle and operating mechanism and prevents unauthorized use.

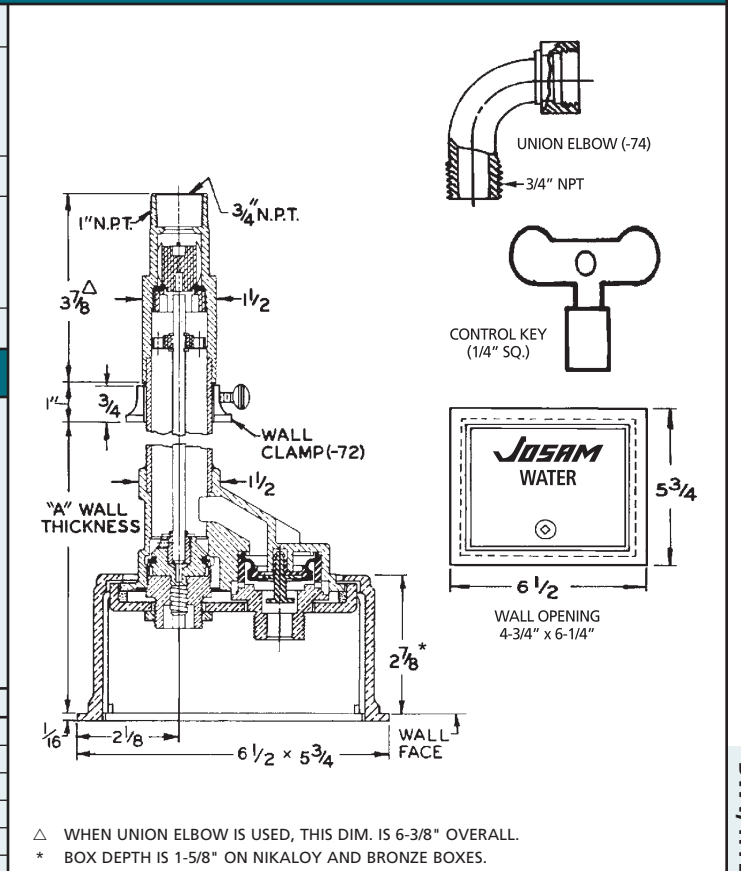
SPECIFICATION

JOSAM 71000 Series cast bronze box type non-freeze wall Hydrant with satin stainless steel hinged latching cover, 3/4" H.P.T. outlet, integral vacuum breaker-backflow preventer, pressure relief valve, bronze casing, bronze operating parts convertible into service tool, 3/4" female and 1" male N.P.T. inlet connection.

Available Options

- * -52 Satin Finish Face, Cast Bronze Box
- * -54 Satin Finish Face, Cast Nikaloy Box
- 72 Wall Clamp
- 73 Solder Inlet Adapter
- 74 Union Elbow Assembly
- 91 1" Hose Pipe Threaded Outlet
- 95 Cylinder Vandal-Proof Lock

TYPE NO.	A	LBS.	TYPE NO.	A	LBS.
71000-4	4-3/4	8	71000-16	16-3/4	11
71000-6	6-3/4	9	71000-18	18-3/4	11
71000-8	8-3/4	10	71000-20	20-3/4	12
71000-10	10-3/4	10	71000-22	22-3/4	12
71000-12	12-3/4	10	71000-24	24-3/4	13
71000-14	14-3/4	11			



71020 SERIES HYDRASAN® I WITH VACUUM BREAKER • MILD CLIMATE

APPLICATION

For use where a potable water supply is required outside a building. The integral vacuum breaker and backflow preventer protect the potable water supply. The recessed box with hinged latching cover conceals the nozzle and operating mechanism and prevents unauthorized use.

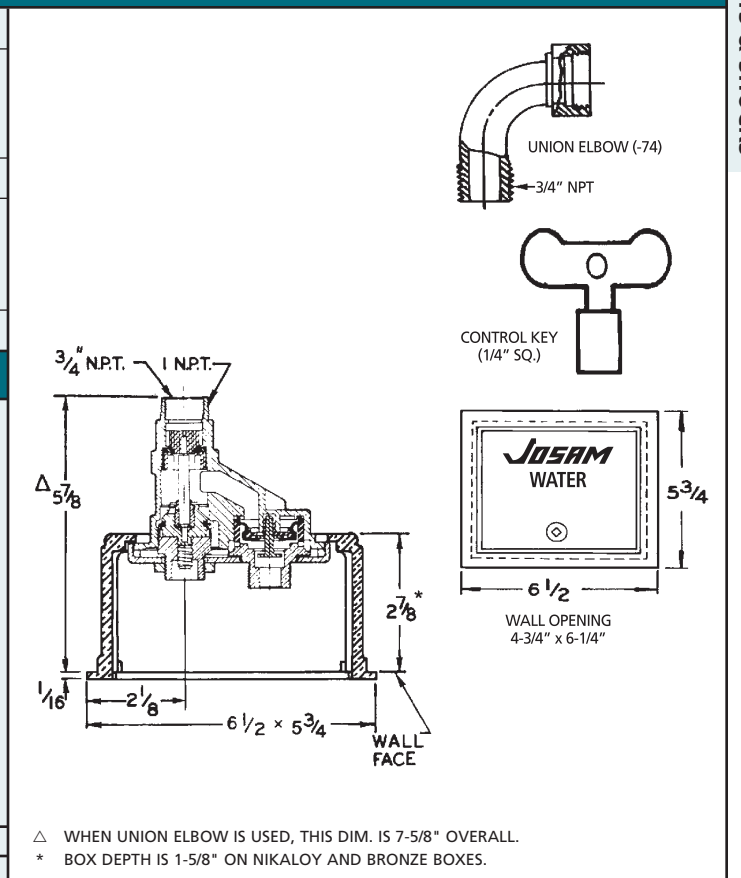
SPECIFICATION

JOSAM 71020 Series cast bronze box type mild-climate wall Hydrant with satin stainless steel hinged latching cover, 3/4" H.P.T. outlet, integral vacuum breaker-backflow preventer, pressure relief valve, bronze operating parts convertible into service tool, 3/4" female and 1" male N.P.T. inlet connection.

Available Options

- * -52 Satin Finish Face, Cast Bronze Box
- * -54 Satin Finish Face, Cast Nikaloy Box
- 72 Wall Clamp
- 73 Solder Inlet Adapter
- 74 Union Elbow Assembly
- 91 1" Hose Pipe Threaded Outlet
- 95 Cylinder Vandal-Proof Lock

TYPE NO.	LBS.
71020	8



BMW, HYDRANTS & SHOCKS