

71050 SERIES HYDRASAN® I WITH VACUUM BREAKER • NON-FREEZE

APPLICATION

For use where a potable water supply is required inside or outside a building. The shut off design provides for frost protection and the integral vacuum breaker and backflow preventer protect the potable water supply. Will fit into the area occupied by a standard brick.

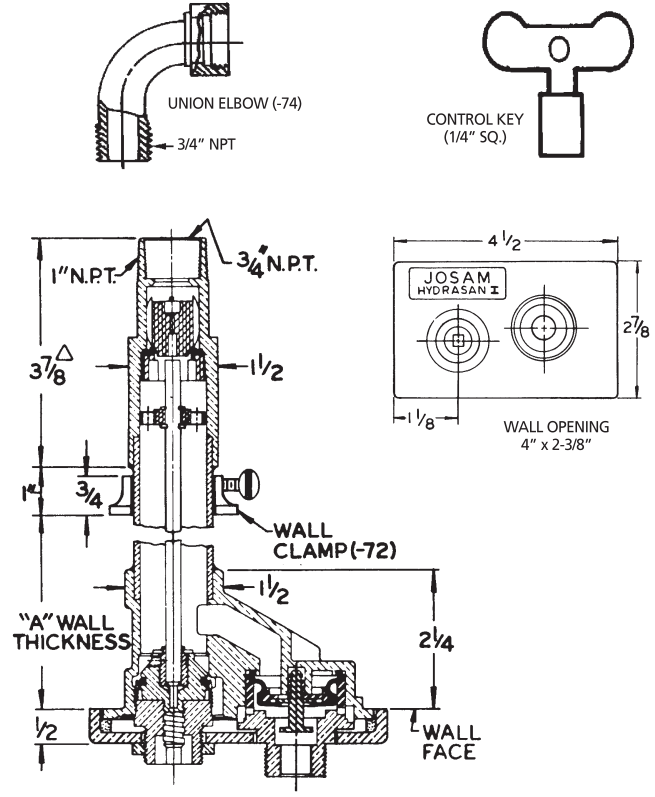
SPECIFICATION

JOSAM 71050 Series cast bronze non-freeze wall Hydrant with satin finish Nikaloy face, 3/4" H.P.T. outlet, integral vacuum breaker-backflow preventer, pressure relief valve, bronze casing, bronze operating parts convertible into service tool, 3/4" female and 1" male N.P.T. inlet connection.

Available Options

- 50 Satin Finish Bronze Face
- 72 Wall Clamp
- 73 Solder Inlet Adapter
- 74 Union Elbow Assembly
- 91 1" Hose Pipe Threaded Outlet

TYPE NO.	A	LBS.	TYPE NO.	A	LBS.
71050-3	2-3/4	3	71050-14	14	5
71050-4	4	3	71050-16	16	5
71050-6	6	3	71050-18	18	5
71050-8	8	4	71050-20	20	6
71050-10	10	4	71050-22	22	6
71050-12	12	4	71050-24	24	6



△ WHEN UNION ELBOW IS USED, THIS DIM. IS 6-3/8" OVERALL.

71070 SERIES HYDRASAN® I WITH VACUUM BREAKER • MILD CLIMATE

APPLICATION

For use where a potable water supply is required inside or outside a building. The integral vacuum breaker and backflow preventer protect the potable water supply. Will fit into the area occupied by a standard brick.

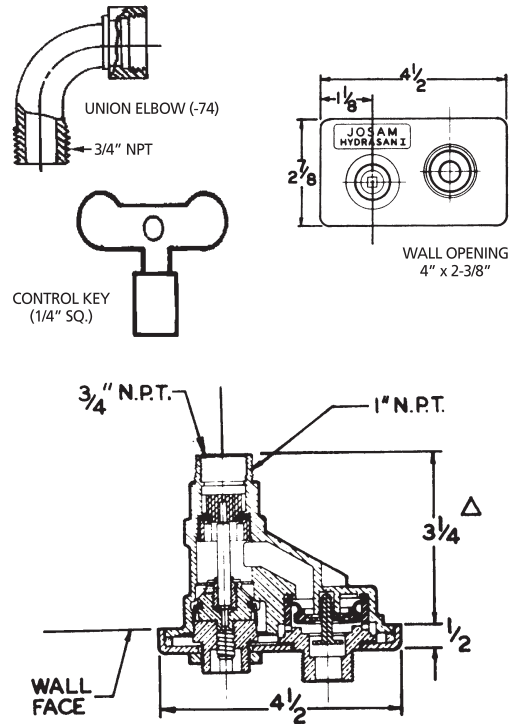
SPECIFICATION

JOSAM 71070 Series cast bronze mild-climate wall Hydrant with satin finish Nikaloy face, 3/4" H.P.T. outlet, integral vacuum breaker-backflow preventer, pressure relief valve, bronze operating parts convertible into service tool, 3/4" female and 1" male N.P.T. inlet connection.

Available Options

- 50 Satin Finish Bronze Face
- 72 Wall Clamp
- 73 Solder Inlet Adapter
- 74 Union Elbow Assembly
- 91 1" Hose Pipe Threaded Outlet

TYPE NO.	LBS.
71070	4



△ WHEN UNION ELBOW IS USED, THIS DIM. IS 5-3/4" OVERALL.

BWW, HYDRANTS & SHOCKS