

75000 SERIES STAINLESS STEEL

APPLICATION

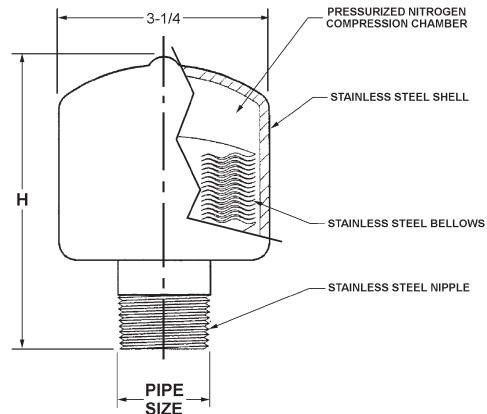
For use where hydrostatic shock may be present such as near flush valves, faucets, laundry machines, dishwashers or any type of pneumatic, electric or spring-loaded quick closing valve.

SPECIFICATION

JOSAM 75000 Series ABSORBOTRON II® Shock Absorber with stainless steel shell, hydro-pneumatic cushion of nitrogen, stainless steel bellows and stainless steel male threaded pipe nipple.

Type numbers 75001A through 75006F meet P.D.I. Standard WH-201 and A.S.S.E. Standard 1010.

Certificate of Compliance available on request.



TYPE NO.	P.D.I. SIZE	FIXTURE UNITS	PIPE SIZE	H	LBS.
75001A	A	1-11	3/4	3-1/8	1.0
75002B	B	12-32	1	4	1.3
75003C	C	33-60	1	4-5/8	3.0
75004D	D	61-113	1	5-1/2	4.0
75005E	E	114-154	1	7-1/16	4.5
75006F	F	155-330	1	7-1/16	5.0

75000-S SERIES COPPER

APPLICATION

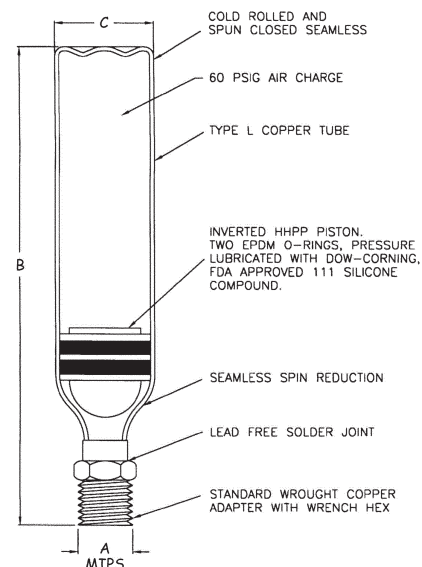
For use where hydrostatic shock may be present such as near flush valves, faucets, laundry machines, dishwashers or any type of pneumatic, electric or spring-loaded quick closing valve.

SPECIFICATION

JOSAM 75000-S Series ABSORBOTRON II® Shock Absorber with wrought copper shell, hydro-pneumatic air cushion, HHPP piston, wrought copper adapter and male threaded connection.

Type numbers 75001-S through 75006-S meet A.S.S.E. Standard WH-2010.

Certificate of Compliance available on request.



TYPE NO.	P.D.I. SIZE	FIXTURE UNITS	A	B	C	LBS.
75000-S	AA	1	1/2	4-1/2	7/8	1
75001-S	A	1-11	1/2	6-1/2	1-3/8	1
75002-S	B	12-32	3/4	8-3/4	1-3/8	1
75003-S	C	33-60	1	11	1-3/8	1
75004-S	D	61-113	1	10-1/8	2-1/8	2
75005-S	E	114-154	1	12-5/8	2-1/8	3
75006-S	F	155-330	1	15-1/8	2-1/8	4

BWV, HYDRANTS & SHOCKS