

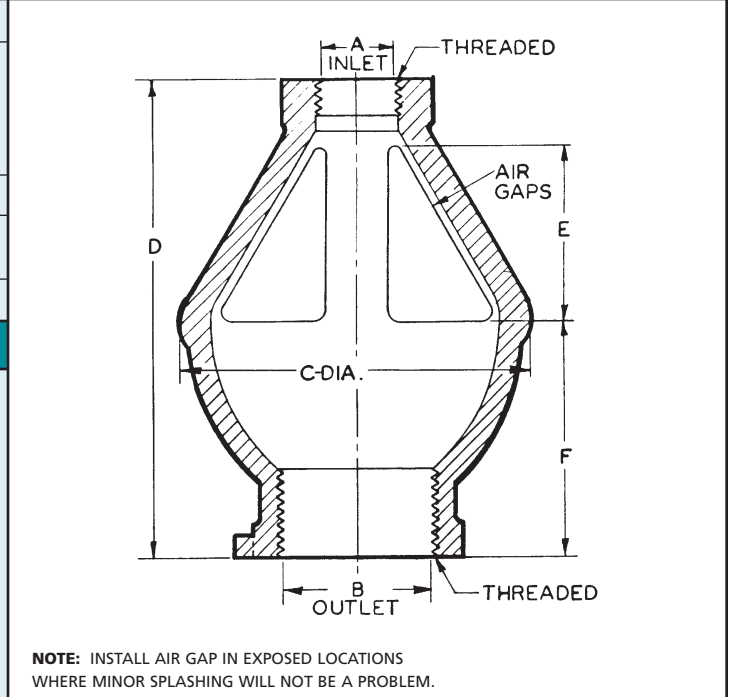
88910 SERIES AIR GAP

APPLICATION
 For use between waste outlets and the plumbing drainage system to provide protection of fixtures such as food processing equipment, hospital and laboratory devices and storage tanks, from contamination due to backflow in the drain line. Air gap prevents contamination because back siphonage is broken by the ample free area between the threaded inlet and threaded outlet.

SPECIFICATION
 JOSAM 88910 Series coated cast iron Air Gap with integrally cast air ports, female threaded inlet and outlet.

Available Option

-40 Galvanized Cast Iron Parts



TYPE NO.	A	B	C	D	E	F	LBS.
88910-1	1/4	3/4	2-1/4	3	1	1-5/8	1
88910-2	1/2	3/4	2-1/4	3	1	1-5/8	1
88910-3	1/2	1	2-1/4	3	1	1-5/8	1
88910-4	3/4	1-1/2	4	5-1/2	2	3	3
88910-5	1	1-1/2	4	5-1/2	2	3	3

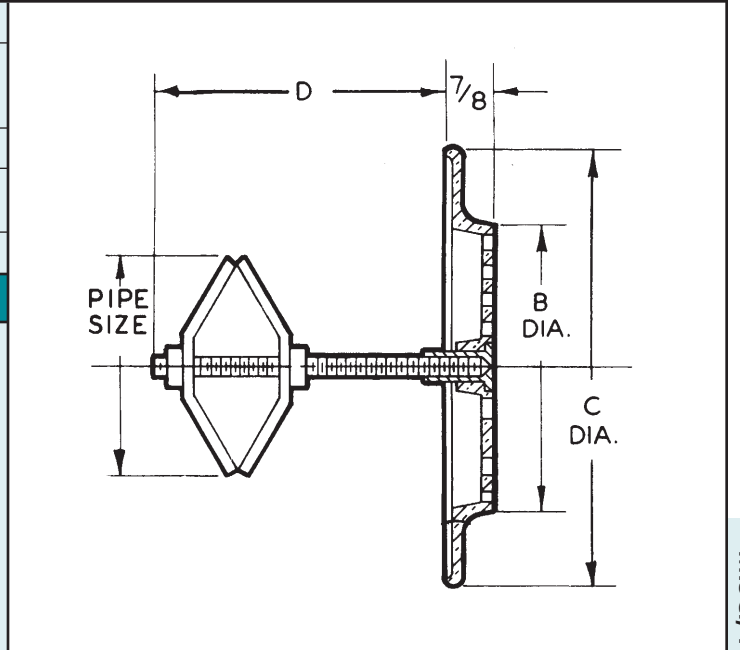
88950 SERIES FRESH AIR INLET

APPLICATION
 For use where fresh air is to be introduced into the building drainage system and protection against foreign matter is required. Unit includes steel pipe expansion anchoring device and Vandal-Proof spanner locking mechanism.

SPECIFICATION
 JOSAM 88950 Series Nikaloy Fresh Air inlet with satin perforated grille, steel pipe expansion anchoring device and Vandal-Proof spanner locking device.

Available Option

-2 Satin Finish Bronze Face



TYPE NO.	PIPE SIZE	B	C	D	FREE AREA SQ. IN.	LBS.
88952	2	5-1/4	8	5-5/8	8	3
88953	3	5-1/4	8	5-5/8	8	3
88954	4	5-1/4	8	5-5/8	8	3
88955	5	7-1/4	10	6-5/8	16	4
88956	6	9-1/4	12	7-5/8	26-3/4	6
88958	8	11-1/4	14	8-5/8	40	8

MISC., TRAPS & ACCESS.