

30000-PVC SERIES **PVC BODY WITH COLLAR**

APPLICATION

For use with all adjustable strainers. Wide flange anchors drain body in concrete and works in conjunction with the clamp collar to redirect waste through the collar's weepholes if seepage occurs around the strainer. The WEJLOC® clamp provides a non-puncturing positive bond of the waterproofing membrane to the drain body for applications where floors with standing water are to be sealed off from areas below. The collar is also invertible for extra vertical strainer adjustment to meet finished floor level.

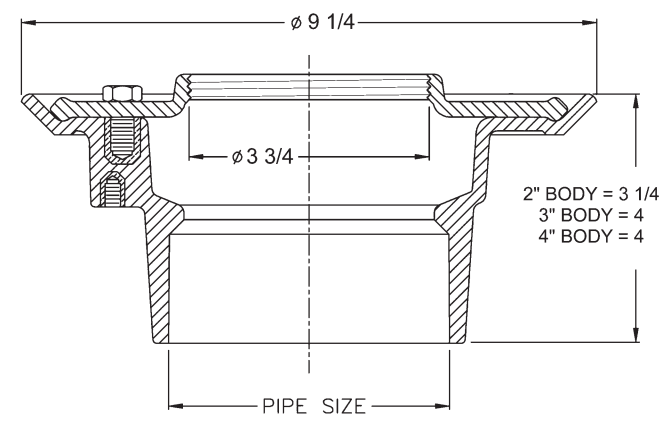
SPECIFICATION

JOSAM 30000-PVC Series PVC Floor Drain, two-piece body with double drainage flange, 1/2" primer tap with plug, WEJLOC® invertible non-puncturing flashing collar with weepholes, threaded to receive all JOSAM adjustable strainers and solvent weld bottom outlet for Schedule 40 PVC Pipe.

Available Options

- MD PVC Clamp Collar with 3" Socket Connection
 - 49 3/4" Primer Tap
- OUTLET:**
- S Solvent Weld Outlet for Schedule 40 PVC Pipe

FOR USE WITH ALL JOSAM STRAINERS & ACCESSORIES



FOR OUTLET TYPE SPECIFY -S

TYPE NO.	PIPE SIZE	LBS.
30002-PVC	2	2
30003-PVC	3	2
30004-PVC	4	2

30300-PVC SERIES **COMBINATION 3" X 4" PVC BODY**

APPLICATION

For use with all adjustable strainers in ground-floor installations where clamp device is not required.

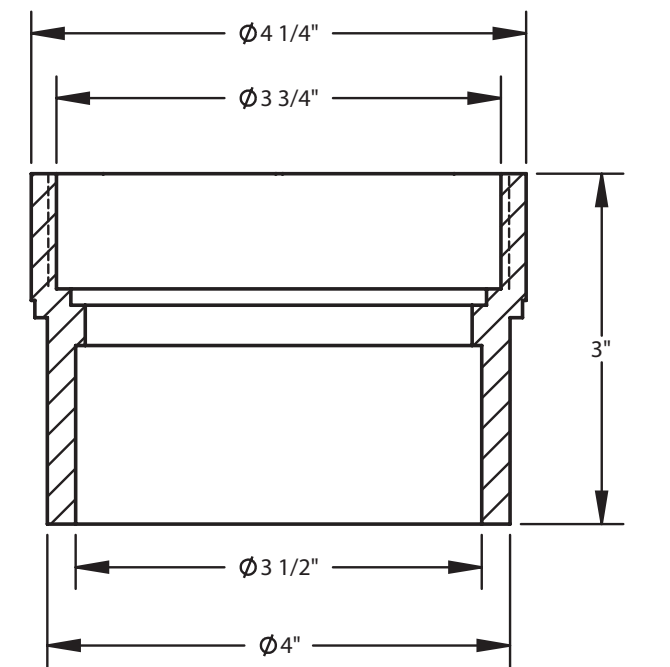
SPECIFICATION

JOSAM 30300-PVC Series PVC Body, threaded to receive all JOSAM adjustable strainers. Combination 3" x 4" solvent weld bottom outlet fits over 3" or inside 4" Schedule 40 PVC Pipe.

Available Options

- OUTLET:**
- S Solvent Weld Outlet for Schedule 40 PVC Pipe

FOR USE WITH ALL JOSAM STRAINERS & ACCESSORIES



TYPE NO.	PIPE SIZE	LBS.
30300-PVC	3 X 4	1

PVC PRODUCTS