

## A SERIES

## ROUND NIKALOY SUPER-FLO® STRAINER

### APPLICATION

For use in finished areas with pedestrian traffic such as toilet and shower rooms.

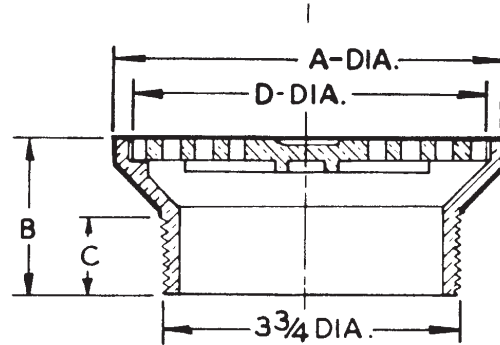
FOR USE WITH 30000-PVC  
AND 30304-PVC BODIES

### Available Options

- SS Stainless Steel, 5A, 6A, 7A, 8A
- 2 Satin Finish Bronze
- 80 Perforated Stainless Steel Basket
- CP Chrome Plated, 5A, 6A
- J Backwater Valve
- VP Secured Grate, Vandal-Proof Screws

•Not SUPER-FLO® Design

| TYPE NO. | A  | B       | C     | D      | FREE AREA | LBS. |
|----------|----|---------|-------|--------|-----------|------|
| 5A       | 5  | 1-15/16 | 1-1/8 | 4-5/8  | 7.8       | 2    |
| 6A       | 6  | 2-1/4   | 15/16 | 5-1/4  | 11.0      | 3    |
| 7A       | 7  | 2-11/16 | 1-1/2 | 6-7/16 | 13.2      | 4    |
| 8A       | 8  | 2-1/2   | 7/8   | 7-1/8  | 16.2      | 5    |
| 9A•      | 9  | 2-1/4   | 1     | 8-1/8  | 21.1      | 7    |
| 10A•     | 10 | 2-1/4   | 1-1/8 | 9      | 28.0      | 9    |



## S SERIES

## SQUARE NIKALOY SUPER-FLO® STRAINER

### APPLICATION

For use in pedestrian traffic areas where square complements construction or floor finish, such as ceramic tile showers or kitchen floors.

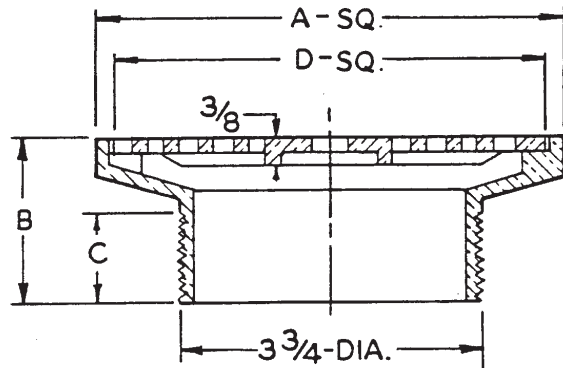
FOR USE WITH 30000-PVC  
AND 30304-PVC BODIES

### Available Options

- SS Stainless Steel, 5S, 6S, 8S
- 2 Satin Finish Bronze
- 80 Perforated Stainless Steel Basket
- CP Chrome Plated, 5S, 6S
- J Backwater Valve
- VP Secured Grate, Vandal-Proof Screws

•Not SUPER-FLO® Design

| TYPE NO. | A | B     | C   | D     | FREE AREA | LBS. |
|----------|---|-------|-----|-------|-----------|------|
| 5S       | 5 | 1-3/4 | 7/8 | 4-1/2 | 9.1       | 3    |
| 6S       | 6 | 2-1/8 | 1   | 5-5/8 | 13.8      | 4    |
| 8S       | 8 | 2-3/8 | 1   | 7-1/2 | 24.5      | 9    |
| 9S•      | 9 | 2-3/8 | 1   | 8-5/8 | 28.0      | 10   |



## 32100-PVC SERIES

## PVC DRAIN ASSEMBLY, 9" ROUND TOP

### APPLICATION

For use in moderate traffic areas such as mechanical rooms and auto garages for any type of floor construction where a small to medium flow of liquid is anticipated.

### SPECIFICATION

JOSAM 32100-PVC Series PVC Floor Drain, two-piece body with double drainage flange, WEJLOC® non-puncturing clamp collar with weepholes, 9" round PVC grate and solvent weld bottom outlet for Schedule 40 PVC pipe.

### Available Options

- HG Half Grate
- B Bucket
- 49 3/4" Primer Tap
- 50 1/2" Primer Tap
- OUTLET:**
- S Solvent Weld Outlet for Schedule 40 PVC Pipe

FOR OUTLET TYPE SPECIFY -S

| TYPE NO.  | PIPE SIZE | LBS. |
|-----------|-----------|------|
| 32102-PVC | 2         | 4    |
| 32103-PVC | 3         | 4    |
| 32104-PVC | 4         | 4    |

