

35100-PVC SERIES PVC DRAIN ASSEMBLY, 8" SQUARE CAST IRON TOP

APPLICATION

For use in heavy traffic areas, such as warehouses and storage rooms, for any type of floor construction where a square top complements construction or floor finish and where a small to medium flow of liquid is anticipated.

SPECIFICATION

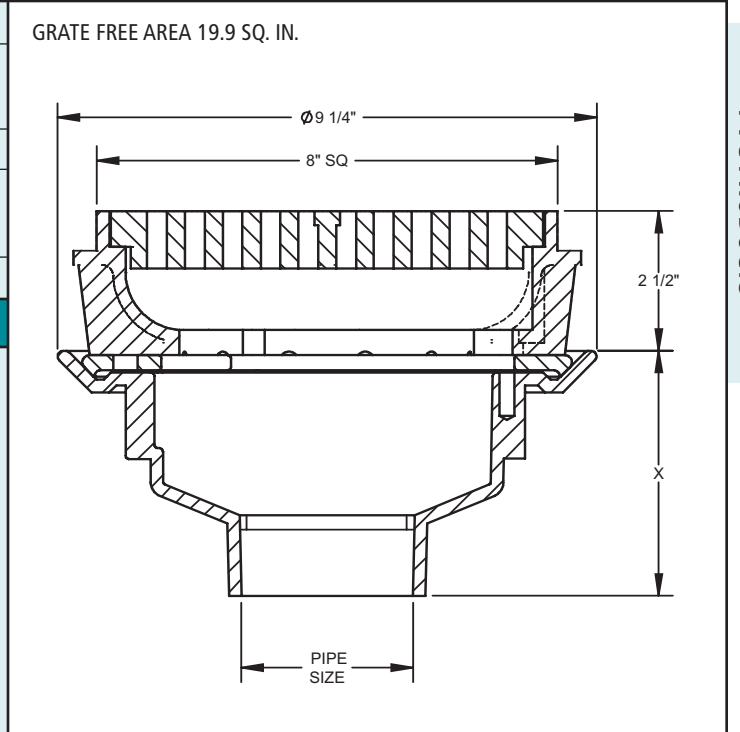
JOSAM 35100-PVC Series PVC Floor Drain, two-piece body with double drainage flange, non-puncturing clamp collar with weepholes, 8" cast iron square top with heavy-duty loose-set cast iron grate and solvent weld bottom outlet for Schedule 40 PVC pipe.

Available Options

- 1 Satin Finish Nikaloy Top
- 2 Satin Finish Bronze Top
- 15 Chained Grate
- 49 3/4" Primer Tap
- 50 1/2" Primer Tap

OUTLET:

- S Solvent Weld Outlet for Schedule 40 PVC Pip



FOR OUTLET TYPE SPECIFY -S

TYPE NO.	PIPE SIZE	X	LBS.
35102-PVC	2	3-1/4	27
35103-PVC	3	4	27
35104-PVC	4	4	27

37800-PVC SERIES SHALLOW SUMP, 12" SQUARE CAST IRON TOP

APPLICATION

For use in medium traffic areas, such as decks and storage rooms, for any type of floor construction where a square top complements construction or floor finish and a medium flow of liquid is anticipated.

SPECIFICATION

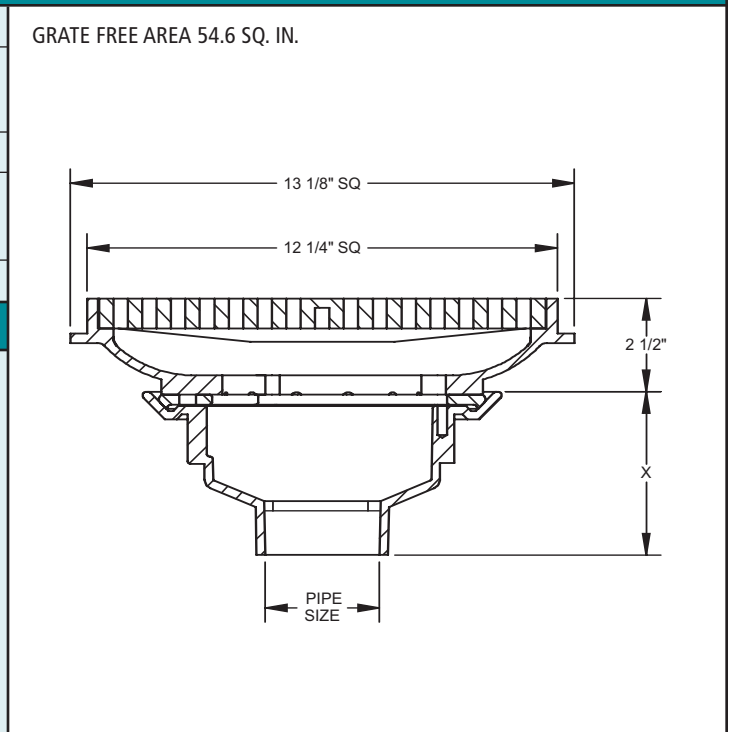
JOSAM 37800-PVC Series PVC Floor Drain, two-piece body with flashing flange, shallow body, non-puncturing flashing collar, weepholes, 12" cast iron square top with heavy-duty loose-set cast iron grate and solvent weld bottom outlet for Schedule 40 PVC pipe.

Available Options

- VP Secured Grate, Vandal-Proof Screws
- 14 Hinged Top
- 18 Hinged Top with Latching Device
- 19 C.I. Undergrate with Satin Finish Nikaloy Top
- 20 C.I. Undergrate with Satin Finish Bronze Top
- 49 3/4" Primer Tap
- 50 1/2" Primer Tap

OUTLET:

- S Solvent Weld Outlet for Schedule 40 PVC Pipe



FOR OUTLET TYPE SPECIFY -S

TYPE NO.	PIPE SIZE	X	LBS.
37802-PVC	2	3-1/4	49
37803-PVC	3	4	49
37804-PVC	4	4	49

PVC PRODUCTS