

49320-PVC SERIES

PVC BODY/DOME ASSEMBLY, FULL GRATE

APPLICATION

For use in non-traffic areas such as kitchens, supermarkets and hospitals. The 9" square grate and medium sump accept moderate flow and the dome strainer intercepts debris which could block the drain line.

SPECIFICATION

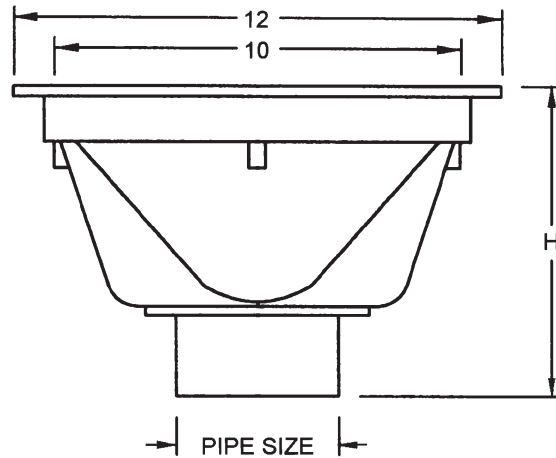
JOSAM 49320-PVC Series PVC Floor/Drain Sink, 12" x 12" top with full PVC medium-duty grate, aluminum dome and solvent weld bottom outlet for Schedule 40 PVC pipe.

Available Options

- LG Less Grate
- HG 1/2 Grate
- 3Q 3/4 Grate
- NB Nickel Bronze Traffic Top
- 3 1/2 Grate, Nickel Bronze
- 4 3/4 Grate, Nickel Bronze
- 5 Nikaloy Extra Heavy-Duty Grate & Rim
- 7 Full Grate with 2-1/2" Center Opening
- VP Secured Grate, Vandal-Proof, NB Only
- 16 Grate with 4" Round Funnel, NB Only
- 17 Grate with 6" Round Funnel, NB Only
- 18 Grate with 9" x 3-1/2" Oval Funnel, NB Only
- 24 Chained Grate, NB Only
- 50 1/2" Primer Tap

OUTLET:

- S Solvent Weld Outlet for Schedule 40 PVC Pipe



FOR OUTLET TYPE SPECIFY -S

TYPE NO.	PIPE SIZE	H	LBS.
49322-PVC	2	6-7/8	8
49323-PVC	3	7-5/8	8
49324-PVC	4	7-7/8	8

58360 SERIES

ADJUSTABLE FLOOR CLEANOUT

APPLICATION

For use in finished floors subject to pedestrian and light wheel traffic such as strip malls and light commercial buildings where a full line sized plug is not required. Top design allows for adjustment.

SPECIFICATION

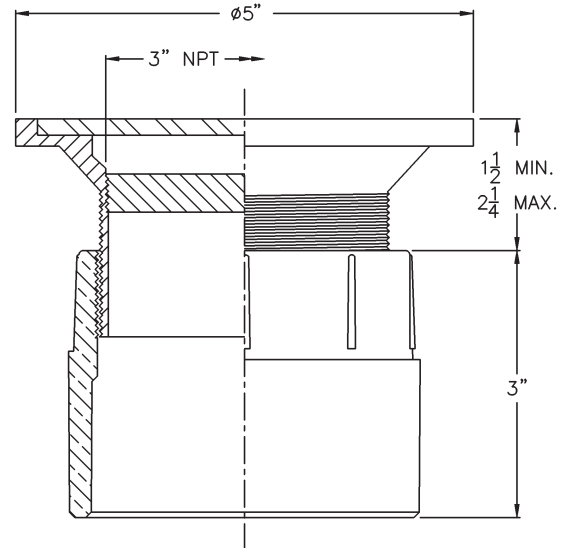
JOSAM 58630-PVC Series PVC Cleanout, round Nikaloy adjustable top with internal bronze plug. Combination 3" x 4" solvent weld bottom outlet fits over 3" or inside 4" Schedule 40 PVC Pipe.

Available Options

- 2 Satin Finish Bronze Top
- 14 Carpet Cleanout Marker
- VP Secured Cover, Vandal-Proof Screws

OUTLET:

- S Solvent Weld Outlet for Schedule 40 PVC Pipe



FOR OUTLET TYPE SPECIFY -S

TYPE NO.	PIPE SIZE	LBS.
58360-PVC	3 X 4	4