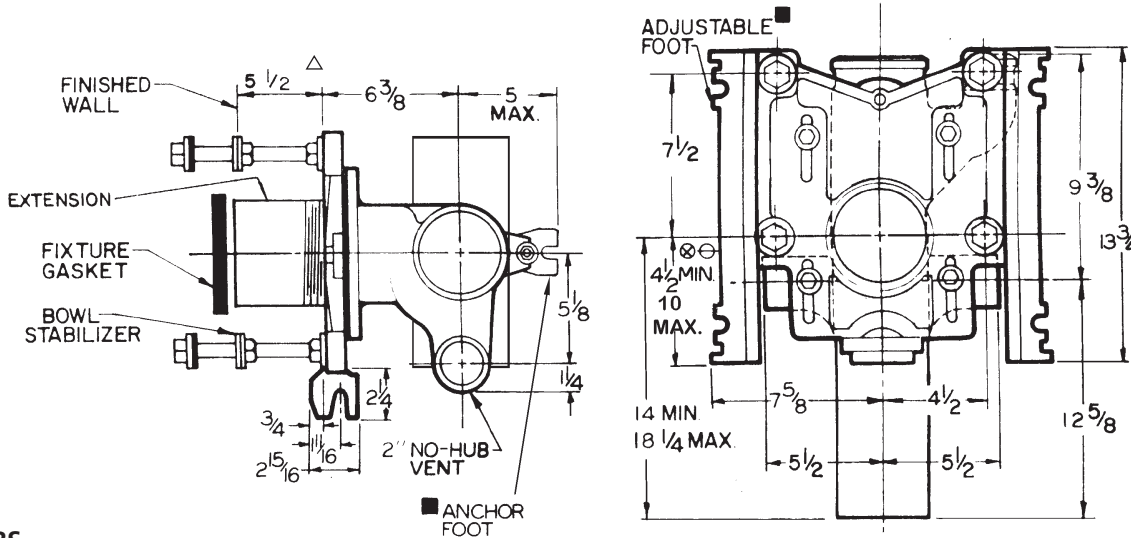


## VERTICAL 4" NO-HUB, ADJUSTABLE, SINGLE

**12714**

**APPLICATION:** For use with Siphon Jet or Blowout Closets in No-Hub piping systems where single adjustable fitting with vertical flow is desired.

Single Fitting, On Stack, Right-Hand 2" Vent



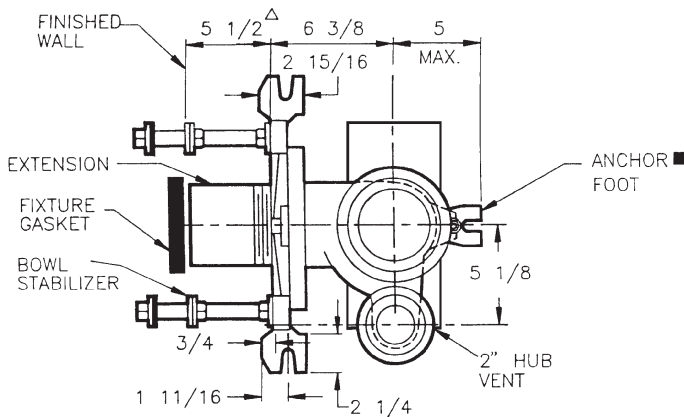
**72 LBS.**

### OPTIONS

- PF Pylon Foot, Std.
- OR O-Ring Carrier
- SD Special-Duty 500 lb. Carrier
- ▼ -HS Hub & Spigot
- ▼ -LH4 Left-Hand 4" No-Hub Branch
- ▼ -HLH4 Left-Hand 4" Hub Branch
- ▼ -RH4 Right-Hand 4" No-Hub Branch
- ▼ -HRH4 Right-Hand 4" Hub Branch
- ▼ -D4 Double 4" No-Hub Branches
- ▼ -HD4 Double 4" Hub Branches
- VP Vandal-Proof Trim
- 1 Positioning Frame
- 6 Supply Pipe Support (Specify Type of Pipe)
- 10 ABS Extension, through 10-1/2" Wall
- 24 Carrier for Floor-Mounted, Back-Outlet China Bowls
- 30 Cast Iron Adjustable Extension with Connector
- 30-2 Cast Iron Adjustable Extension with Connector and Test Cap
- 32 Carrier for Wide Chase Installations
- 35 Closet Carrier for Wheelchair High Rough
- 49 No-Hub High Auxiliary Inlet, Under Vent
- 50 No-Hub High Auxiliary Inlet, Opposite Vent
- 53 Threaded High Auxiliary Inlet, Under Vent
- 54 Threaded High Auxiliary Inlet, Opposite Vent

### 12714-HS SERIES

Single, Right-Hand 2" Vent, Hub & Spigot

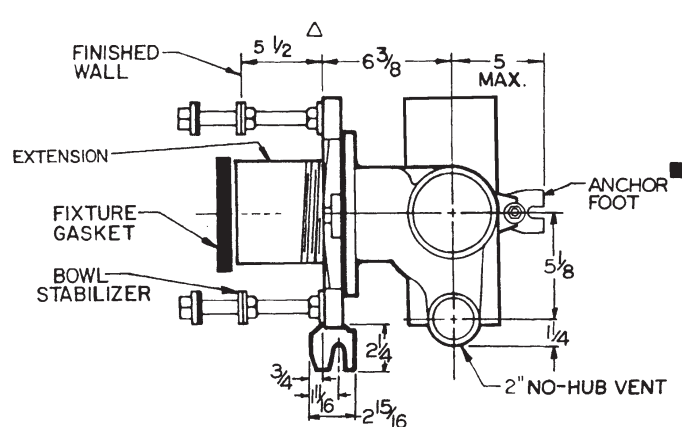


**83 LBS.**

OPTIONS N/A: -LH4, -RH4, D4

### 12714-RH4 SERIES

Single, Right-Hand 4" Branch, Right-Hand 2" Vent



**71 LBS.**

OPTIONS N/A: -49, -53

■ RECOMMENDED ALL FEET BE SECURED TO FLOOR WITH 1/2" BOLTS AND ANCHORS BY OTHERS.

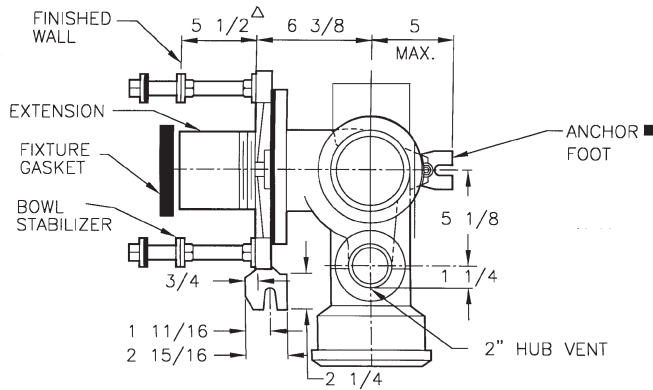
DIM. SHOWN IS FOR SIPHON JET. BLOWOUT IS: ⊕ 11" MIN. & 16-1/2" MAX.

⊗ FOR ROUGHING OVER 6" FOR SIPHON JET OR 12-1/2" FOR BLOWOUT, SPECIFY ON ORDER.

△ FOR DIM. SHORTER THAN 5-1/2" (1" MIN.) CUT EXT. SPECIFY -10 FOR LONGER EXT. (10-1/2" MAX.)

**12714-HS-HRH4 SERIES**

Single, Right-Hand Branch, Right-Hand 2" Vent

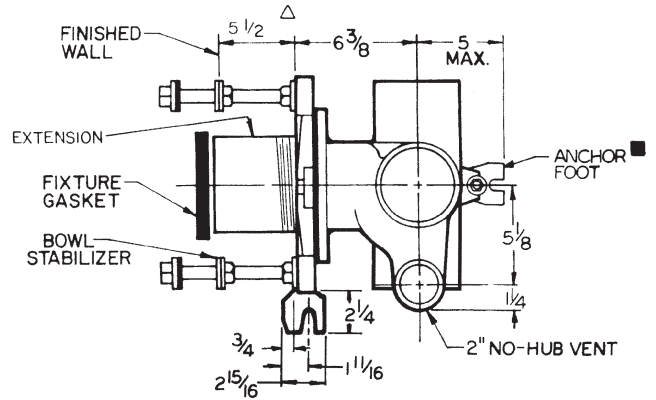


**84 LBS.**

OPTIONS N/A: -49, -53

**12714-LH4 SERIES**

Single, Left-Hand 4" Branch, Right-Hand 2" Vent

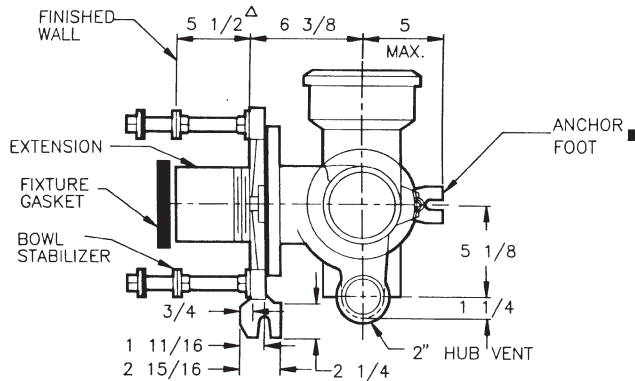


**71 LBS.**

OPTIONS N/A: -50, -54

**12714-HS-HLH4 SERIES**

Single, Left-Hand Branch, Right-Hand 2" Vent

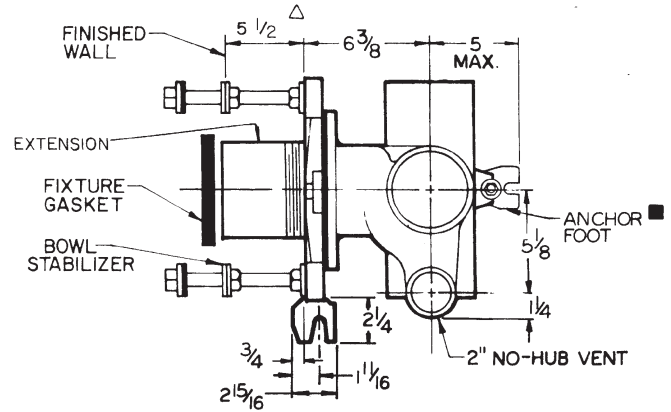


**84 LBS.**

OPTIONS N/A: -50, -54

**12714-D4 SERIES**

Single, Two 4" Branches, Right-Hand 2" Vent

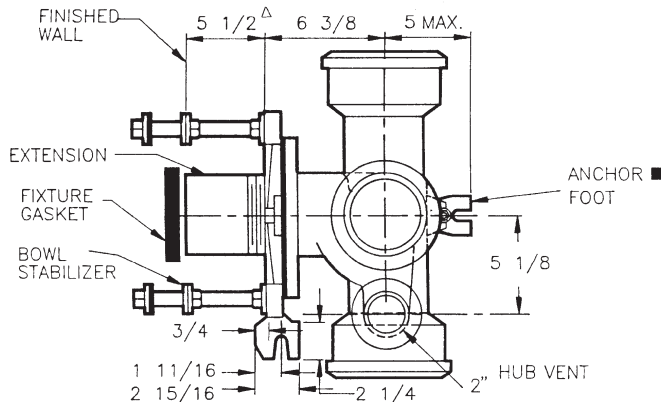


**70 LBS.**

OPTIONS N/A: -49, -50, -53, -54

**12714-HS-HD4 SERIES**

Single, Two 4" Branches, Right-Hand 2" Vent



**86 LBS.**

OPTIONS N/A: -49, -50, -53, -54

RECOMMENDED ALL FEET BE SECURED TO FLOOR WITH 1/2" BOLTS AND ANCHORS BY OTHERS.

FOR DIM. SHORTER THAN 5-1/2" (1" MIN.) CUT EXT. SPECIFY -10 FOR LONGER EXT. (10-1/2" MAX.)