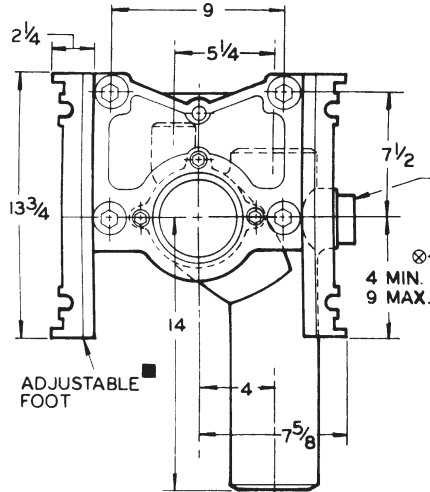


VERTICAL 4" NO-HUB, CLOSE, SINGLE

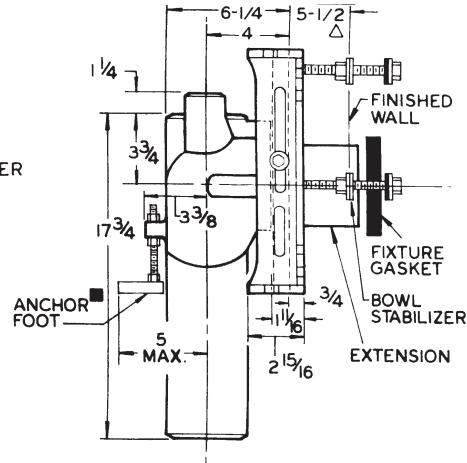
14404 & 14424

APPLICATION: For use with Siphon Jet or Blowout Closets in No-Hub piping systems where single compact offset fitting with 2" auxiliary inlet vertical flow is desired.

14404 Single Fitting, Left-Hand Offset, Left-Hand 2" Vent (Shown)
14424 Single Fitting, Right-Hand Offset, Right-Hand 2" Vent (Opposite)



FOR 2" NO-HUB AUX. INLET, EITHER CUT IN FIELD OR SPECIFY (-50). THREADED (-54).



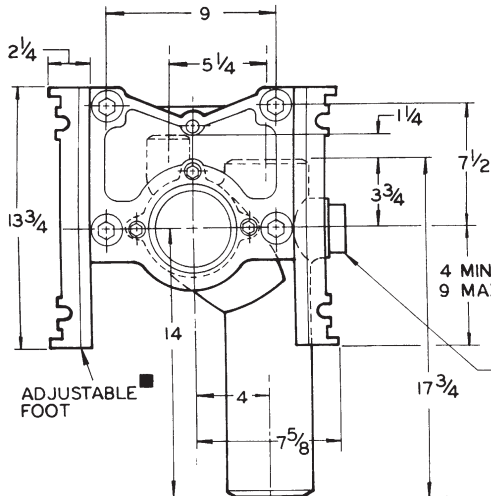
60 LBS.

VERTICAL 4" NO-HUB, CLOSE, BACK-TO-BACK

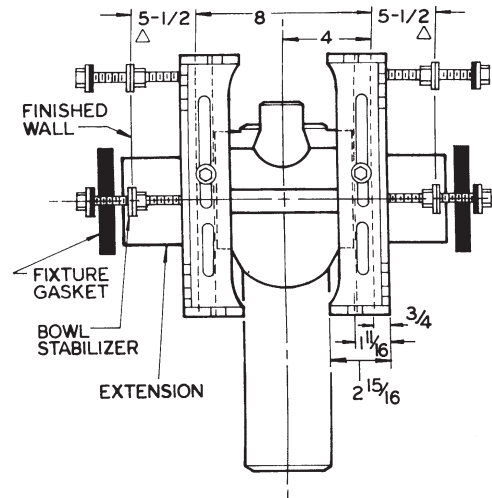
14444

APPLICATION: For use with Siphon Jet or Blowout Closets in No-Hub piping systems where back-to-back compact offset fitting with 2" auxiliary inlet vertical flow is desired.

Back-to-Back Fitting, Offset, 2" Vent



FOR 2" NO-HUB AUX. INLET, EITHER CUT IN FIELD OR SPECIFY (-50). THREADED (-54).



90 LBS.

OPTIONS & NOTES

- | | | | |
|-----|--|-------|---|
| -SD | Special Duty 500 lb. Carrier | -24 | Carrier for Floor-Mounted, Back-Outlet China Bowls |
| -VP | Vandal-Proof Trim | -30 | Cast Iron Adjustable Extension with Connector |
| -1 | Positioning Frame | -30-2 | Cast Iron Adjustable Extension with Connector and Test Cap Assembly |
| -6 | Supply Pipe Support (Specify Type of Pipe) | -50 | No-Hub High Auxiliary Inlet, Opposite Vent |
| -10 | ABS Extension, through 10-1/2" Wall | -54 | Threaded High Auxiliary Inlet, Opposite Vent |

■ RECOMMENDED ALL FEET BE SECURED TO FLOOR WITH 1/2" BOLTS AND ANCHORS BY OTHERS.

DIM. SHOWN IS FOR SIPHON JET. BLOWOUT IS: ⊕ 11" MIN. & 16-1/2" MAX.

⊗ FOR ROUGHING OVER 6" FOR SIPHON JET OR 12-1/2" FOR BLOWOUT, SPECIFY ON ORDER.

△ FOR DIM. SHORTER THAN 5-1/2" (1" MIN.) CUT EXT. SPECIFY -10 FOR LONGER EXT. (10-1/2" MAX.)