

17590 SERIES

WALL-MOUNT, Hanger Plate Type

APPLICATION

For use with lavatories furnished with hangers that require a carrier for support where wall construction will support the fixture and carrier assembly.

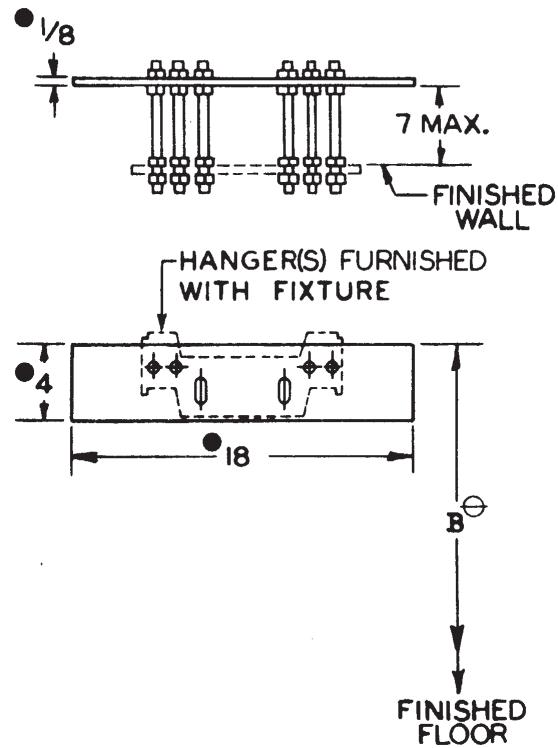
SPECIFICATION

JOSAM 17590 Series wall-mounted, single Lavatory Carrier with hanger plate and adjustable supporting rods.

Available Options

- ▼ -DP Double Plate Carrier
- ▼ -UR Urinal Carrier
- 10 Hardware for Walls over 7", Specify Wall Thickness
Hardware for Walls over 4" on 17590-DP and 17590-UR-DP, Specify Wall Thickness

⊖ VARIABLE – DEPENDS ON FIXTURE.
● STD. PLATE IS 3/16" x 4" x 21-1/2".



4 LBS

17590-DP SERIES

WALL-MOUNT, -DP Double Plate Carrier

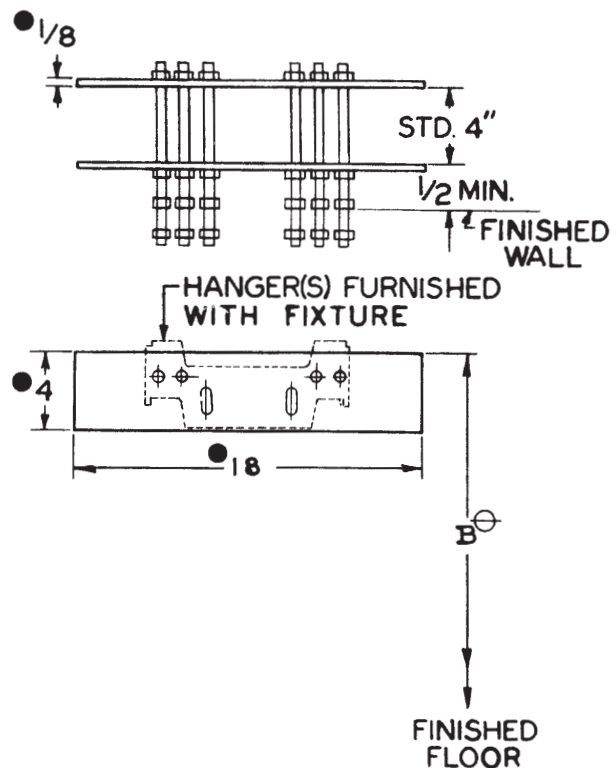
APPLICATION

For use with lavatories furnished with hangers that require a carrier for support where wall construction will support the fixture and carrier assembly.

SPECIFICATION

JOSAM 17590-DP Series wall-mounted single Lavatory Carrier with hanger plates and adjustable supporting rods.

⊖ VARIABLE – DEPENDS ON FIXTURE.
● STD. PLATE IS 3/16" x 4" x 21-1/2".



7 LBS

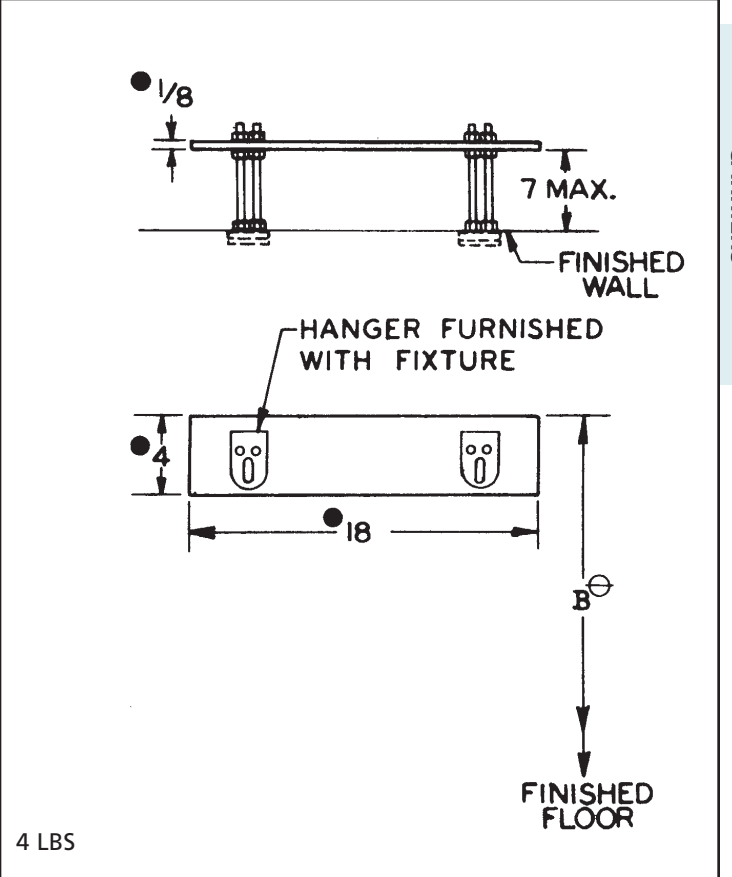
17590-UR SERIES WALL-MOUNT, -UR Urinal Carrier

APPLICATION

Multipurpose carrier for use with urinals furnished with hangers that require a carrier for support where wall construction will support the fixture and carrier assembly.

SPECIFICATION

JOSAM 17590-UR Series wall-mounted single Urinal Carrier with hanger plate and adjustable supporting rods.



⊕ VARIABLE – DEPENDS ON FIXTURE.
● STD. PLATE IS 3/16" x 4" x 21-1/2".

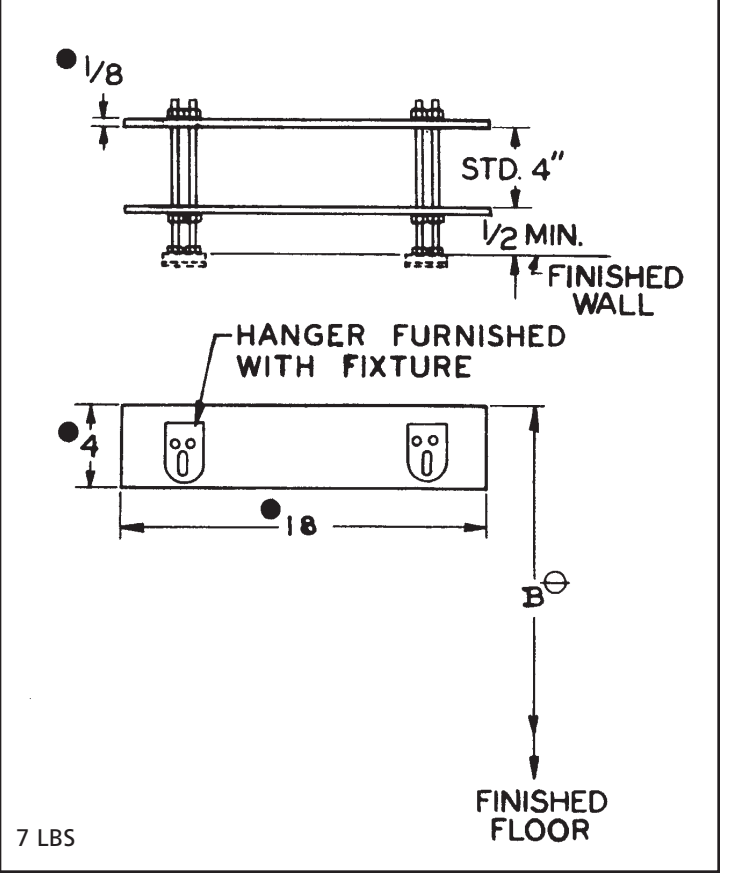
17590-UR-DP SERIES WALL-MOUNT, -UR Urinal Carrier with -DP Double Plates

APPLICATION

For use with urinals furnished with hangers that require a carrier for support where wall construction will support the fixture and carrier assembly.

SPECIFICATION

JOSAM 17590-UR-DP Series wall-mounted single Urinal Carrier with hanger plates and adjustable supporting rods.



⊕ VARIABLE – DEPENDS ON FIXTURE.
● STD. PLATE IS 3/16" x 4" x 21-1/2".