

17730 SERIES

FLOOR-MOUNT with Adjustable Coupling

APPLICATION

For use with 4" back-outlet flushing rim service sinks designed for hanging on heavy-duty studs with support plates and 4" piping connection where thin wall construction demands uprights that support the fixture completely independent of the wall.

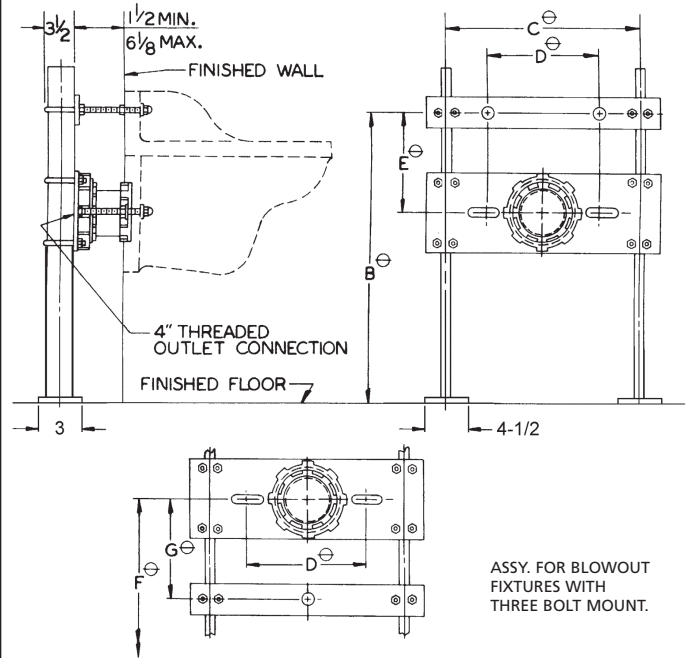
SPECIFICATION

JOSAM 17730 Series floor-mounted single heavy-duty Sink Carrier with support plates, adjustable coupling with 4" piping connection, mounting studs, structural uprights, welded feet and chrome-plated trim.

Available Options

- VP Vandal-Proof Trim
- 11 Cast Iron Adjustable Extension through 12" Length, Specify 6", 9", 12" on Order
- 60 Valve Plate for Attaching to Upright

⊖ VARIABLE – DEPENDS ON FIXTURE.
RECOMMEND ALL FEET BE SECURED TO FLOOR WITH 1/2" BOLTS AND ANCHORS BY OTHERS.



45 LBS

17735 SERIES

FLOOR-MOUNT with Fitting

APPLICATION

For use with 4" back-outlet flushing rim service sinks designed for hanging on heavy-duty studs with support plates and 4" x 2" waste fitting where thin wall construction demands uprights that support the fixture completely independent of the wall.

SPECIFICATION

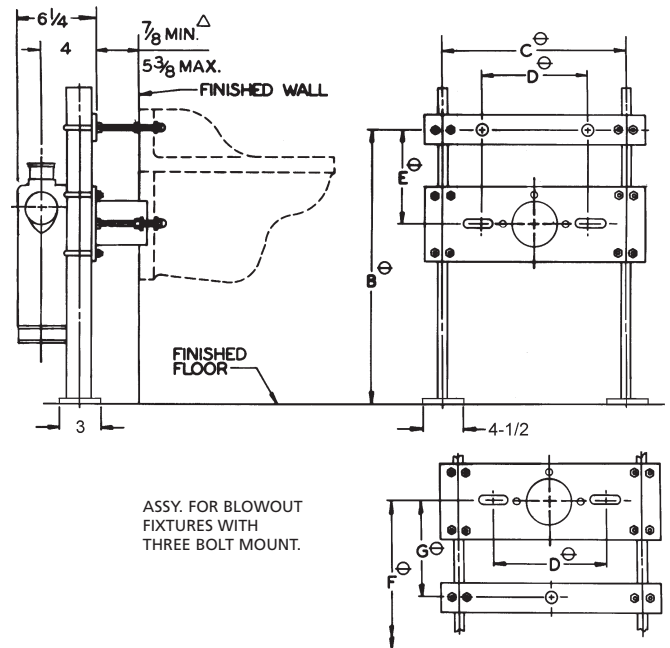
JOSAM 17735 Series floor-mounted single heavy-duty Sink Carrier with support plates, adjustable coupling with 4" x 2" waste fitting, mounting studs, structural uprights, welded feet and chrome-plated trim.

Available Options

- VP Vandal-Proof Trim
- 10 Hardware for Walls Over 5-3/8", Specify Wall Thickness
- 45 Threaded High Left-Hand Auxiliary Vent
- 46 Threaded High Right-Hand Auxiliary Vent

NOTE: Other Fittings Available on Request.
Contact your JOSAM Representative.

⊖ VARIABLE – DEPENDS ON FIXTURE.
△ FOR DIM. LESS THAN 5-3/8", CUT EXT.
RECOMMEND ALL FEET BE SECURED TO FLOOR WITH 1/2" BOLTS AND ANCHORS BY OTHERS.



55 LBS