

22100 SERIES SMALL SUMP, Combination Drain/Overflow

APPLICATION

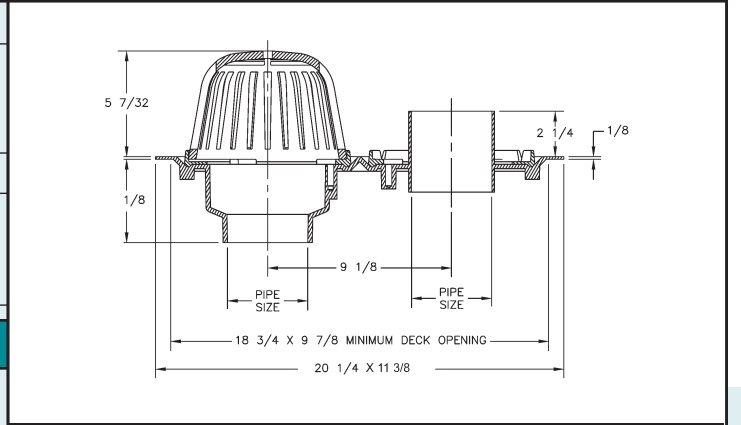
Used on small roofs, gutters or valleys of any construction. Integral outlets for roof and overflow drainage in one-piece body for limited space installation. WEJLOC® compression flashing clamps hold the membrane or flashing to the drain body. Small beehive domes provide ample drainage for small roof decks and intercept debris.

SPECIFICATION

JOSAM 22100 Series coated cast iron combination Roof Drain and Overflow Drain with cast iron domes, two WEJLOC® non-puncturing clamp rings with integral gravel stops, integral cast iron standpipe in cast iron deck flange and dual no-hub bottom outlets.

Available Options

- 10 Fixed Extension Collar, Cast Iron, (Specify Hgt) 1" Std.
 - 20 Galvanized Cast Iron Parts
 - 23 Rough Bronze Dome
 - 28 Cast Iron Dome for Overflow Drain
 - 33 Stainless Mesh Screen-Covered Dome
 - VP Vandal-Proof Dome
 - IRMA Perforated Stainless Steel Extension
- OUTLETS:**
- Z No-Hub Spigot Outlets



FOR OUTLET TYPE SPECIFY -Z

TYPE NO.	PIPE SIZE	LBS.
22102	2	37
22103	3	37
22104	4	38

22200 SERIES MEDIUM SUMP, Combination Drain/Overflow

APPLICATION

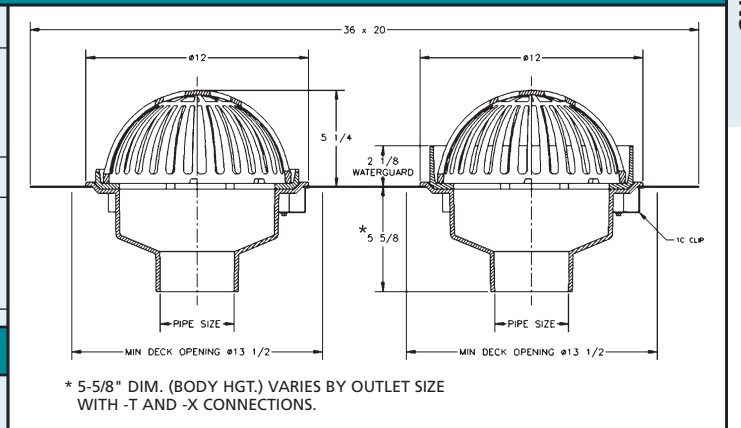
Combination Roof Drain/Overflow Drain. One-piece double drain receiver positions roof drain, overflow drain side by side, requiring single deck penetration. Medium sumps selected for anticipated flow. Combination non-puncturing clamp ring, gravel stop ensures watertight seal at the surface.

SPECIFICATION

JOSAM 22200 Series coated cast iron 12" diameter Combination Roof Drain and Overflow Drain, one WEJLOC® non-puncturing clamp ring with integral gravel stop and cast iron dome, one non-puncturing clamp ring with solid waterguard, double drain receiver and clips and cast iron beehive dome.

Available Options

- 10 Fixed Extension Collar, Cast Iron, (Specify Hgt) 1" Std.
 - 20 Galvanized Cast Iron Parts
 - 23 Rough Bronze Domes
 - 33 Stainless Mesh Screen-Covered Domes
 - VP Vandal-Proof Domes
 - IRMA Perforated Stainless Steel Extensions
- OUTLETS:**
- T Threaded Outlets
 - X Inside Caulk Outlets
 - Z No-Hub Spigot Outlets



FOR OUTLET TYPE SPECIFY -T, -X or -Z

TYPE NO.	PIPE SIZE	LBS.	TYPE NO.	PIPE SIZE	LBS.
22202	2	55	22205	5	55
22203	3	55	22206	6	55
22204	4	55			

22500 SERIES LARGE SUMP, Combination Drain/Overflow

APPLICATION

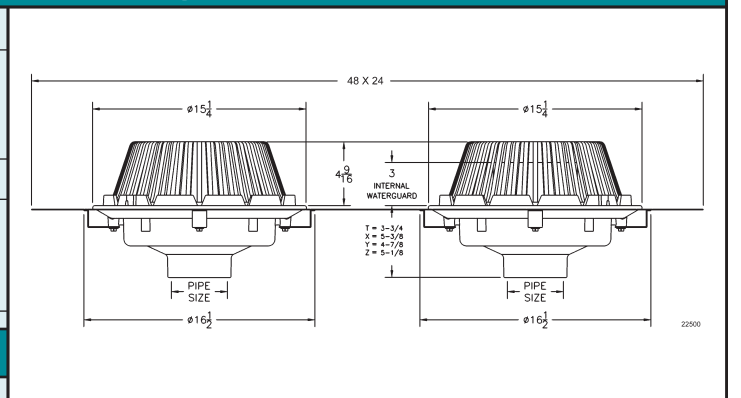
Combination Roof Drain/Overflow Drain. One-piece double drain receiver positions roof drain, overflow drain side by side, requiring single deck penetration. Large sumps selected for anticipated flow. Combination non-puncturing clamp ring, gravel stop ensure watertight seal at the surface.

SPECIFICATION

JOSAM 22500 Series coated cast iron 15" diameter Combination Roof Drain and Overflow Drain, one WEJLOC® non-puncturing clamp ring with integral gravel stop, one WEJLOC® non-puncturing clamp ring with internal waterguard, double drain receiver and clips and two large polypropylene locking domes.

Available Options

- 10 Fixed Extension Collar, Cast Iron, (Specify Hgt) 4" Std.
 - 20 Galvanized Cast Iron Parts
 - 23 Rough Bronze Domes
 - 28 Cast Iron Dome for Overflow Drains
 - 33 Stainless Mesh Screen-Covered Domes
 - VP Vandal-Proof Domes
 - IRMA Perforated Stainless Steel Extensions
- OUTLETS:**
- T Threaded Outlets
 - X Inside Caulk Outlets
 - Y Hub Outlets w/Gasket, 2"-4"
 - Z No-Hub Spigot Outlets



FOR OUTLET TYPE SPECIFY -T, -X, -Y or -Z

TYPE NO.	PIPE SIZE	LBS.	TYPE NO.	PIPE SIZE	LBS.
22502	2	65	22506	6	65
22503	3	65	22508	8	65
22504	4	65	22509-Z	10†	65
22505	5	65			

† 10" AVAILABLE IN NO-HUB ONLY

ROOF DRAINS