

23500 SERIES

LARGE SUMP, Promenade Top

APPLICATION

Used on promenade decks and roofs where foot traffic or light- to medium-weight vehicles will be present. Large square grate provides ample free area for proper drainage and has narrow slotted openings for pedestrian safety and for the interception of debris. WEJLOC® compression flashing clamp holds the membrane or flashing to the drain body.

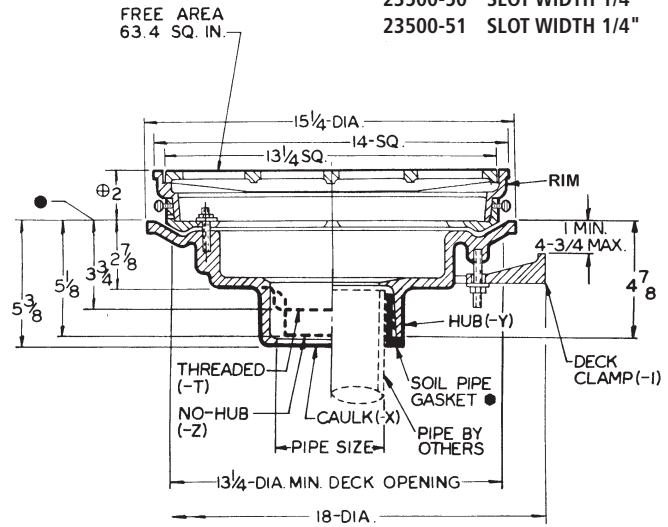
SPECIFICATION

JOSAM 23500 Series coated cast iron Roof Drain, square pedestrian grate set in square secured frame, WEJLOC® non-puncturing flashing collar with weepholes for 2" roof fill and large sump with wide roof flange and bottom outlet.

Available Options

- ▼ -AE LEVELEZE® Adjustable Extension
 - ▼ -IRMA Perforated Stainless Steel Ext.
 - CR Clamping Drain Receiver
 - PG Parking Grate, 110 Sq. In. Free Area
 - 1 Deck Clamp Assembly
 - 1C Drain Receiver Clips (Min. Deck Opening 16.5" Dia.)
 - 2 Drain Receiver
 - 3 Deck Clamp Assembly and Drain Receiver
 - 3C Drain Receiver and Drain Receiver Clips
 - 4 Secondary Flashing Clamp (use with -AE only)
 - ▼ -6 Extra Wide Flange Drain Body, (2" through 6", -X only)
 - 10 Fixed Ext. Collar, Cast Iron, (Specify Hgt) 4" Std.
 - 10-20 Fixed Ext. Collar, Galvanized, (Specify Hgt) 4" Std.
 - ▼ -18 Extra Deep Sump
 - 20 Galvanized Cast Iron Parts
 - 36 Ductile Iron Grate (Cast Iron Top Only)
 - 37-50 Heavy-Duty Ductile Iron Undergrate Laminated Top, Satin Finish Nikaloy
 - 37-51 Heavy-Duty Ductile Iron Undergrate Laminated Top, Satin Finish Bronze
 - 50 Cast Iron Undergrate Laminated Top, Satin Finish Nikaloy
 - 51 Cast Iron Undergrate Laminated Top, Satin Finish Bronze
 - VP Vandal-Proof Grate
- OUTLETS:**
- 66 No-Hub Side Outlet, 2" -6"
 - T Threaded Outlet
 - X Inside Caulk Outlet
 - Y Hub Outlet w/Gasket, 2" -4"
 - Z No-Hub Spigot Outlet

- 23500 SLOT WIDTH 5/16"
- 23500-50 SLOT WIDTH 1/4"
- 23500-51 SLOT WIDTH 1/4"



- CONFORMS WITH ASTM-C564.
- THIS DIM. IS 5-3/4" FOR 23508-T.
- ⊕ ADD 1/4" WHEN FURNISHED WITH NIKALOY OR BRONZE TOP.

FOR OUTLET TYPE SPECIFY -T, -X, -Y or -Z

TYPE NO.	PIPE SIZE	LBS.	TYPE NO.	PIPE SIZE	LBS.
23502	2	57	23506	6	59
23503	3	57	23508	8	61
23504	4	58	23509-Z	10†	62
23505	5	58	†10" AVAILABLE IN NO-HUB ONLY.		

23500-6 SERIES

LARGE SUMP with -6 Extra Wide Flange Drain Body

APPLICATION

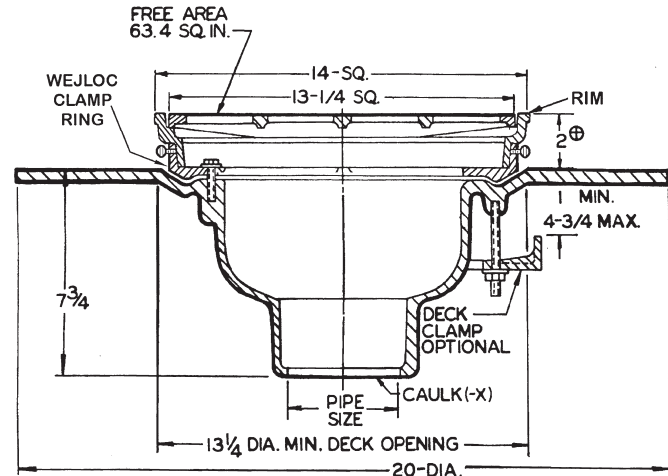
Used on promenade decks and roofs where foot traffic or light- to medium-weight vehicles will be present. Large square grate ensures ample free area for proper drainage and has narrow slot openings for pedestrian safety and the interception of debris. WEJLOC® compression flashing clamp holds the membrane or flashing to the drain body. Extra-wide deck flange provides positive support and large bonding surface for liquid applied membranes.

SPECIFICATION

JOSAM 23500-6 Series coated cast iron Roof Drain, square pedestrian grate set in a square secured frame, WEJLOC® non-puncturing flashing collar with weepholes for 2" roof fill and large sump with extra wide roof flange and bottom outlet, inside caulk connection.

- OPTIONS N/A:
-CR, -1C, -2, -3, -3C, -4

- 23500-6 SLOT WIDTH 5/16"
- 23500-6-50 SLOT WIDTH 1/4"
- 23500-6-51 SLOT WIDTH 1/4"



- ⊕ ADD 1/4" WHEN FURNISHED WITH NIKALOY OR BRONZE TOP.

FOR OUTLET TYPE SPECIFY -X

TYPE NO.	PIPE SIZE	LBS.	TYPE NO.	PIPE SIZE	LBS.
23502-6	2	80	23505-6	5	81
23503-6	3	80	23506-6	6	82
23504-6	4	81			

23500-AE SERIES LARGE SUMP with -AE Threaded Adjustable Extension

APPLICATION
 Used on promenade decks and roofs where foot traffic or light- to medium-weight vehicles will be present. Large square grate provides ample free area for proper drainage and has narrow slotted openings for pedestrian safety and for the interception of debris. WEJLOC® compression flashing clamp holds the membrane or flashing securely to the drain body. Adjustable top accommodates insulation of roof fill depth and ensures proper grate elevation at the finished deck surface.

SPECIFICATION
 JOSAM 23500-AE Series coated cast iron LEVELEZE® Roof Drain, square pedestrian grate set in square secured frame, WEJLOC® non-puncturing flashing collar with weep-holes for 2" roof fill, bolted support ring, adjustable top with wide roof flange and large sump with anchor flange and bottom outlet.

23500-AE SLOT WIDTH 5/16"
 23500-AE-50 SLOT WIDTH 1/4"
 23500-AE-51 SLOT WIDTH 1/4"

● CONFORMS WITH ASTM-C564.
 ● THIS DIM. IS 5-3/4" FOR 23508-AE-T.
 ▲ WITH CLAMP RING 2-1/4" MIN. 4-1/4" MAX.
 ⊕ ADD 1/4" WHEN FURNISHED WITH NIKALOY OR BRONZE TOP.

FOR OUTLET TYPE SPECIFY -T, -X, -Y or -Z

TYPE NO.	PIPE SIZE	LBS.	TYPE NO.	PIPE SIZE	LBS.
23502-AE	2	82	23506-AE	6	80
23503-AE	3	82	23508-AE	8	80
23504-AE	4	81	23509-AE-Z	10†	81
23505-AE	5	81	† 10" AVAILABLE IN NO-HUB ONLY		

23500-18 SERIES with -18 EXTRA DEEP SUMP

APPLICATION
 Used on promenade decks and roofs where foot traffic or light- to medium-weight vehicles will be present. Large square grate provides ample free area for proper drainage and has narrow slotted openings for pedestrian safety and for the interception of debris. Deep sump accommodates heavy flow. WEJLOC® compression flashing clamp holds the membrane or flashing securely to the drain body.

SPECIFICATION
 JOSAM 23500-18 Series coated cast iron Roof Drain, square pedestrian grate set in square secured frame, WEJLOC® non-puncturing flashing collar with weepholes, for 2" roof fill, deep sump with wide roof flange and bottom outlet.

23500-18 SLOT WIDTH 5/16"
 23500-18-50 SLOT WIDTH 1/4"
 23500-18-51 SLOT WIDTH 1/4"

⊕ ADD 1/4" WHEN FURNISHED WITH NIKALOY OR BRONZE TOP.

FOR OUTLET TYPE SPECIFY -X or -Z

TYPE NO.	PIPE SIZE	LBS.	TYPE NO.	PIPE SIZE	LBS.
23502-18	2	63	23505-18	5	65
23503-18	3	63	23506-18	6	66
23504-18	4	64			

ROOF DRAINS

23500-IRMA SERIES LARGE SUMP with Perforated Stainless Steel Extension

APPLICATION

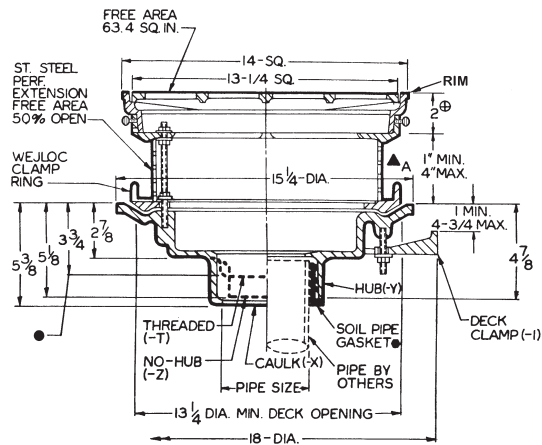
Used on promenade decks and roofs where pedestrian traffic will be present and where the "Insulated Membrane Assembly," also known as, "Inverted Membrane Assembly" is specified. Insulation is installed on top of the waterproof membrane and gravel ballast is applied over the insulation. Drain is furnished with a perforated stainless steel extension, made to the specified height of the insulation combined with the depth of the ballast. Large square grate provides ample free area for proper drainage and has narrow slotted openings for pedestrian safety and for interception of debris. WEJLOC® compression flashing clamp holds the membrane or flashing securely to the drain body.

SPECIFICATION

JOSAM 23500-IRMA Series coated cast iron Roof Drain, square pedestrian grate set in square secured frame, frame support collar, perforated stainless steel extension filter, WEJLOC® non-puncturing clamp ring and large sump with wide roof flange and bottom outlet.

OPTION N/A:
-4

23500-IRMA SLOT WIDTH 5/16"
23500-IRMA-50 SLOT WIDTH 1/4"
23500-IRMA-51 SLOT WIDTH 1/4"



- ▲ "A" DIM. SPECIFY ON ORDER.
- CONFORMS WITH ASTM-C564.
- THIS DIM. IS 5-3/4" FOR 23508-IRMA-T.
- ⊕ ADD 1/4" WHEN FURNISHED WITH NIKALOY OR BRONZE TOP.

FOR OUTLET TYPE SPECIFY -T, -X, -Y or -Z

TYPE NO.	PIPE SIZE	LBS.	TYPE NO.	PIPE SIZE	LBS.
23502-IRMA	2	59	23506-IRMA	6	61
23503-IRMA	3	59	23508-IRMA	8	63
23504-IRMA	4	60	23509-IRMA-Z	10†	64
23505-IRMA	5	60	† 10" AVAILABLE IN NO-HUB ONLY		

23500-IRMA-6 SERIES LARGE SUMP with -6 Wide Flange & Perforated SS Extension

APPLICATION

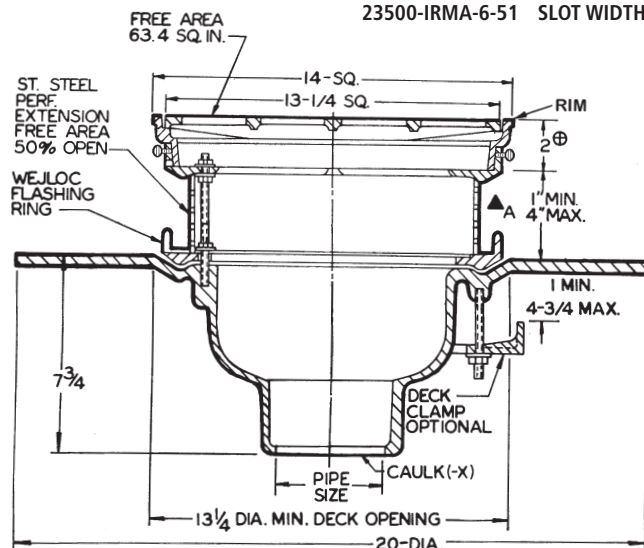
Used on promenade decks and roofs where pedestrian traffic will be present and where the "Insulated Membrane Assembly," also known as, "Inverted Membrane Assembly" is specified. Insulation is installed on top of the waterproof membrane and gravel ballast is applied over the insulation. Drain is furnished with a perforated stainless steel extension, made to the specified height of the insulation combined with the depth of the ballast. Large square grate provides ample free area for proper drainage and has narrow slotted openings for pedestrian safety and for interception of debris. WEJLOC® compression flashing clamp holds the membrane or flashing securely to the drain body. With extra-wide deck flange for positive support and large bonding surface for liquid applied membranes.

SPECIFICATION

JOSAM 23500-IRMA-6 Series coated cast iron Roof Drain, square pedestrian grate set in square secured frame, frame support collar, perforated stainless steel extension filter, WEJLOC® non-puncturing clamp ring and large sump with extra wide roof flange and bottom outlet inside caulk connection.

OPTION N/A:
-4

23500-IRMA-6 SLOT WIDTH 5/16"
23500-IRMA-6-50 SLOT WIDTH 1/4"
23500-IRMA-6-51 SLOT WIDTH 1/4"



- ▲ "A" DIM. SPECIFY ON ORDER.
- ⊕ ADD 1/4" WHEN FURNISHED WITH NIKALOY OR BRONZE TOP.

FOR OUTLET TYPE SPECIFY -X

TYPE NO.	PIPE SIZE	LBS.	TYPE NO.	PIPE SIZE	LBS.
23502-IRMA-6	2	80	23505-IRMA-6	5	81
23503-IRMA-6	3	80	23506-IRMA-6	6	82
23504-IRMA-6	4	81			