

24020 SERIES MEDIUM SUMP, SUPER-FLO® Grate for Composition Deck

APPLICATION

Used on promenade roof decks where waterproof traffic-bearing elastomeric covering is to be applied. Wide deck flange provides proper area for bonding of composition roof deck covering and distributes the drain's weight over a broad area for positive support. Mid-sized, round medium-duty SUPER-FLO® grate assures rapid drainage and protects drain and connected piping from debris.

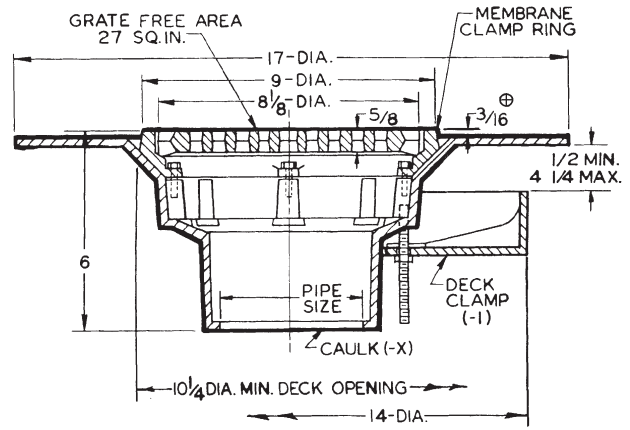
SPECIFICATION

JOSAM 24020 Series coated cast iron SUPER-FLO® Roof Drain, round medium-duty anti-tilting grate with perimeter drainage slots, set in round, non-puncturing membrane clamp ring and medium sump with 4" wide deck flange and bottom outlet, inside caulk connection.

Available Options

- 1 Deck Clamp Assembly
 - 20 Galvanized Cast Iron Parts
 - 29 Sediment Bucket, Cast Iron
 - 29-20 Sediment Bucket, Galvanized
 - 31 Chain Anchored Grate
 - 36 Ductile Iron Grate (Cast Iron Top Only)
 - 38 Less Grate
 - 50 Satin Finish Nikaloy Top
 - 51 Satin Finish Bronze Top
 - VP Vandal-Proof Grate
- OUTLET:**
- X Inside Caulk Outlet

- 24020 SLOT WIDTH 3/8"
- 24020-50 SLOT WIDTH 3/16"
- 24020-51 SLOT WIDTH 3/16"



⊕ ADD 1/4" WHEN FURNISHED WITH NIKALOY OR BRONZE TOP.

FOR OUTLET TYPE SPECIFY -X		
TYPE NO.	PIPE SIZE	LBS.
24022	2	28
24023	3	28
24024	4	29

24030 SERIES LARGE SUMP, SUPER-FLO® Grate for Composition Deck

APPLICATION

Used on promenade roof decks where waterproof traffic-bearing elastomeric covering is to be applied. Wide deck flange provides proper area for bonding of composition roof deck covering and distributes the drain's weight over a broad area for positive support. Large diameter, round medium-duty SUPER-FLO® grate assures rapid drainage and protects drain and connected piping from debris. Non-puncturing membrane clamp ensures proper seal between the drain body and the membrane.

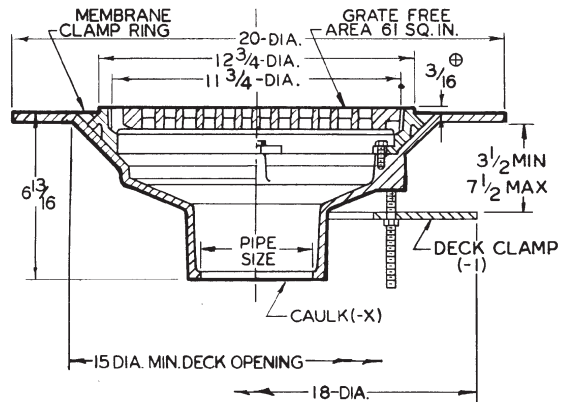
SPECIFICATION

JOSAM 24030 Series coated cast iron SUPER-FLO® Roof Drain, round medium-duty anti-tilting grate with perimeter drainage slots, set in round, non-puncturing membrane clamp ring and large sump with 4" wide deck flange and bottom outlet, inside caulk connection.

Available Options

- 1 Deck Clamp Assembly
 - 20 Galvanized Cast Iron Parts
 - 29 Sediment Bucket, Cast Iron
 - 29 -20 Sediment Bucket, Galvanized
 - 31 Chain Anchored Grate
 - 36 Ductile Iron Grate (Cast Iron Top Only)
 - 50 Satin Finish Nikaloy Top
 - 51 Satin Finish Bronze Top
 - VP Vandal-Proof Grate
- OUTLET:**
- X Inside Caulk Outlet

- 24030 SLOT WIDTH 9/16"
- 24030-50 SLOT WIDTH 7/16"
- 24030-51 SLOT WIDTH 7/16"



⊕ ADD 1/4" WHEN FURNISHED WITH NIKALOY OR BRONZE TOP.

FOR OUTLET TYPE SPECIFY -X					
TYPE NO.	PIPE SIZE	LBS.	TYPE NO.	PIPE SIZE	LBS.
24034	4	38	24036	6	42
24035	5	40	24038	8	45

ROOF DRAINS