

24500 SERIES

SHALLOW SUMP, Sill Type, Bronze Dome

APPLICATION

Used in parapets, small balconies, sills, cornices, canopies, gutters and other small overhanging areas where drainage of rainwater is required. Flashing clamp design permits removal of dome strainer without disturbing flashing or waterproofing membranes.

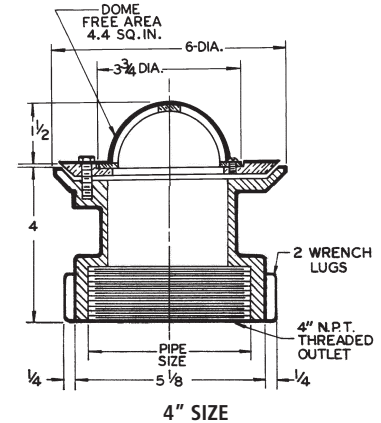
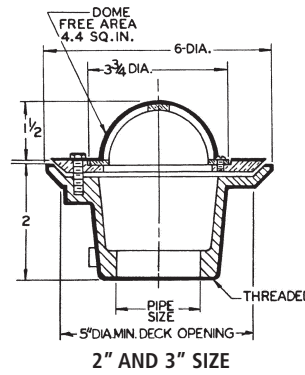
SPECIFICATION

JOSAM 24500 Series coated cast iron Sill Drain, secured low bronze dome, bronze clamp ring and shallow sump with flashing flange and bottom outlet threaded connection.

Available Options

- ▼ -45 Body with 45 Degree Threaded Outlet
 - ▼ -90 Body with 90 Degree Threaded Outlet
 - 20 Galvanized Cast Iron Parts
 - 24 Rough Nikaloy Dome
 - 27 High Dome
 - 33 Stainless Steel Mesh Screen Covered Dome
 - 35 Flat Grate
 - 50 Satin Finish Nikaloy Top
 - 51 Satin Finish Bronze Top
 - VP Vandal-Proof Dome
- OUTLET:**
- T Threaded Outlet

24500-35 SLOT WIDTH 1/8"



FOR OUTLET TYPE SPECIFY -T

TYPE NO.	PIPE SIZE	LBS.
24502	2	4
24503	3	4
24504	4	5

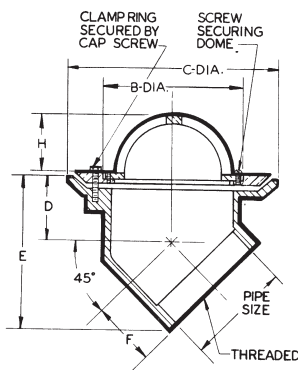
24500-45 SERIES 45° Outlet

APPLICATION

Used in parapets, small balconies, sills, cornices, canopies, gutters and other small overhanging areas where drainage of rainwater through a 45° outlet is required. Flashing clamp design permits removal of dome strainer without disturbing flashing or waterproofing membranes.

SPECIFICATION

JOSAM 24500-45 Series coated cast iron Sill Drain, secured low bronze dome, bronze clamp ring and shallow sump with flashing flange and 45° side outlet threaded connection.



FOR OUTLET TYPE, SPECIFY -T.

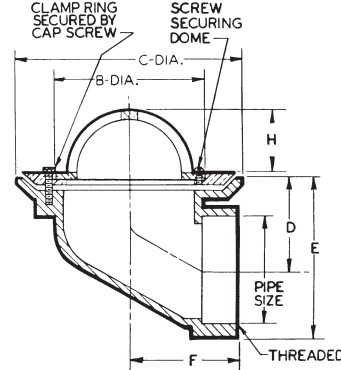
24500-90 SERIES 90° Outlet

APPLICATION

Used in parapets, small balconies, sills, cornices, canopies, gutters and other small overhanging areas where drainage of rainwater through a 90° side outlet is required. Flashing clamp design permits removal of dome strainer without disturbing flashing or waterproofing membranes.

SPECIFICATION

JOSAM 24500-90 Series coated cast iron Sill Drain, secured low bronze dome, bronze clamp ring and shallow sump with flashing flange and 90° side outlet threaded connection.



FOR OUTLET TYPE, SPECIFY -T.

TYPE NO.	PIPE SIZE	DOMES FREE AREA SQ. IN.	B	C	D	E	F	H	LBS.	TYPE NO.	PIPE SIZE	DOMES FREE AREA SQ. IN.	B	C	D	E	F	H	LBS.
24502-45	2	4.4	3-3/4	6	1-1/2	4-1/2	2-3/4	1-1/2	8	24502-90	2	4.4	3-3/4	6	2-1/2	4	2-3/4	1-1/2	8
24503-45	3	7.3	4-3/4	7-1/4	1-1/2	4-3/4	2-3/4	1-7/8	11	24503-90	3	7.3	4-3/4	7-1/4	3	5	3-1/2	1-7/8	11
24504-45	4	7.3	4-3/4	7-1/4	2-3/8	5-5/8	2-1/8	1-7/8	11	24504-90	4	7.3	4-3/4	7-1/4	3-1/2	6	3-1/2	1-7/8	11