

## 25010 SERIES

## DOWNSPOUT NOZZLE

### APPLICATION

Used as a parapet overflow or at the base of a wall where a concealed leader discharges rainwater to the ground. Nozzle design diverts water away from the building, eliminating wall stains. Wall flange covers rough opening and serves as an anchor.

### SPECIFICATION

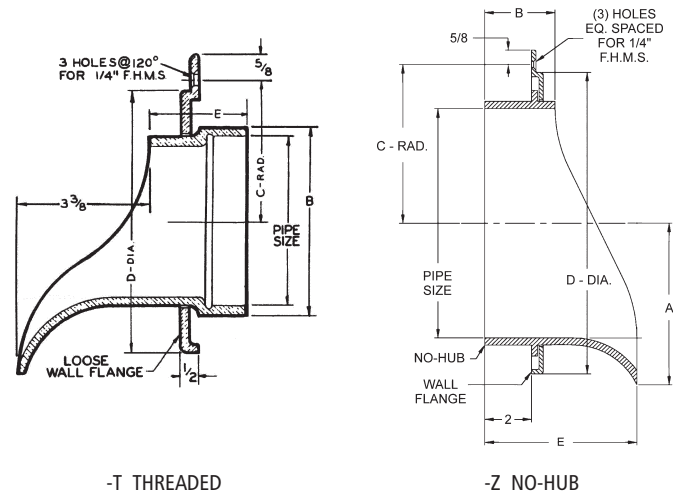
JOSAM 25010 Series cast bronze Downspout Nozzle, loose wall flange and inlet threaded connection.

### Available Options

- 24 Rough Nikaloy
- 51 Satin Finish Bronze
- BS Bird Screen

#### OUTLET:

- T Threaded Outlet
- Z No-Hub Spigot Outlet (Bronze Only)



FOR OUTLET TYPE SPECIFY -T or -Z

TYPE NO.	PIPE SIZE	THREADED					NO-HUB					LBS.
		B	C	D	E	A	B	C	D	E		
25012	*2	4	3-3/8	6	2-5/8	2-3/8	3-5/8	3	5-7/16	5-3/8	6	
25013	3	4	3-3/8	6	2-5/8	3-3/8	3-5/8	3-1/2	6-7/16	5-3/8	6	
25014	4	5	3-7/8	7	2-5/8	3-3/4	3-5/8	4	7-7/16	5-1/2	8	
25015	*5	7-1/2	4-7/8	9	2-5/8	4-1/4	3-5/8	4-1/2	8-7/16	5-3/4	17	
25016	6	7-1/2	4-7/8	9	2-5/8	4-3/4	3-5/8	5	9-7/16	5-3/4	16	
25018	8	9-5/8	5-7/8	11	2-5/8	5-7/8	3-5/8	6	11-7/16	6-1/2	19	
25019	10	11-1/4	6-3/4	12-3/4	2-5/8	6-7/8	3	6-7/8	13-1/16	6-1/2	18	
25010-12	12	-	-	-	-	7-7/8	3	7-7/8	15-1/16	6-1/2	24	

\* For 2" size, 3" is furnished with a 3" x 2" Cast Iron Bushing  
For 5" size, 6" is furnished with a 6" x 5" Cast Iron Bushing

## 25500 SERIES

## LARGE SUMP, FLO-SEPTOR®

### APPLICATION

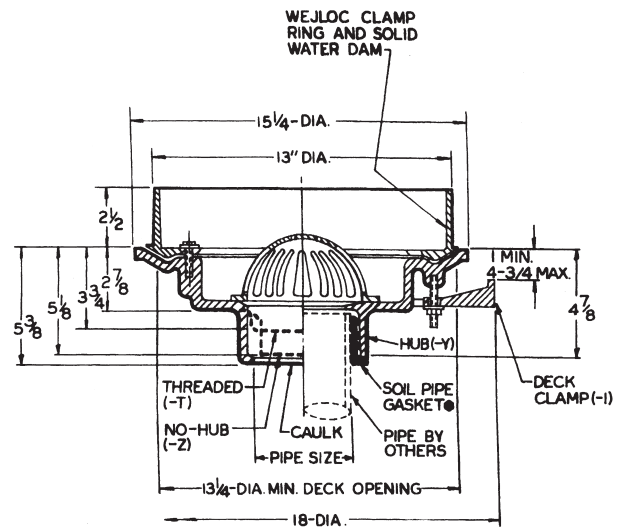
Used on roof areas to receive wastewater from air conditioning units, cooling towers and other mechanical equipment installed on the roof. The solid water dam prevents storm water from entering the waste line. The internal dome strainer provides ample drainage and prevents entry of debris into the large sump.

### SPECIFICATION

JOSAM 25500 Series coated cast iron FLO-SEPTOR® Roof Drain, cast iron internal dome strainer, combined WEJLOC® non-puncturing clamp ring and solid water dam and large sump with wide roof flange and bottom outlet.

### Available Options

- |   |                         |                        |
|---|-------------------------|------------------------|
| -CR Clamping Drain Receiver               | <b>OUTLETS:</b>         | -66 No-Hub Side Outlet |
| -1 Deck Clamp Assembly                    | -T Threaded Outlet      |                        |
| -2 Drain Receiver                         | -X Inside Caulk Outlet  |                        |
| -3 Deck Clamp Assembly and Drain Receiver | -Y Hub Outlet w/Gasket  |                        |
| -20 Galvanized Cast Iron Parts            | -Z No-Hub Spigot Outlet |                        |



● CONFORMS WITH ASTM-C564.

FOR OUTLET TYPE SPECIFY -T, -X, -Y or -Z

TYPE NO.	PIPE SIZE	LBS.
25502	2	49
25503	3	50
25504	4	51
25505	5	52
25506	6	53