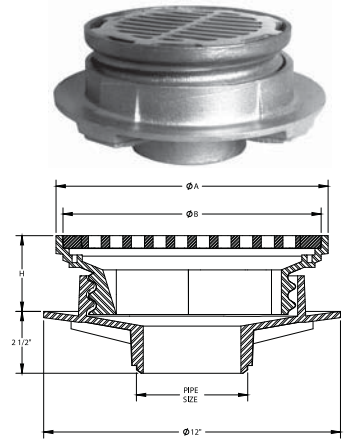


9" & 12" ROUND ADJUSTABLE TOP, SCH 40 BUTT WELD OUTLET

SERIES NUMBER	PIPE SIZE NOM.	A	B	H
32102-AE-SS	2"	9.0"	8.4"	2.4" - 3.5"
32103-AE-SS	3"	9.0"	8.4"	2.4" - 3.5"
32104-AE-SS	4"	9.0"	8.4"	2.4" - 3.5"
32203-AE-SS	3"	11.0"	10.4"	3.0" - 4.1"
32204-AE-SS	4"	11.0"	10.4"	3.0" - 4.1"

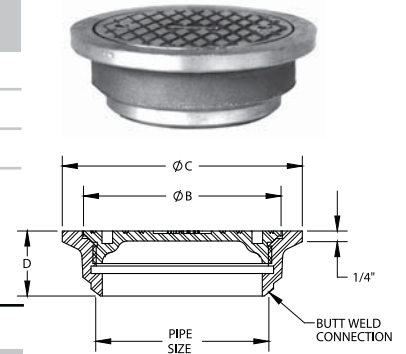


32100-SS/32200-SS AND 32100-AE-SS/32200-AE-SS OPTIONS

SUFFIX	DESCRIPTION
-8	Solid Cover
-9	Stainless Steel Mesh on Underside of Grate
-21	4" Diameter Funnel
-22	6" Diameter Funnel
-25	Stainless Steel Recessed Closure Plug
-26	ABS Recessed Closure Plug
-34	"T" Handle for Recessed Plug
-50	1/2" Primer Tap
-61	Flashing Clamp Device
-69	Schedule 10 Butt Weld Outlet

ROUND SPANNER TYPE CLEANOUT, SCH 40 BUTT WELD OUTLET

SERIES NUMBER	PIPE SIZE NOM.	B	C	D
56672-SS	2"	2.9"	3.8"	1.5"
56673-SS	3"	4.0"	4.9"	1.5"
56674-SS	4"	5.0"	6.0"	1.5"
56676-SS	6"	7.3"	8.4"	1.5"



56670-SS OPTIONS

SUFFIX	DESCRIPTION
-45	Spanner Wrench
-69	Schedule 10 Butt Weld Outlet