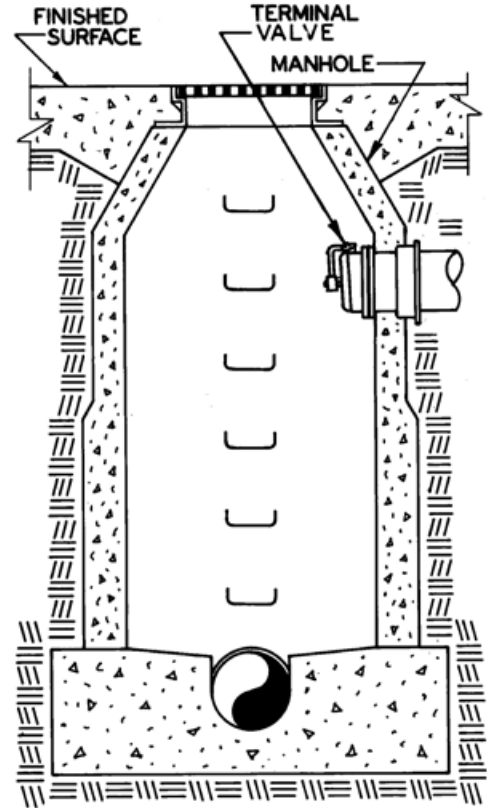


67800 Series swing-check Backwater Valve shown installed in a manhole terminal.

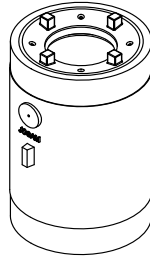
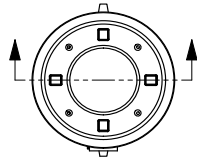


SPECIFICATION:

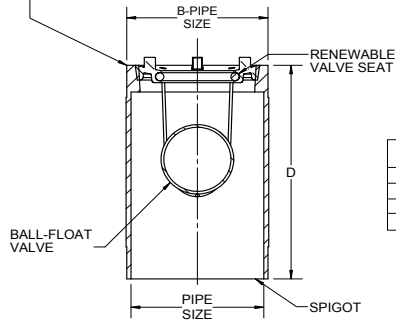
JOSAM 67100A SERIES COATED CAST IRON BACKWATER VALVE, PLASTIC BALL-FLOAT, ELASTOMER SEAT, BRONZE CAGE AND BOTTOM OUTLET SPIGOT CONNECTION.

BACKWATER VALVE BALL-FLOAT ADAPTER

SERIES **67100A**



ATTACH ANY 4" OR 6" NO-HUB
BOTTOM OUTLET
FLOOR DRAIN



PIPE SIZE	B	D
2"	4	6-5/8
3"	4	7-7/8
4"	4	6-1/8
6"	6	10

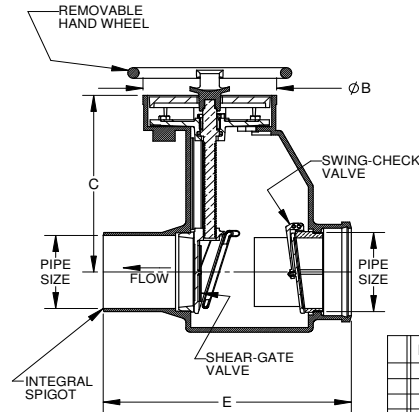
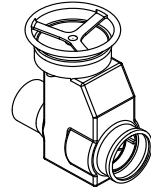
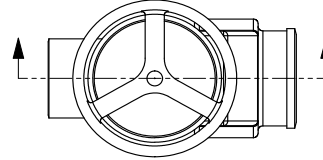
-5	GALVANIZED CAST IRON PARTS
-35	1/2" PRIMER TAP

SPECIFICATION:

JOSAM 67360 SERIES COATED CAST IRON COMBINATION BACKWATER VALVE, STRAIGHT-THROUGH TYPE, BRONZE SWING-CHECK ASSEMBLY, BRONZE MANUALLY OPERATED SHEAR-GATE WITH NON-RISING STEM AND HUB & SPIGOT CONNECTIONS.

BACKWATER VALVE SHEAR-GATE & SWING-CHECK

SERIES **67360**



STRAIGHT-THROUGH
TYPE FOR EXISTING
INSTALLATIONS.

NOTE: SWING-CHECK VALVE
NORMALLY HANGS IN CLOSED
POSITION BUT CAN BE SET TO
HANG OPEN BY SPECIFYING
(-15) OPEN FLAP OPTION.

PIPE SIZE	B	C	E
3"	8	12	17-1/2
4"	8	12	17-1/2
5"	10-1/2	14-1/2	19-1/2
6"	10-1/2	14-1/2	19-1/2

Δ	-DH	DOUBLE HUB
	-15	OPEN FLAP
	-28	12" CAST IRON EXTENSION AND STEM
	-29	24" CAST IRON EXTENSION AND STEM

Δ SEPARATE SUBMITTAL FOR THIS OPTION AVAILABLE

DATE OF LAST CHANGE: 04/18/15

DIMENSIONS ARE SUBJECT TO MANUFACTURERS
TOLERANCES AND CHANGE WITHOUT NOTICE.
WE CAN ASSUME NO RESPONSIBILITY FOR
USE OF SUPERSEDED OR VOID DATA.

JOSAM COMPANY
MICHIGAN CITY, INDIANA

NOTES

DATE OF LAST CHANGE: 4/7/14

DIMENSIONS ARE SUBJECT TO MANUFACTURERS
TOLERANCES AND CHANGE WITHOUT NOTICE.
WE CAN ASSUME NO RESPONSIBILITY FOR
USE OF SUPERSEDED OR VOID DATA.

JOSAM COMPANY
MICHIGAN CITY, INDIANA

NOTES

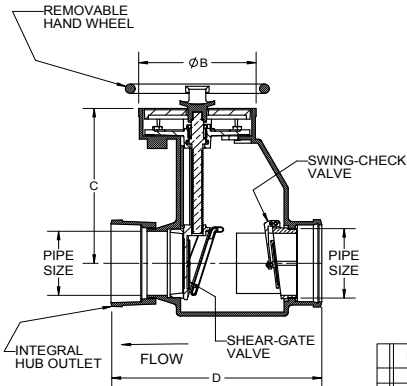
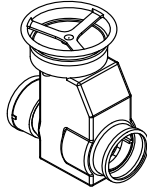
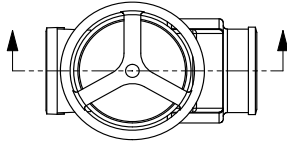
SPECIFICATION:

JOSAM 67360-DH SERIES COATED CAST IRON COMBINATION BACKWATER VALVE, STRAIGHT-THROUGH TYPE, BRONZE SWING-CHECK ASSEMBLY, BRONZE MANUALLY OPERATED SHEAR-GATE WITH NON-RISING STEM AND HUB CONNECTIONS.

BACKWATER VALVE

SHEAR-GATE & SWING-CHECK

SERIES **67360-DH**



STRAIGHT-THROUGH TYPE FOR EXISTING INSTALLATIONS.

NOTE: SWING-CHECK VALVE NORMALLY HANGS IN CLOSED POSITION BUT CAN BE SET TO HANG OPEN BY SPECIFYING (-15) OPEN FLAP OPTION.

PIPE SIZE	B	C	D
3"	8	12	16
4"	8	12	16
5"	10-1/2	14-1/2	16
6"	10-1/2	14-1/2	16

X	-DH	DOUBLE HUB
	-15	OPEN FLAP
	-28	12" CAST IRON EXTENSION AND STEM
	-29	24" CAST IRON EXTENSION AND STEM

DATE OF LAST CHANGE: 04/18/15

DIMENSIONS ARE SUBJECT TO MANUFACTURERS TOLERANCES AND CHANGE WITHOUT NOTICE. WE CAN ASSUME NO RESPONSIBILITY FOR USE OF SUPERSEDED OR VOID DATA.

JOSAM COMPANY
MICHIGAN CITY, INDIANA

NOTES

SPECIFICATION:

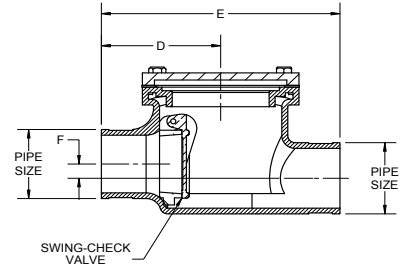
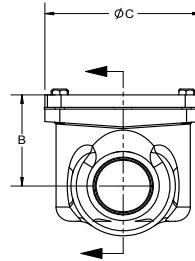
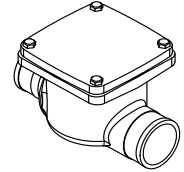
JOSAM 67400 SERIES COATED CAST IRON BACKWATER VALVE, OFFSET TYPE, BRONZE FIXED SWING-CHECK ASSEMBLY, BOLTED GASKETED COVER AND NO-HUB CONNECTIONS.

BACKWATER VALVE

NO-HUB SWING-CHECK

SERIES **67400**

BOLTED COVER, OFFSET TYPE



PIPE SIZE	B	C	D	E	F
2"	3-5/8	5-1/4	4	8	1/2
3"	4	6	5	10	1/2
4"	4-3/4	7	6	12	1/2
6"	5-3/4	9	6	12	5/8

DATE OF LAST CHANGE: 04/18/15

DIMENSIONS ARE SUBJECT TO MANUFACTURERS TOLERANCES AND CHANGE WITHOUT NOTICE. WE CAN ASSUME NO RESPONSIBILITY FOR USE OF SUPERSEDED OR VOID DATA.

JOSAM COMPANY
MICHIGAN CITY, INDIANA

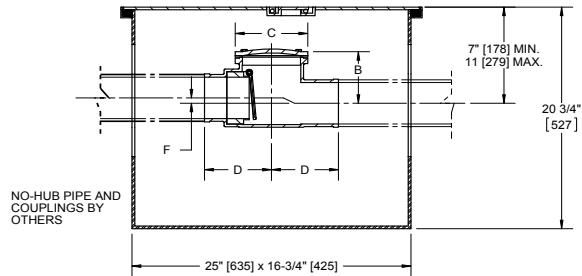
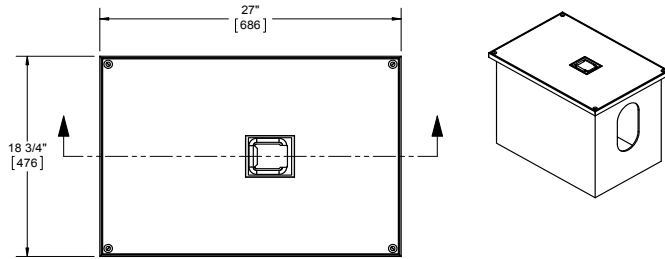
NOTES

SPECIFICATION:

JOSAM SERIES 67400-ET CAST IRON BACKWATER VALVE, BRONZE SWING CHECK ASSEMBLY, BOLTED GASKETED COVER AND NO-HUB PIPE CONNECTIONS WITH ACID-RESISTANT COATED STEEL ENCLOSURE, BOLTED, GASKETED NON-SKID COVER AND LIFT-RING HANDLE.

BACKWATER VALVE WITH ENCLOSURE

SERIES **67400-ET**



NO-HUB PIPE AND COUPLINGS BY OTHERS

PIPE SIZE	B	C	D	F
2"	3-5/8 [92]	5-1/4 [133]	4 [102]	1/2 [13]
3"	4 [102]	6 [152]	5 [127]	1/2 [13]
4"	4-3/4 [121]	7 [178]	6 [152]	1/2 [13]

DATE OF LAST CHANGE: 11/07/14

DIMENSIONS ARE SUBJECT TO MANUFACTURERS TOLERANCES AND CHANGE WITHOUT NOTICE. WE CAN ASSUME NO RESPONSIBILITY FOR USE OF SUPERSEDED OR VOID DATA.

JOSAM COMPANY
MICHIGAN CITY, INDIANA

NOTES

SPECIFICATION:

JOSAM SERIES 67500 COATED CAST IRON BACKWATER VALVE, OFFSET TYPE, BRONZE SWING-CHECK ASSEMBLY, BOLTED GASKETED COVER AND HUB & SPIGOT CONNECTIONS.

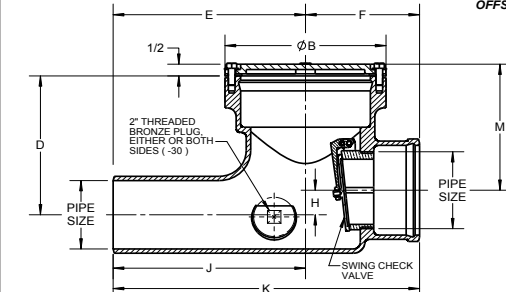
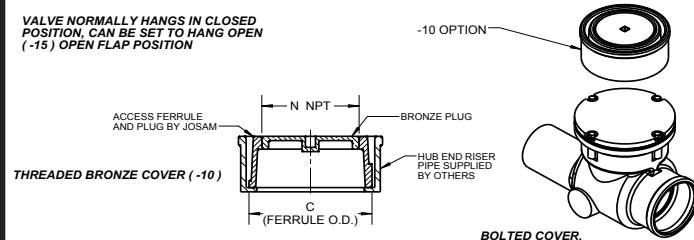
BACKWATER VALVES

HUB & SPIGOT SWING-CHECK

REF. XH PIPE DIMENSIONS

SERIES **67500**

VALVE NORMALLY HANGS IN CLOSED POSITION, CAN BE SET TO HANG OPEN (-15) OPEN FLAP POSITION



PIPE SIZE	DIA. "B"	DIA. "C"	DIM. "D"	DIM. "E"	DIM. "F"	DIM. "H"	DIM. "J"	DIM. "K"	DIM. "M"	"N" NPT
2"	6-7/8	N/A	6-1/4	7	5	1-1/2	6-1/2	12	5-1/4	N/A
3"	7-7/8	5-7/8	7-1/2	10	5-3/4	1-1/4	9	15-3/4	6-3/4	4
4"	9	6-7/8	8-1/8	10-3/4	6-3/8	1-1/2	9	17-1/8	7-1/4	5
6"	11-1/4	9	10	11-3/4	7-3/4	1-3/4	10-3/4	19-1/2	8-3/4	7
8"	13-3/4	11-1/8	11-3/4	12-1/2	7-3/4	2-1/4	11	20-1/4	10	9

* FOR EXTENSION, USE "-10" OPTION WITH HUB & SPIGOT PIPE BY OTHERS

-10"	THREADED BRONZE COVER (3" - 8" SIZES ONLY)	-30	2" AUXILIARY INLET WITH BRONZE PLUG
-15	FLAP IN PARTIALLY OPEN POSITION		

DATE OF LAST CHANGE: 05/04/15

DIMENSIONS ARE SUBJECT TO MANUFACTURERS TOLERANCES AND CHANGE WITHOUT NOTICE. WE CAN ASSUME NO RESPONSIBILITY FOR USE OF SUPERSEDED OR VOID DATA.

JOSAM COMPANY
MICHIGAN CITY, INDIANA

NOTES

SPECIFICATION:

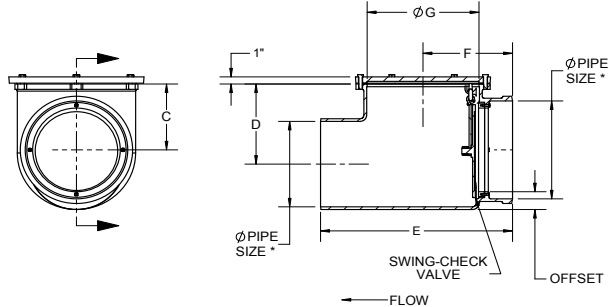
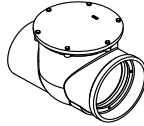
JOSAM 67600 SERIES COATED CAST IRON BACKWATER VALVE, OFFSET TYPE. BRONZE FIXED SWING-CHECK ASSEMBLY. BOLTED GASKETED COVER AND HUB & SPIGOT CONNECTIONS.

BACKWATER VALVE HUB & SPIGOT SWING-CHECK

SERIES **67600**

NOTE: SWING-CHECK VALVE NORMALLY HANGS IN CLOSED POSITION BUT CAN BE SET TO HANG OPEN BY SPECIFYING (-15) OPEN FLAP OPTION.

BOLTED COVER,
OFFSET TYPE



* HUB & SPIGOT DIMENSIONS ARE IN ACCORDANCE WITH E.H.C.I. PIPE STANDARD.

-15	OPEN FLAP
-----	-----------

PIPE SIZE	OFFSET	C	D	E	F	G
10"	2	8-1/2	10-1/2	23	10-1/2	13
12"	2	9-1/4	11-1/4	25-3/4	12	15

DATE OF LAST CHANGE: 04/18/15

DIMENSIONS ARE SUBJECT TO MANUFACTURERS TOLERANCES AND CHANGE WITHOUT NOTICE. WE CAN ASSUME NO RESPONSIBILITY FOR USE OF SUPERSEDED OR VOID DATA.

JOSAM COMPANY
MICHIGAN CITY, INDIANA

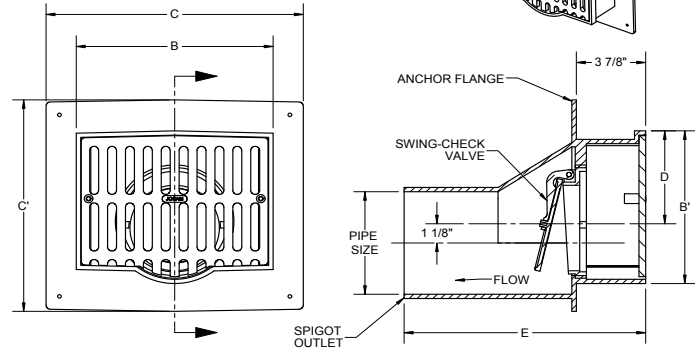
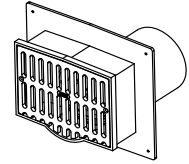
NOTES

SPECIFICATION:

JOSAM 67650 SERIES COATED CAST IRON BACKWATER VALVE, PIT TYPE. BRONZE SWING-CHECK ASSEMBLY, VERTICAL INLET GRATE AND SPIGOT OUTLET CONNECTION.

BACKWATER VALVE COMBINED DRAIN/SWING-CHECK

SERIES **67650**



PIPE SIZE	BXB'	CXC'	D	E	GRATE FREE AREA
3"	9-5/16 X 7-5/8	12-3/4 X 10-7/8	5-1/8	13	19
4"	9-5/16 X 7-5/8	12-3/4 X 10-7/8	5-1/8	13	19
6"	11 X 8-7/8	14-3/4 X 12-3/8	5-1/2	14	22

-1	SATIN FINISH NIKALOY FACE	-25	FLASHING CLAMP DEVICE
-2	SATIN FINISH BRONZE FACE	-VP	SECURED FACE, VANDAL-PROOF SCREWS
-5	GALVANIZED CAST IRON PARTS	-LBV	LESS BACKWATER VALVE

DATE OF LAST CHANGE: 04/18/15

DIMENSIONS ARE SUBJECT TO MANUFACTURERS TOLERANCES AND CHANGE WITHOUT NOTICE. WE CAN ASSUME NO RESPONSIBILITY FOR USE OF SUPERSEDED OR VOID DATA.

JOSAM COMPANY
MICHIGAN CITY, INDIANA

NOTES

SPECIFICATION:

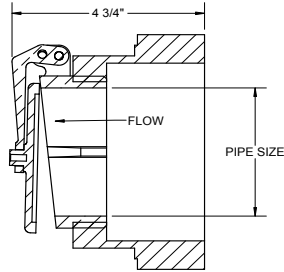
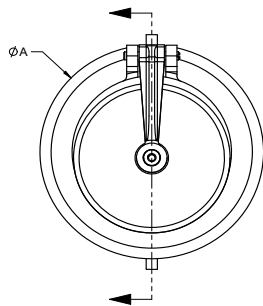
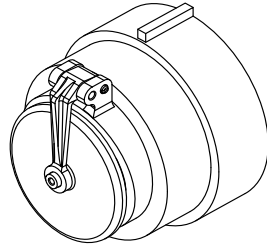
JOSAM 67720 SERIES COATED CAST IRON BACKWATER VALVE, TERMINAL TYPE, BRONZE SWING-CHECK ASSEMBLY AND HUB INLET CONNECTION.

BACKWATER VALVE

SWING-CHECK TERMINAL TYPE

SERIES **67720**

NOTE:
SWING-CHECK VALVE
NORMALLY HANGS IN
CLOSED POSITION BUT
CAN BE SET TO HANG
OPEN BY SPECIFYING
(-15) OPEN FLAP OPTION



-15	OPEN FLAP
-----	-----------

TYPE	PIPE SIZE	"A" DIM
67723	3"	5
67724	4"	6-1/4

DATE OF LAST CHANGE: 04/18/15

DIMENSIONS ARE SUBJECT TO MANUFACTURERS
TOLERANCES AND CHANGE WITHOUT NOTICE.
WE CAN ASSUME NO RESPONSIBILITY FOR
USE OF SUPERSEDED OR VOID DATA.

JOSAM COMPANY
MICHIGAN CITY, INDIANA

NOTES

SPECIFICATION:

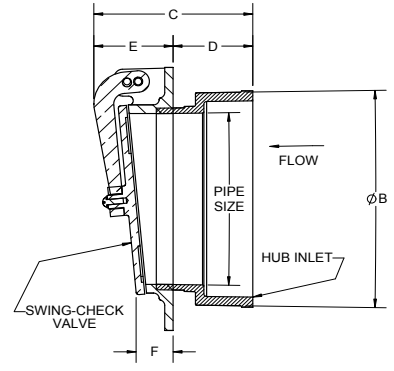
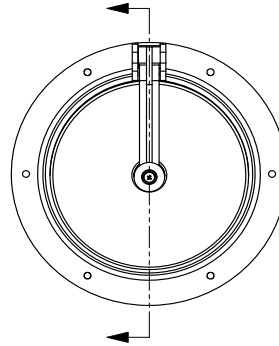
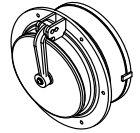
JOSAM 67800 SERIES COATED CAST IRON BACKWATER VALVE, TERMINAL TYPE, BRONZE SWING-CHECK ASSEMBLY AND HUB INLET CONNECTION.

BACKWATER VALVE

SWING-CHECK TERMINAL TYPE

SERIES **67800**

*67808 BACKWATER VALVE
USES A CAST IRON SEAT IN
PLACE OF A BRONZE SEAT.
CAST IRON HUB THREADS INTO
FLANGED CAST IRON SEAT.



NOTE: SWING-CHECK VALVE
NORMALLY HANGS IN CLOSED
POSITION BUT CAN BE SET TO
HANG OPEN BY SPECIFYING
(-15) OPEN FLAP OPTION.

-4	BRONZE SEAT
-15	OPEN FLAP

PIPE SIZE	B	C	D	E	F
6"	7-7/8	5-5/8	3-7/8	1-3/4	3/4
8"	10	7-1/4	3-1/2	3-3/4	1-1/2

DATE OF LAST CHANGE: 04/18/15

DIMENSIONS ARE SUBJECT TO MANUFACTURERS
TOLERANCES AND CHANGE WITHOUT NOTICE.
WE CAN ASSUME NO RESPONSIBILITY FOR
USE OF SUPERSEDED OR VOID DATA.

JOSAM COMPANY
MICHIGAN CITY, INDIANA

NOTES