





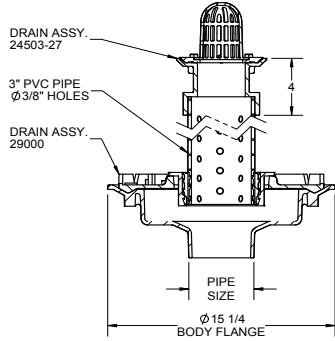
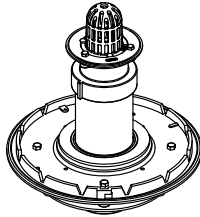
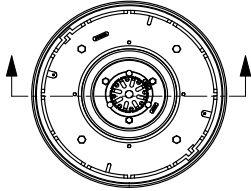


**SPECIFICATION:**

JOSAM SERIES 21500-Q606 COATED CAST IRON LOWER DRAIN AND WEJLOC CLAMP RING. COATED CAST IRON THREADED OUTLET UPPER BODY WITH BRONZE CLAMP RING AND DOME.

**ROOF DRAIN  
PLANTING AREA**

SERIES **21500-Q606**



-1	UNDERDECK CLAMP
-2	DRAIN RECEIVER (24" SQ.)
-VP	VANDALPROOF DOME
-X	CAULK OUTLET
-Y	PUSH-ON OUTLET
-T	THREADED OUTLET
-Z	NO-HUB OUTLET

PIPE SIZE
2"
3"
4"
5"
6"
8"

DATE OF LAST CHANGE: 4/24/15

DIMENSIONS ARE SUBJECT TO MANUFACTURERS TOLERANCES AND CHANGE WITHOUT NOTICE. WE CAN ASSUME NO RESPONSIBILITY FOR USE OF SUPERSEDED OR VOID DATA.

**JOSAM COMPANY**  
MICHIGAN CITY, INDIANA

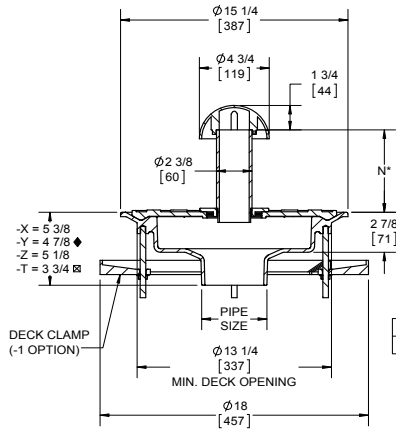
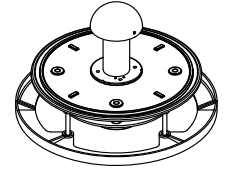
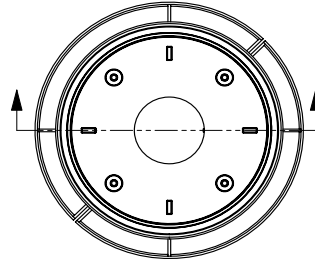
NOTES

**SPECIFICATION:**

JOSAM 21500-Q515 SERIES CAST IRON DRAIN WITH BOTTOM OUTLET, WEJLOC NON-PUNCTURING CLAMP RING, PVC STANDPIPE, AND BRASS DOME.

**DRAIN  
WITH STANDPIPE**

SERIES **21500-Q515**



OUTLET TYPE	
-X	INSIDE CAULK
-Y	HUB WITH GASKET (2"-4")
-Z	NO-HUB
-T	THREADED

PIPE SIZE
2"
3"
4"
5"
6"
8"
10"

-24	LESS DOME
-PF	PERFORATED STANDPIPE

\* SPECIFY "N" AT TIME OF ORDER  
♦ GASKET CONFORMS WITH ASTM-C564  
ⓧ THIS DIM. 5 3/4" FOR 21508-T  
SEE 21500 DRAWING FOR MORE BODY DIMS.

DATE OF LAST CHANGE: 04/27/15

DIMENSIONS ARE SUBJECT TO MANUFACTURERS TOLERANCES AND CHANGE WITHOUT NOTICE. WE CAN ASSUME NO RESPONSIBILITY FOR USE OF SUPERSEDED OR VOID DATA.

**JOSAM COMPANY**  
MICHIGAN CITY, INDIANA

NOTES