

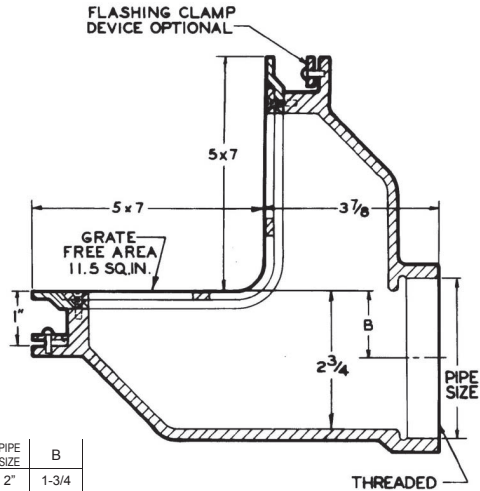
SPECIFICATION:

JOSAM 85220 SERIES COATED CAST IRON 5" x 7" 90° ANGLE SWIMMING POOL AND PIT DRAIN WITH ANCHOR FLANGE, SECURED BAR TYPE ANGLE GRATE WITH FRAME AND SIDE OUTLET THREADED CONNECTION.

MISCELLANEOUS PRODUCTS
5" x 7" 90° ANGLE STRAINER

SERIES

85220



- 3 CHROME PLATED BRONZE FACE
 -VP SECURED FACE, VANDAL-PROOF SCREWS

- 41 CLAMP DEVICE
 -42 GROUND SCREW
 -47 GALVANIZED CAST IRON PARTS

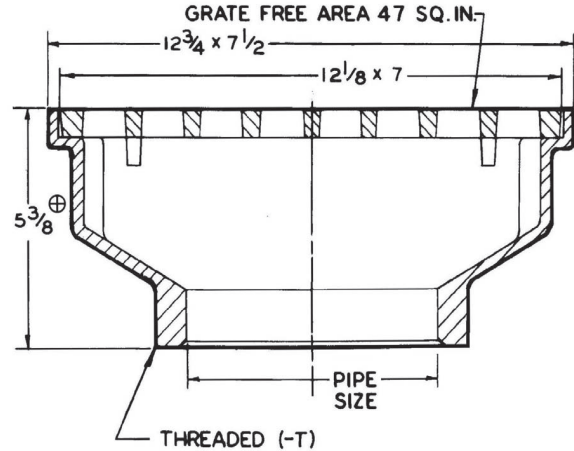
SPECIFICATION:

JOSAM 85800 SERIES COATED CAST IRON 12-3/4" x 7-1/2" DRAIN, LOOSE-SET ANTI-TILTING GRATE AND BOTTOM OUTLET THREADED CONNECTION.

MISCELLANEOUS PRODUCTS
RECTANGULAR PATTERN

SERIES

85800



⊕ ADD 1/4" WHEN FURNISHED W/ NIKALOY OR BRONZE TOP

- 1 SATIN FINISH NIKALOY TOP
 -2 SATIN FINISH BRONZE TOP
 -3 CHROME PLATED BRONZE FACE

- VP SECURED FACE, VANDAL-PROOF SCREWS
 -42 GROUND SCREW
 -47 GALVANIZED CAST IRON PARTS

PIPE SIZE
4"
5"
6"

DRAWING No. 07/01/08

JOSAM COMPANY
MICHIGAN CITY, INDIANA

A-02633-K

NOTES:

DRAWING No. 07/01/08

JOSAM COMPANY
MICHIGAN CITY, INDIANA

A-06949-K

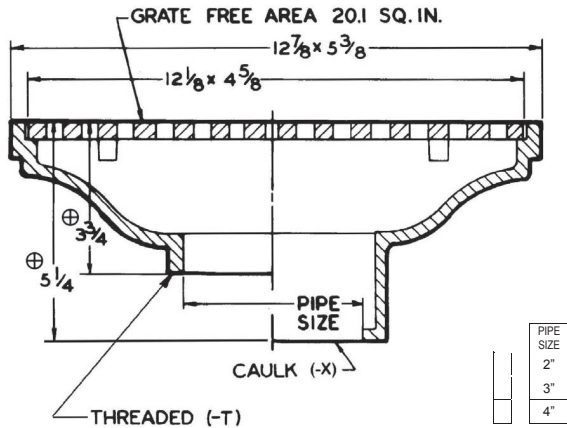
NOTES:

SPECIFICATION:

JOSAM 85810 SERIES COATED CAST IRON 12-7/8" x 5-3/8" DRAIN,
LOOSE-SET ANTI-TILTING GRATE AND BOTTOM OUTLET.

MISCELLANEOUS PRODUCTS
RECTANGULAR PATTERN

SERIES **85810**



⊕ ADD 1/4" WHEN FURNISHED
W/ NIKALOY OR BRONZE TOP

- | | | | |
|--------------------------|---------------------------------------|--------------------------|--------------------------------|
| <input type="checkbox"/> | -1 SATIN FINISH NIKALOY TOP | <input type="checkbox"/> | -42 GROUND SCREW |
| <input type="checkbox"/> | -2 SATIN FINISH BRONZE TOP | <input type="checkbox"/> | -47 GALVANIZED CAST IRON PARTS |
| <input type="checkbox"/> | -3 CHROME PLATED BRONZE FACE | <input type="checkbox"/> | -T THREADED OUTLET |
| <input type="checkbox"/> | -VP SECURED FACE, VANDAL-PROOF SCREWS | <input type="checkbox"/> | -X INSIDE CAULK OUTLET |

DRAWING No. 07/01/08

JOSAM COMPANY
MICHIGAN CITY, INDIANA

NOTES:

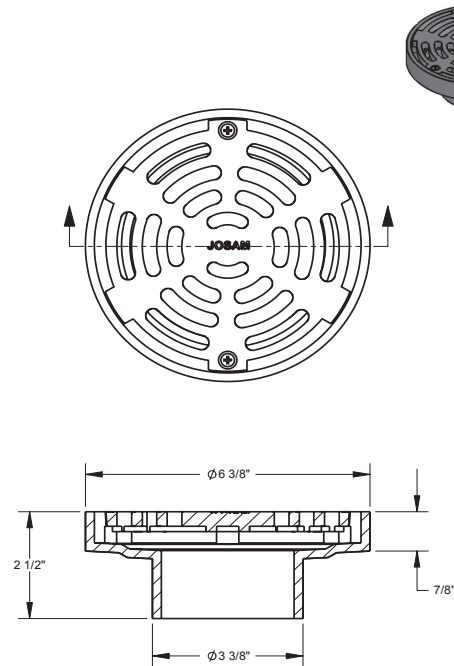
A-01924-K

SPECIFICATION:

JOSAM SERIES 85903 COATED CAST IRON DRAIN WITH
NO-HUB CONNECTION AND MEDIUM DUTY GRATE

DRAIN
MEDIUM-DUTY

SERIES **85903-Z**



DATE OF LAST CHANGE: 03/08/08

DIMENSIONS ARE SUBJECT TO MANUFACTURERS
TOLERANCES AND CHANGE WITHOUT NOTICE.
WE CAN ASSUME NO RESPONSIBILITY FOR
USE OF SUPERSEDED OR VOID DATA.

JOSAM COMPANY
MICHIGAN CITY, INDIANA

NOTES: