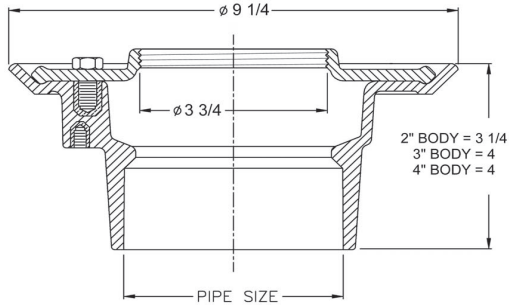


SPECIFICATION:

JOSAM 30000-PVC SERIES PVC FLOOR DRAIN, TWO-PIECE BODY WITH DOUBLE DRAINAGE FLANGE, 1/2" PRIMER TAP WITH PLUG, WEJLOC INVERTIBLE NON-PUNCTURING FLASHING COLLAR WITH WEEPHOLES, SOLVENT WELD BOTTOM OUTLET FOR SCHEDULE 40 PVC PIPE, AND THREADED TO RECEIVE ALL JOSAM ADJUSTABLE STRAINERS.

**FLOOR DRAIN
PVC**

SERIES **30000-PVC**



	2"	PIPE SIZE - 30002-PVC
	3"	PIPE SIZE - 30003-PVC
	4"	PIPE SIZE - 30004-PVC
OPTIONS:	-MD	PVC CLAMP COLLAR WITH 3" SOCKET
	-49	3/4" PRIMER TAP

DATE OF LAST CHANGE: 04/09/08

DIMENSIONS ARE SUBJECT TO MANUFACTURERS TOLERANCES AND CHANGE WITHOUT NOTICE. WE CAN ASSUME NO RESPONSIBILITY FOR USE OF SUPERSEDED OR VOID DATA.

JOSAM COMPANY
MICHIGAN CITY, INDIANA

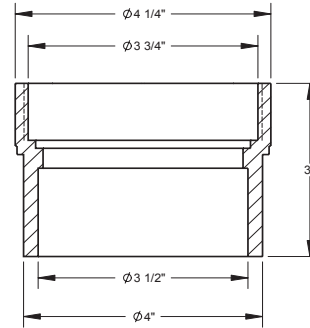
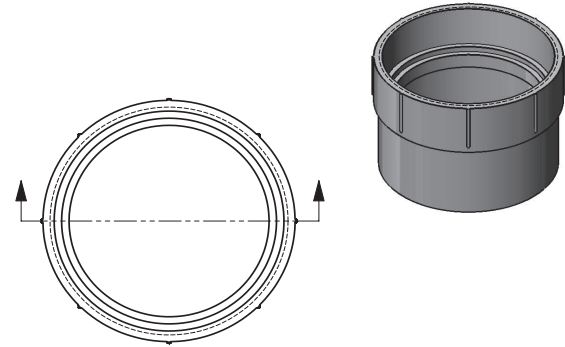
NOTES

SPECIFICATION:

JOSAM 30300-PVC SERIES PVC BODY, THREADED TO RECEIVE ALL JOSAM ADJUSTABLE STRAINERS. COMBINATION 3" X 4" SOLVENT WELD BOTTOM OUTLET FITS OVER 3" OR INSIDE 4" SCHEDULE 40 PVC PIPE

**FLOOR DRAIN
PVC**

SERIES **30300-PVC**



DATE OF LAST CHANGE: 07/09/08

DIMENSIONS ARE SUBJECT TO MANUFACTURERS TOLERANCES AND CHANGE WITHOUT NOTICE. WE CAN ASSUME NO RESPONSIBILITY FOR USE OF SUPERSEDED OR VOID DATA.

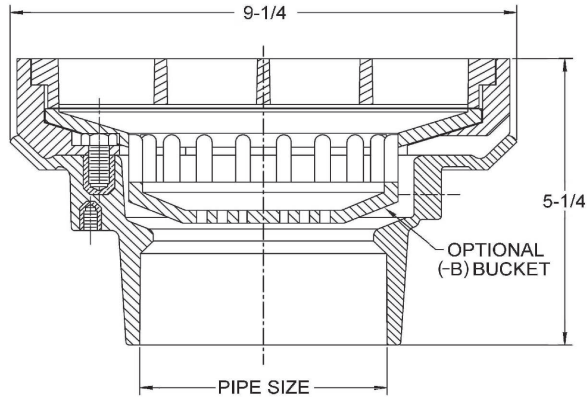
JOSAM COMPANY
MICHIGAN CITY, INDIANA

NOTES

SPECIFICATION:

JOSAM 32100-PVC SERIES PVC FLOOR DRAIN, TWO-PIECE BODY WITH DOUBLE DRAINAGE FLANGE, WEILCO NON-PUNCTURING CLAMP COLLAR WITH WEEPHOLES, 9" ROUND PVC GRATE AND SOLVENT WELD BOTTOM OUTLET FOR SCHEDULE 40 PVC PIPE.

FLOOR DRAIN
 PVC, 9" ROUND

 SERIES **32100-PVC**


OPTIONS:

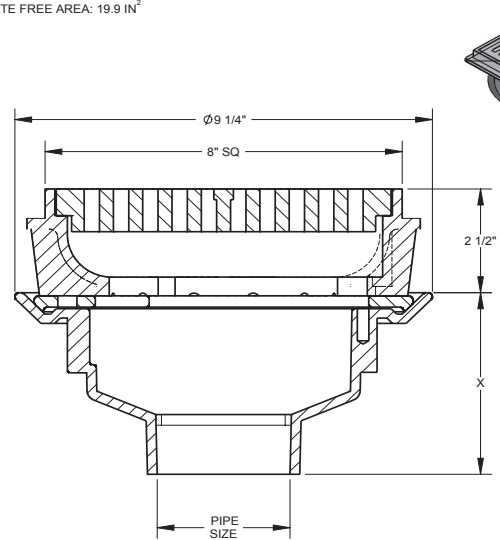
	2"	PIPE SIZE - 32102-PVC
	3"	PIPE SIZE - 32103-PVC
	4"	PIPE SIZE - 32104-PVC
	-HG	HALF GRATE
	-B	BUCKET
	-49	3/4" PRIMER TAP
	-50	1/2" PRIMER TAP

SPECIFICATION:

JOSAM 35100-PVC SERIES PVC FLOOR DRAIN, 2-PIECE BODY WITH DOUBLE-DRAINAGE FLANGE, NON-PUNCTURING CLAMP COLLAR WITH WEEPHOLES, 8" CAST IRON SQUARE TOP WITH HEAVY-DUTY LOOSE-SET CAST IRON GRATE AND SOLVENT WELD BOTTOM OUTLET FOR SCHEDULE 40 PVC PIPE

FLOOR DRAIN
 PVC WITH 8" CI SQ TOP

 SERIES **35100-PVC**

 GRATE FREE AREA: 19.9 IN²


	MODEL	PIPE SIZE	X
	35102-PVC	2"	3 1/4
	35103-PVC	3"	4
	35104-PVC	4"	4

	OPTIONS
	-1 SATIN FINISH NIKALOY TOP
	-2 SATIN FINISH BRONZE TOP
	-15 CHAINED GRATE
	-49 3/4" PRIMER TAP
	-50 1/2" PRIMER TAP

DATE OF LAST CHANGE: 03/12/08

DIMENSIONS ARE SUBJECT TO MANUFACTURERS TOLERANCES AND CHANGE WITHOUT NOTICE. WE CAN ASSUME NO RESPONSIBILITY FOR USE OF SUPERSEDED OR VOID DATA.

JOSAM COMPANY
 MICHIGAN CITY, INDIANA

NOTES

DATE OF LAST CHANGE: 07/02/08

DIMENSIONS ARE SUBJECT TO MANUFACTURERS TOLERANCES AND CHANGE WITHOUT NOTICE. WE CAN ASSUME NO RESPONSIBILITY FOR USE OF SUPERSEDED OR VOID DATA.

JOSAM COMPANY
 MICHIGAN CITY, INDIANA

NOTES

SPECIFICATION:

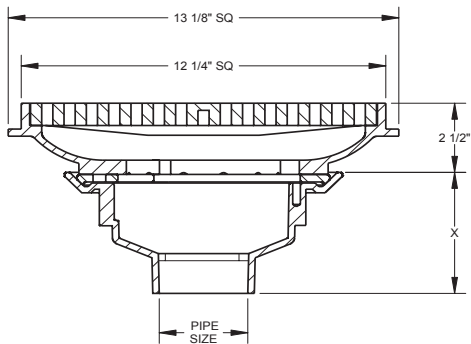
JOSAM 37800-PVC SERIES PVC FLOOR DRAIN, TWO-PIECE BODY WITH FLASHING FLANGE, SHALLOW BODY, NON-PUNCTURING FLASHING COLLAR, WEEPHOLES, 12" CAST IRON SQUARE TOP WITH HEAVY-DUTY LOOSE SET CAST IRON GRATE AND SOLVENT WELD BOTTOM OUTLET FOR SCHEDULE 40 PVC PIPE.

FLOOR DRAIN

PVC WITH 12" SQ CI TOP

SERIES **37800-PVC**

GRATE FREE AREA: 54.6 IN²



MODEL	PIPE SIZE	X
37802-PVC	2"	3 1/4"
37803-PVC	3"	4"
37804-PVC	4"	4"

	OPTIONS
-VP	SECURED GRATE, VANDAL PROOF SCREWS
-14	HINGED TOP
-18	HINGED TOP WITH LATCHING DEVICE
-19	CI UNDERGRATE W/ SATIN FINISH NIKALOY TOP
-20	CI UNDERGRATE W/ SATIN FINISH BRONZE TOP
-49	3/4" PRIMER TAP
-50	1/2" PRIMER TAP

DATE OF LAST CHANGE: 03/10/08

DIMENSIONS ARE SUBJECT TO MANUFACTURERS TOLERANCES AND CHANGE WITHOUT NOTICE. WE CAN ASSUME NO RESPONSIBILITY FOR USE OF SUPERSEDED OR VOID DATA.

JOSAM COMPANY
MICHIGAN CITY, INDIANA

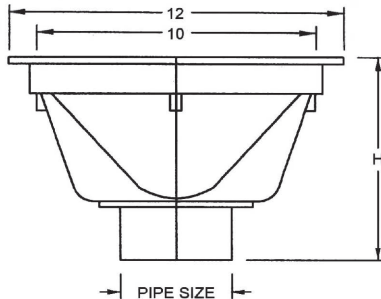
NOTES

SPECIFICATION:

PVC FLOOR DRAIN/SINK, 12 X 12 TOP WITH FULL PVC MEDIUM-DUTY GRATE, ALUMINUM DOME AND SOLVENT WELD BOTTOM OUTLET FOR SCHEDULE 40 PVC PIPE.

**FLOOR DRAIN/SINK
PVC**

SERIES **49320-PVC**



MODEL NO.	PIPE SIZE	H
49322-PVC	2"	6-7/8"
49323-PVC	3"	7-5/8"
49324-PVC	4"	7-7/8"

	OPTIONS
-LG	LESS GRATE
-HG	HALF GRATE - PVC
-3Q	3/4 GRATE - PVC
-NB	NICKEL BRONZE TRAFFIC TOP
-3	1/2 GRATE - NICKEL BRONZE
-4	3/4 GRATE - NICKEL BRONZE
-5	NIKALOY EXTRA HEAVY DUTY GRATE/RIM
-7	FULL GRATE W/ 2-1/2" CENTER OPENING
-VP (NB)	SECURED GRATE - VANDAL RESISTANT SCREWS
-16	GRATE WITH 4" ROUND FUNNEL - NB ONLY
-17	GRATE WITH 6" ROUND FUNNEL - NB ONLY
-18	GRATE WITH 9"X3-1/2" OVAL FUNNEL - NB ONLY
-24	CHAINED GRATE - NB ONLY
-50	1/2" PRIMER TAP

DATE OF LAST CHANGE: 03/12/08

DIMENSIONS ARE SUBJECT TO MANUFACTURERS TOLERANCES AND CHANGE WITHOUT NOTICE. WE CAN ASSUME NO RESPONSIBILITY FOR USE OF SUPERSEDED OR VOID DATA.

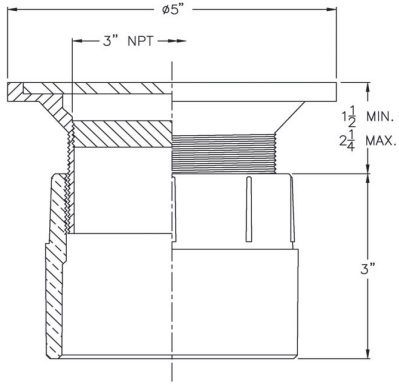
JOSAM COMPANY
MICHIGAN CITY, INDIANA

NOTES

SPECIFICATION:

JOSAM 58360-PVC SERIES PVC CLEANOUT, ROUND NIKALOY
 ADJUSTABLE TOP WITH INTERNAL BRONZE PLUG, COMBINATION 3"
 X 4" SOLVENT WELD BOTTOM OUTLET FITS OVER 3" OR INSIDE 4"
 SCHEDULE 40 PVC PIPE.

CLEANOUT
 PVC

 SERIES **58360-PVC**
**OPTIONS:**

-2	SATIN FINISH BRONZE TOP
-14	CARPET CLEANOUT MARKER
-VP	SECURED COVER, VANDAL-PROOF SCREWS

DATE OF LAST CHANGE: 07/01/08

 DIMENSIONS ARE SUBJECT TO MANUFACTURERS
 TOLERANCES AND CHANGE WITHOUT NOTICE.
 WE CAN ASSUME NO RESPONSIBILITY FOR
 USE OF SUPERSEDED OR VOID DATA.

JOSAM COMPANY
 MICHIGAN CITY, INDIANA

NOTES