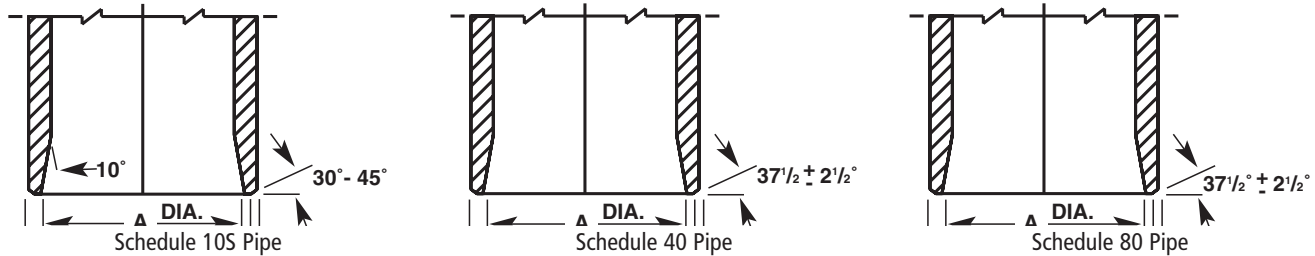


Cast Stainless Steel Butt-Weld Outlet Connection Data

Josam cast stainless steel drains and cleanouts are regularly furnished with Schedule 40S butt-weld outlet connections. Butt-weld outlet connections can also be furnished in Schedule 10S and 80S as specified.



PIPE SCHEDULE	PIPE SIZE 2"	PIPE SIZE 2"	PIPE SIZE 3"	PIPE SIZE 3"	PIPE SIZE 4"	PIPE SIZE 4"	PIPE SIZE 6"	PIPE SIZE 6"	PIPE SIZE 8"	PIPE SIZE 8"
Dimension	A	B	A	B	A	B	A	B	A	B
10S	2.157	2.375	3.260	3.500	4.260	4.500	6.357	6.625	8.329	8.625
40S	2.067	2.375	3.068	3.500	4.026	4.500	6.065	6.625	7.981	8.625
80S	1.939	2.375	2.900	3.500	3.826	4.500	5.761	6.625	7.625	8.625

SPECIFICATION:

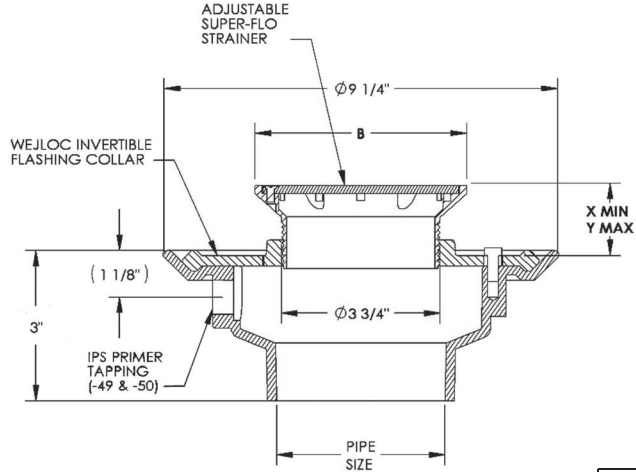
JOSAM 30000-A-SS-T SERIES TYPE 316 CAST STAINLESS STEEL FLOOR DRAIN, TWO-PIECE BODY WITH DOUBLE DRAINAGE FLANGE, WEJLOC® INVERTIBLE FLASHING COLLAR, WEEPHOLES, BOTTOM THREADED OUTLET CONNECTION AND ADJUSTABLE ROUND SUPER-FLO® STRAINER.

STAINLESS STEEL ADJUSTABLE FLOOR DRAIN

SERIES **30000-A-SS-T**

FORMERLY 54200 SERIES

SLOT WIDTH 1/4"



PIPE SIZE
2"
3"
4"

<input type="checkbox"/>	-VP	SECURED GRATE, VANDAL-PROOF SCREWS
<input type="checkbox"/>	-49	3/4" PRIMER TAP
<input type="checkbox"/>	-50	1/2" PRIMER TAP
<input type="checkbox"/>	-80	PERFORATED STAINLESS STEEL BASKET

STRAINER	B	X	Y	FREE AREA
-5A-SS	5	3/4	2-1/8	7.8
-6A-SS	6	1-1/4	2-3/8	11.0
-7A-SS	7	1-1/8	2-7/8	13.2
-8A-SS	8	1-5/8	2-5/8	16.2

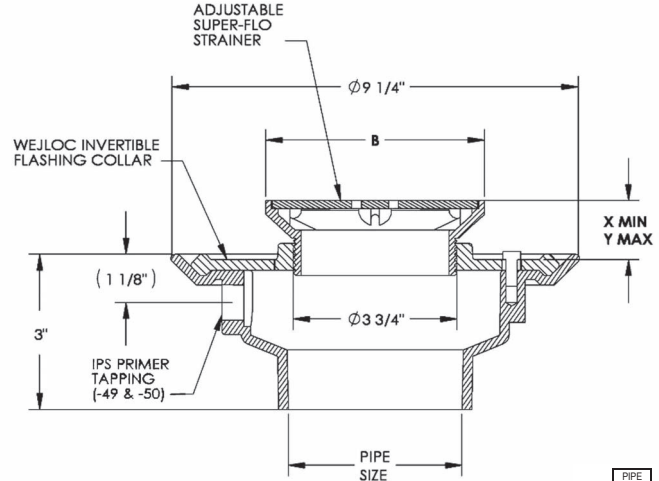
SPECIFICATION:

JOSAM 30000-S-SS-T SERIES TYPE 316 CAST STAINLESS STEEL FLOOR DRAIN, TWO-PIECE BODY WITH DOUBLE DRAINAGE FLANGE, WEJLOC® INVERTIBLE FLASHING COLLAR, WEEPHOLES, BOTTOM THREADED OUTLET CONNECTION AND ADJUSTABLE SQUARE SUPER-FLO® STRAINER.

STAINLESS STEEL ADJUSTABLE FLOOR DRAIN

SERIES **30000-S-SS-T**

SLOT WIDTH 1/4"



PIPE SIZE
2"
3"
4"

<input type="checkbox"/>	-VP	SECURED GRATE, VANDAL-PROOF SCREWS
<input type="checkbox"/>	-49	3/4" PRIMER TAP
<input type="checkbox"/>	-50	1/2" PRIMER TAP
<input type="checkbox"/>	-80	PERFORATED STAINLESS STEEL BASKET

STRAINER	B	X	Y	FREE AREA
-5S-SS	5	7/8	1-7/8	9.1
-6S-SS	6	7/8	2-1/4	13.8
-8S-SS	8	1-1/4	2-1/2	24.5

DRAWING No. 06/27/08

A-14694SS-K

JOSAM COMPANY
MICHIGAN CITY, INDIANA

NOTES:

DRAWING No. 06/27/08

A-11257SS-K

JOSAM COMPANY
MICHIGAN CITY, INDIANA

NOTES:

SPECIFICATION:

JOSAM 32100-SS-AE SERIES TYPE 316 CAST STAINLESS STEEL LEVELEZE® FLOOR DRAIN, DOUBLE DRAINAGE FLANGE, WEEPHOLES, ROUND TOP, ADJUSTABLE COLLAR WITH ROLLED THREAD AND LOOSE-SET ANTI-TILTING SUPER-FLO® GRATE WITH PERIMETER DRAINAGE SLOTS, BOTTOM OUTLET, BUTT WELD CONNECTION FOR SCHEDULE 40 PIPE.

SERIES

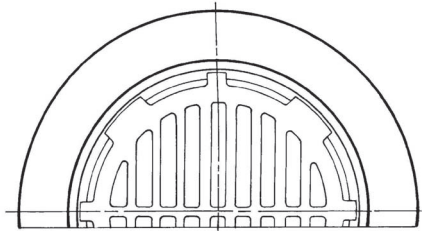
FLOOR DRAIN

9" ROUND TOP, STAINLESS STEEL

32100-SS-AE

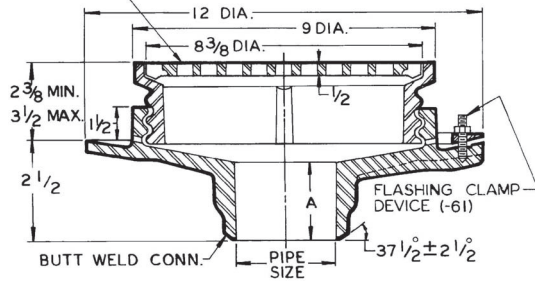
FORMERLY 54210 SERIES

SLOT WIDTH 15/32"



PIPE SIZE	A
2"	1-7/8"
3"	2"
4"	2-1/8"

GRATE FREE AREA 26.5 SQ. IN.



▲	-AE LEVELEZE® ADJUSTABLE EXTENSION	□	-23 9" x 3" OVAL FUNNEL
□	-81 SHALLOW STAINLESS STEEL SEDIMENT BUCKET	□	-25 STAINLESS STEEL RECESSED CLOSURE PLUG
□	-1 SATIN FINISH NIKLOY TOP	□	-26 MOLDED ABS RECESSED CLOSURE PLUG
□	-8 SOLID COVER	□	-34 "T" HANDLE FOR RECESSED PLUG
□	-9 STAINLESS STEEL MESH ON UNDERSIDE OF GRATE	□	-61 FLASHING CLAMP DEVICE
□	-21 4" ROUND FUNNEL	□	-69 SCHEDULE 10 S BUTT WELD CONNECTION
□	-22 6" ROUND FUNNEL		

▼ SEPARATE SUBMITTAL FOR THIS OPTION AVAILABLE

DRAWING No. 06/27/08

JOSAM COMPANY
MICHIGAN CITY, INDIANA

NOTES:

A-13022-K

SPECIFICATION:

JOSAM 32100-SS-AE-81 SERIES TYPE 316 CAST STAINLESS STEEL LEVELEZE® FLOOR DRAIN, DOUBLE DRAINAGE FLANGE, WEEPHOLES, ADJUSTABLE COLLAR WITH ROLLED THREADS, ROUND TOP, LOOSE-SET ANTI-TILTING SUPER-FLO® GRATE WITH PERIMETER DRAINAGE SLOTS, SHALLOW SEDIMENT BUCKET, BOTTOM OUTLET, BUTT WELD CONNECTION FOR SCHEDULE 40 PIPE.

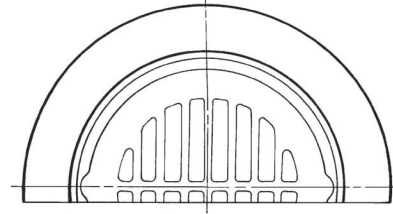
SERIES

FLOOR DRAIN

9" ROUND TOP, STAINLESS STEEL
W/ ADJ. EXTENSION AND BUCKET

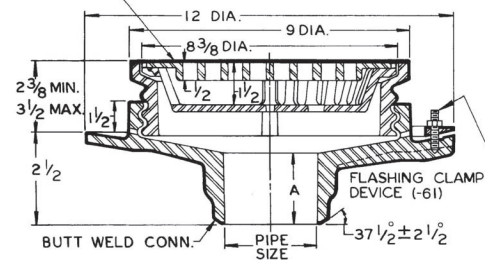
32100-SS-AE-81

FORMERLY 54220 SERIES



PIPE SIZE	A
2"	1-7/8"
3"	2"
4"	2-1/8"

GRATE FREE AREA 21.8 SQ. IN.



▲	-AE LEVELEZE® ADJUSTABLE EXTENSION	□	-23 9" x 3" OVAL FUNNEL
□	-81 SHALLOW STAINLESS STEEL SEDIMENT BUCKET	□	-25 STAINLESS STEEL RECESSED CLOSURE PLUG
□	-1 SATIN FINISH NIKLOY TOP	□	-26 MOLDED ABS RECESSED CLOSURE PLUG
□	-8 SOLID COVER	□	-34 "T" HANDLE FOR RECESSED PLUG
□	-9 STAINLESS STEEL MESH ON UNDERSIDE OF GRATE	□	-61 FLASHING CLAMP DEVICE
□	-21 4" ROUND FUNNEL	□	-69 SCHEDULE 10 S BUTT WELD CONNECTION
□	-22 6" ROUND FUNNEL		

DRAWING No. 06/26/08

JOSAM COMPANY
MICHIGAN CITY, INDIANA

NOTES:

A-13046-K

SPECIFICATION:

JOSAM 32200-SS SERIES TYPE 316 CAST STAINLESS STEEL FLOOR DRAIN, DOUBLE DRAINAGE FLANGE, WEEPHOLES, ROUND TOP, LOOSE-SET ANTI-TILTING GRATE, BOTTOM OUTLET, BUTT WELD CONNECTION FOR SCHEDULE 40 PIPE.

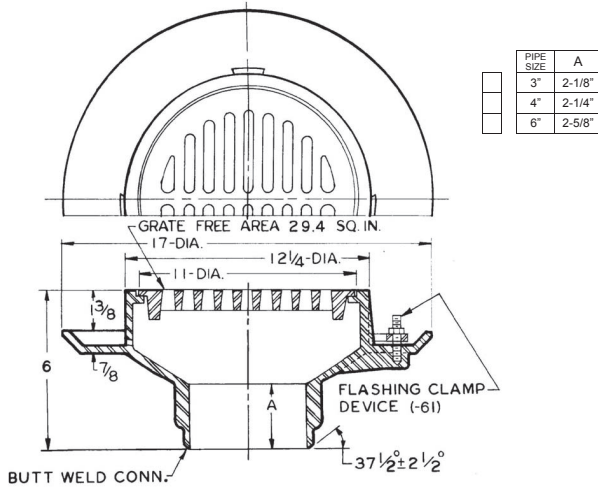
SERIES

FLOOR DRAIN
12" ROUND TOP, STAINLESS STEEL

32200-SS

FORMERLY 54250 SERIES

SLOT WIDTH 1/2"



PIPE SIZE	A
3"	2-1/8"
4"	2-1/4"
6"	2-5/8"

	-8 SOLID COVER		-26 MOLDED ABS RECESSED CLOSURE PLUG
	-9 STAINLESS STEEL MESH ON UNDERSIDE OF GRATE		-34 "T" HANDLE FOR RECESSED PLUG
	-22 6" ROUND FUNNEL		-61 FLASHING CLAMP DEVICE
	-25 STAINLESS STEEL RECESSED CLOSURE PLUG		-69 SCHEDULE 10 S BUTT WELD CONNECTION

DRAWING No. 07/01/08

JOSAM COMPANY
MICHIGAN CITY, INDIANA

NOTES:

A-13131-K

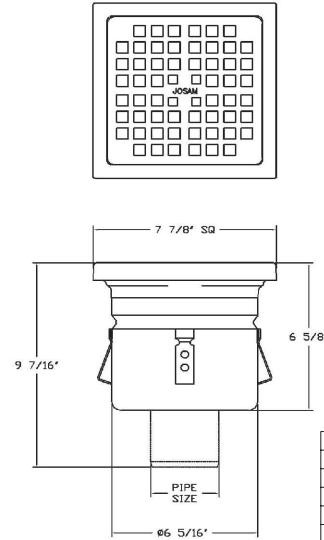
SPECIFICATION:

JOSAM SERIES 40300 SQUARE STAINLESS STEEL 6" DEEP FLOOR DRAIN/SINK, BOTTOM OUTLET, INTERNAL DOME STRAINER AND STAINLESS STEEL PERFORATED ANTI-TILTING GRATE.

SERIES

FLOOR DRAIN/SINK
STAINLESS STEEL
8 X 8 X 6

40300



	3"	PIPE SIZE
	4"	PIPE SIZE
	-2"	NO-HUB
	-B	STAINLESS STEEL BUCKET
	-CG	CAST STAINLESS STEEL GRATE
	-MD	MEDIUM DUTY MESH GRATE
	-PF	HEAVY DUTY PERIMETER SLOT GRATE
	-SO	SIDE OUTLET
	-XHD	EXTRA HEAVY DUTY BAR GRATE
	-HG	HALF GRATE - PERFORATED SS
	-3Q	3/4 GRATE - PERFORATED SS
	-WT	WITH TRAP

* NO-HUB WITH TRANSITIONAL COUPLING

DATE OF LAST CHANGE: 06/27/08

DIMENSIONS ARE SUBJECT TO MANUFACTURERS TOLERANCES AND CHANGE WITHOUT NOTICE. WE CAN ASSUME NO RESPONSIBILITY FOR USE OF SUPERSEDED OR VOID DATA.

JOSAM COMPANY
MICHIGAN CITY, INDIANA

NOTES

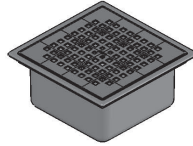
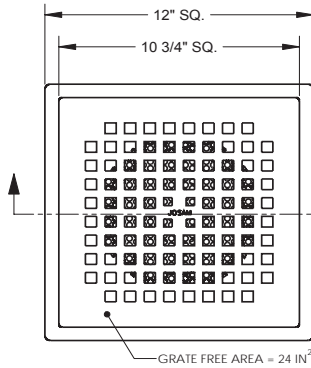
SPECIFICATION:

JOSAM 40320 Series square stainless steel 6" deep Floor Sink/Drain, bottom outlet, internal dome strainer and stainless steel perforated anti-tilting grate.

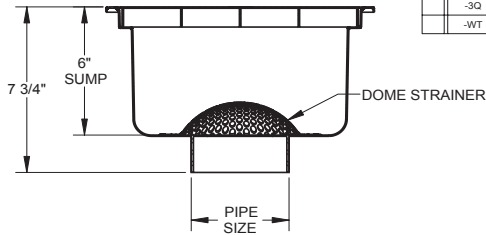
FLOOR DRAIN/SINK

STAINLESS STEEL
12 X 12 X 6

SERIES **40320**



2"	PIPE SIZE
3"	PIPE SIZE
4"	PIPE SIZE
-Y	HUB OUTLET WITH GASKET
-Z	NO-HUB
-B	STAINLESS STEEL BUCKET
-CG	CAST STAINLESS STEEL GRATE
-MD	MEDIUM DUTY MESH GRATE
-PF	HEAVY DUTY PERIMETER SLOT GRATE
-XHD	EXTRA HEAVY DUTY BAR GRATE
-HG	HALF GRATE - PERFORATED SS
-3Q	3/4 GRATE - PERFORATED SS
-WT	WITH TRAP



DATE OF LAST CHANGE: 06/27/08

DIMENSIONS ARE SUBJECT TO MANUFACTURERS TOLERANCES AND CHANGE WITHOUT NOTICE. WE CAN ASSUME NO RESPONSIBILITY FOR USE OF SUPERSEDED OR VOID DATA.

JOSAM COMPANY
MICHIGAN CITY, INDIANA

NOTES

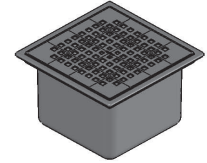
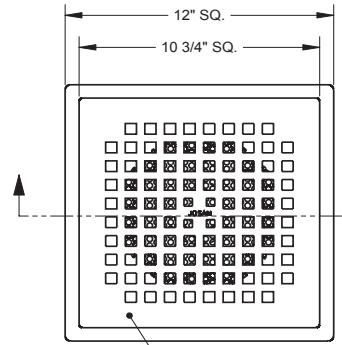
SPECIFICATION:

Josam 40340 Series square stainless steel 8" deep Floor Sink/Drain, bottom outlet, internal dome strainer and stainless steel perforated anti-tilting grate.

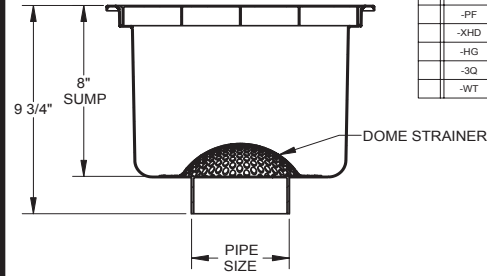
FLOOR DRAIN/SINK

STAINLESS STEEL
12 X 12 X 8

SERIES **40340**



2"	PIPE SIZE
3"	PIPE SIZE
4"	PIPE SIZE
-Y	HUB OUTLET WITH GASKET
-Z	NO-HUB
-B	STAINLESS STEEL BUCKET
-CG	CAST STAINLESS STEEL GRATE
-MD	MEDIUM DUTY MESH GRATE
-PF	HEAVY DUTY PERIMETER SLOT GRATE
-XHD	EXTRA HEAVY DUTY BAR GRATE
-HG	HALF GRATE - PERFORATED SS
-3Q	3/4 GRATE - PERFORATED SS
-WT	WITH TRAP



DATE OF LAST CHANGE: 06/27/08

DIMENSIONS ARE SUBJECT TO MANUFACTURERS TOLERANCES AND CHANGE WITHOUT NOTICE. WE CAN ASSUME NO RESPONSIBILITY FOR USE OF SUPERSEDED OR VOID DATA.

JOSAM COMPANY
MICHIGAN CITY, INDIANA

NOTES

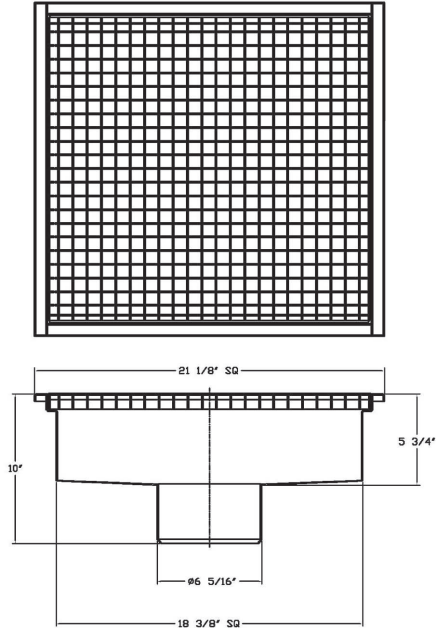
SPECIFICATION:

JOSAM 40460 SERIES STAINLESS STEEL 6" DEEP KETTLE DRAIN, BOTTOM OUTLET, INTERNAL DOME STRAINER AND STAINLESS STEEL MESH ANTI-TILTING GRATE.

FLOOR DRAIN/SINK

STAINLESS STEEL
20 X 20 X 6

SERIES **40460**



-Z*	NO-HUB OUTLET
-B	STAINLESS STEEL BUCKET
-WT	WITH TRAP

* PROVIDED WITH 6" X 4" TRANSITIONAL COUPLING

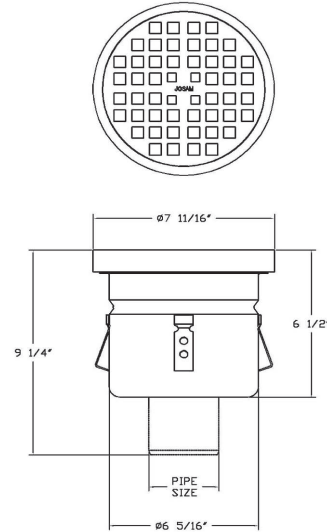
SPECIFICATION:

JOSAM 40520 SERIES ROUND STAINLESS STEEL 6" DEEP FLOOR SINK/DRAIN, BOTTOM OUTLET, INTERNAL DOME STRAINER AND STAINLESS STEEL PERFORATED ANTI-TILTING GRATE.

FLOOR DRAIN/SINK

STAINLESS STEEL
8" ROUND, 6" DEEP

SERIES **40520**



3"	PIPE SIZE
4"	PIPE SIZE
-Z*	NO-HUB
-SO	SIDE OUTLET, 4"
-B	STAINLESS STEEL BUCKET
-CG	CAST STAINLESS STEEL GRATE
-MD	MEDIUM DUTY MESH GRATE
-PF	HEAVY DUTY PERIMETER SLOT GRATE
-XHD	EXTRA HEAVY DUTY BAR GRATE
-HG	HALF GRATE - PERFORATED SS
-3Q	3/4 GRATE - PERFORATED SS
-WT	WITH TRAP

* PROVIDED WITH TRANSITIONAL COUPLING

DATE OF LAST CHANGE: 06/26/08

DIMENSIONS ARE SUBJECT TO MANUFACTURERS TOLERANCES AND CHANGE WITHOUT NOTICE. WE CAN ASSUME NO RESPONSIBILITY FOR USE OF SUPERSEDED OR VOID DATA.

JOSAM COMPANY
MICHIGAN CITY, INDIANA

NOTES

DATE OF LAST CHANGE: 06/26/08

DIMENSIONS ARE SUBJECT TO MANUFACTURERS TOLERANCES AND CHANGE WITHOUT NOTICE. WE CAN ASSUME NO RESPONSIBILITY FOR USE OF SUPERSEDED OR VOID DATA.

JOSAM COMPANY
MICHIGAN CITY, INDIANA

NOTES

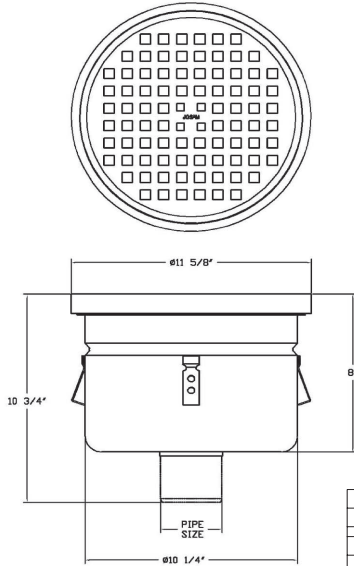
SPECIFICATION:

JOSAM 40580 SERIES ROUND STAINLESS STEEL 8" DEEP FLOOR DRAIN/SINK, BOTTOM OUTLET, INTERNAL DOME STRAINER AND STAINLESS STEEL PERFORATED ANTI-TILTING GRATE.

FLOOR DRAIN/SINK

STAINLESS STEEL
12" ROUND, 8" DEEP

SERIES **40580**



3"	PIPE SIZE
4"	PIPE SIZE
-Z*	NO-HUB
-SO	SIDE OUTLET, 4"
-B	STAINLESS STEEL BUCKET
-CG	CAST STAINLESS STEEL GRATE
-MD	MEDIUM DUTY MESH GRATE
-PF	HEAVY DUTY PERIMETER SLOT GRATE
-XHD	EXTRA HEAVY DUTY BAR GRATE
-HG	HALF GRATE - PERFORATED SS
-3Q	3/4 GRATE - PERFORATED SS
-WT	WITH TRAP

* PROVIDED WITH TRANSITIONAL COUPLING

DATE OF LAST CHANGE: 06/26/08

DIMENSIONS ARE SUBJECT TO MANUFACTURERS TOLERANCES AND CHANGE WITHOUT NOTICE. WE CAN ASSUME NO RESPONSIBILITY FOR USE OF SUPERSEDED OR VOID DATA.

JOSAM COMPANY
MICHIGAN CITY, INDIANA

NOTES

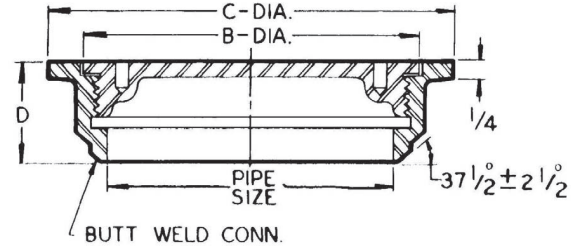
SPECIFICATION:

JOSAM 56670-SS SERIES TYPE 316 CAST STAINLESS STEEL ROUND FLUSH CLEANOUT WITH FLANGED RING AND SCORRIATED SPANNER TYPE FLANGED SCREW PLUG AND BOTTOM OUTLET WITH BUTT WELD CONNECTION FOR SCHEDULE 40 PIPE.

STAINLESS STEEL
SPANNER TYPE FLOOR CLEANOUT

SERIES **56670-SS**

FORMERLY 54400 SERIES



PIPE SIZE	B	C	D
2"	2-7/8	3-3/4	1-1/2
3"	4	4-7/8	1-1/2
4"	5	6	1-5/8
6"	7-1/4	8-3/8	1-5/8



-45 SPANNER WRENCH

-69 SCHED. 10 S BUTT WELD CONNECTION

DRAWING No. 06/26/08

A-13045-K

JOSAM COMPANY
MICHIGAN CITY, INDIANA

NOTES: