

CLEANOUT FEATURES

KLEENATRON® II Features

JOSAM KLEENATRON® II Cleanouts incorporate features developed to meet the latest in building construction methods. These features ensure the specifier, installer and user of completely trouble-free installation and performance.

WIDE CHOICE OF COVERS

Tops and covers for every area. Round-square, tile-terrazzo, medium-special-duty. Standard cast iron secured cover has special-duty rating.*

ADJUSTABLE BUSHING

Precision machine threaded cast iron bushing provides LEVELEZE® adjustment; non-tilting top. Body protects threads from concrete, allowing adjustment after pour.

EASY IN – EASY OUT CLOSURE PLUG

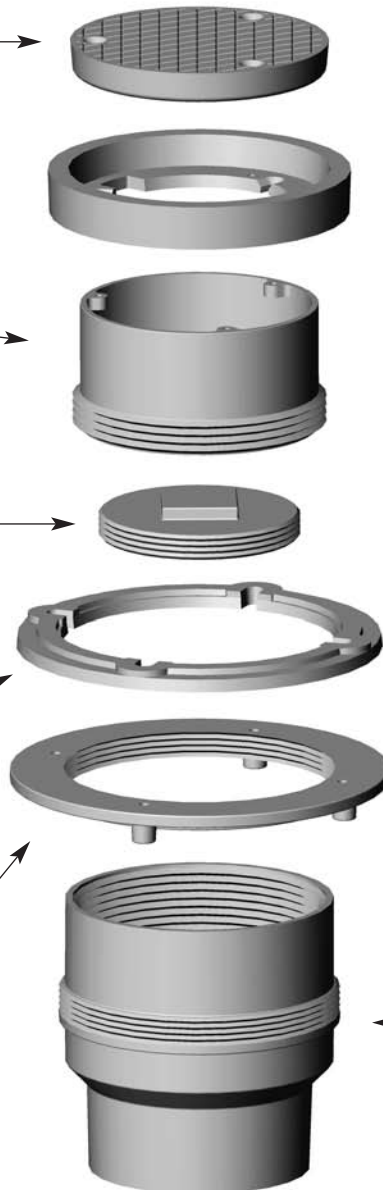
ABS plastic closure plug with gas-tight sealing tapered threads.

OPTIONAL CLAMP RING

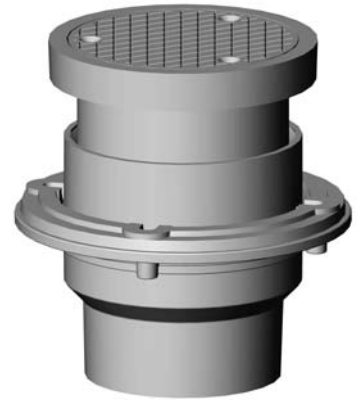
To secure waterproof membrane to flashing flange.

OPTIONAL (-F) FLASHING FLANGE

Mates with machined exterior thread on ferrule to provide watertight connection without the additional use of sealant by others.



55000



55000-Y Series KLEENATRON® Cleanouts feature JOSAM JIFFEE-SET connections with MULTI-TITE® service weight (SV) soil pipe gaskets in 2, 3 and 4 inch sizes for labor-saving assembly to service weight and no-hub cast iron pipe, and to PVC and ABS pipe. Merely lubricate gasket and pipe, set cleanout in place, push down until top of pipe contacts built-in stop and the joint is complete.

CAST IRON BODY

With interior threads to provide unimpaired LEVELEZE® adjustment of top section.

*SPECIAL-DUTY: Grates testing over 10,000 lb. (4500 kg.) ASME 112.6.3-2001.

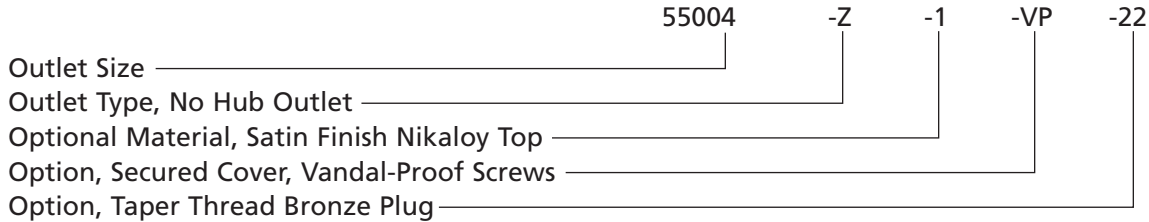
CLEANOUTS

How to Order

FLOOR CLEANOUTS – Unless optional materials are specified, standard material shown in Specification will be provided.

Example: Series No. 55000

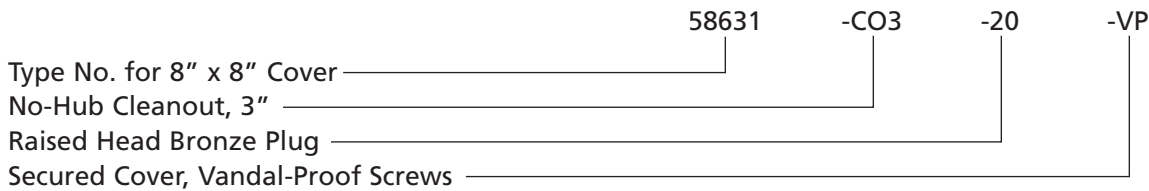
Type No. 55004



WALL OR FLOOR ACCESS COVERS – When outlet size does not apply, refer to dimension table for Type No. to be ordered.

Example: Series No. 58630

Type No. 58631



CLEANOUTS • Pictorial Selection Guide

ADJUSTABLE FLOOR CLEANOUTS

55000 C.I. Cover, Internal Plug  Page 188	55000-1 Nikaloy Cover, Internal Plug  Page 188	55000-1-SD Nikaloy Laminated C.I. Cover, Internal Plug  Page 189	55000-1-SQ Nikaloy Cover, Internal Plug  Page 190	55000-1-13 Nikaloy Cover Recessed for Terrazzo Tile, Internal Plug  Page 191	57008-Z-CI Cast Iron Cover, Internal Plug  Page 192
---	---	--	---	--	---

ADJUSTABLE FLOOR CLEANOUTS

57008-Z-1 Nikaloy Cover, Internal Plug  Page 192	57008-Z-1-SD Nikaloy Laminated C.I. Cover, Internal Plug  Page 192	57008-Z-1-12 Nikaloy Cover Recessed for Tile, Internal Plug  Page 193	57008-Z-LT No-Hub Cast Iron Ferrule & ABS Plug  Page 193	58360 Nikaloy Cover, Bronze Plug  Page 194	58460A Nikaloy Cover, Bronze Plug, Double Drainage Flange  Page 194
--	--	---	---	---	---

ADJ. C.O.	ACCESS HOUSINGS				SPANNER
58460A-AE Nikaloy Cover, Bronze Plug, Adjustable Collar 	58580 Cast Iron Access Housing 	58580-1 Nikaloy Access Housing 	58580-1-SQ Nikaloy Access Housing 	58680 Heavy-Duty Access Housing 	56670 Threaded Cover, Spanner Type 
Page 195	Page 196	Page 196	Page 197	Page 201	Page 191

PLUG	FERRULE	C.O. TEE	ACCESS COVERS		
58540 N.P.T. Threaded Bronze Plug 	58900 No-Hub Ferrule, Bronze Plug 	58910 No-Hub Cleanout Tee, Bronze Plug 	58600 Access Cover 	58610 Access Cover with Anchor Lugs 	58620 Hinged Access Cover 
Page 195	Page 203	Page 204	Page 198	Page 198	Page 199

ACCESS COVERS			COMBINATIONS		
58630 Hinged Access Cover 	58640 Secured Cover 	58650 Secured Cover 	58600-PLG Access Cover & Plug 	58600-CO Access Cover and No-Hub Cleanout 	58600-COT Access Cover and No-Hub Cleanout Tee 
Page 199	Page 200	Page 200	Page 201	Page 201	Page 202

COMBINATIONS					
58610-CO Access Cover with Anchor Lugs & No-Hub Cleanout 	58610-COT Access Cover with Anchor Lugs & No-Hub Cleanout Tee 	58630-CO Hinged Access Cover and No-Hub Cleanout 	58630-COT Hinged Access Cover and No-Hub Cleanout Tee 	58640-CO Secured Cover and No-Hub Cleanout 	58640-COT Secured Cover and No-Hub Cleanout Tee 
Page 201	Page 201	Page 202	Page 202	Page 203	Page 203

55000 SERIES

LEVELEZE® KLEENATRON® II SPECIAL-DUTY

APPLICATION

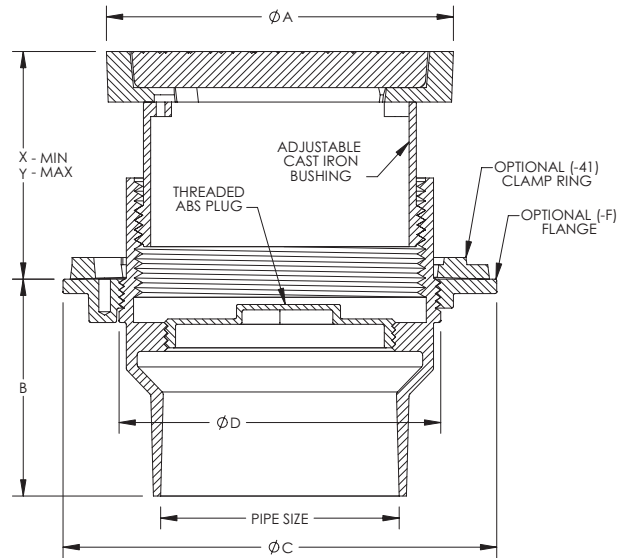
For use in finished or unfinished floors subject to heavy wheel traffic such as warehouses, loading docks and warehouse stores. Top design allows for unimpaired adjustment even as the floor is being poured.

SPECIFICATION

JOSAM 55000 Series coated cast iron LEVELEZE® KLEENATRON® II Floor Cleanout, internal ABS cleanout plug, adjustable cast iron housing with special-duty scoriated secured round cast iron cover.

Available Options

- | | |
|---|--|
| ▼ -1 Satin Finish Nikaloy Top | -SS-SQ Square Top, Stainless Steel |
| ▼ -1-SD Special-Duty Satin Finish Nikaloy Top | ▼ -5 Ductile Iron Top |
| ▼ -1-5Q Square Top, Satin Finish Nikaloy | -14 Carpet Cleanout Marker |
| ▼ -1-12 Cover Recessed for Tile, Satin Finish Nikaloy | -VP Secured Cover, Vandal-Proof Screws |
| ▼ -1-13 Terrazzo Tile Cover, Satin Finish Nikaloy | -22 Taper Thread Bronze Plug |
| -2 Satin Finish Bronze Top | -31 Galvanized Cast Iron Parts |
| -2-SD Special-Duty Satin Finish Bronze Top | -41 Clamp Ring and Flange |
| -2-5Q Square Top, Satin Finish Bronze | -F Flange Only |
| -2-12 Cover Recessed for Tile, Satin Finish Bronze | -WF Wide Flange (not available on CI) |
| -2-13 Terrazzo Tile Cover, Satin Finish Bronze | -CFC Carpet Cleanout Flange Cover |
| -SS Stainless Steel Top | |
- OUTLETS:**
- | |
|-------------------------------|
| -X Inside Caulk Outlet |
| -Y Hub Outlet w/Gasket, 2"-4" |
| -Z No-Hub Outlet |



* FLANGE STANDARD ON 4" -X AND 6" SIZES.

FOR OUTLET TYPE SPECIFY -X, -Y or -Z

TYPE NO.	PIPE SIZE	A	B	C*	D	X	Y	LBS.
55002	2	6	3-3/4	7-1/2	5-9/16	2-3/4	4-1/4	15
55003	3	6	3-3/4	7-1/2	5-9/16	2-3/4	4-1/4	15
55004	4	6	3-3/4	7-1/2	5-9/16	2-3/4	4-1/4	16
55004-X	4	7-1/2	4-1/4	9-3/16	7	2-5/8	4-5/16	18
55005-Z	5	6	3-3/4	7-1/2	5-9/16	2-3/4	4-1/4	16
55006-Z	6	7-1/2	4-1/4	9-3/16	7	2-5/8	4-5/16	18

55000-1 SERIES

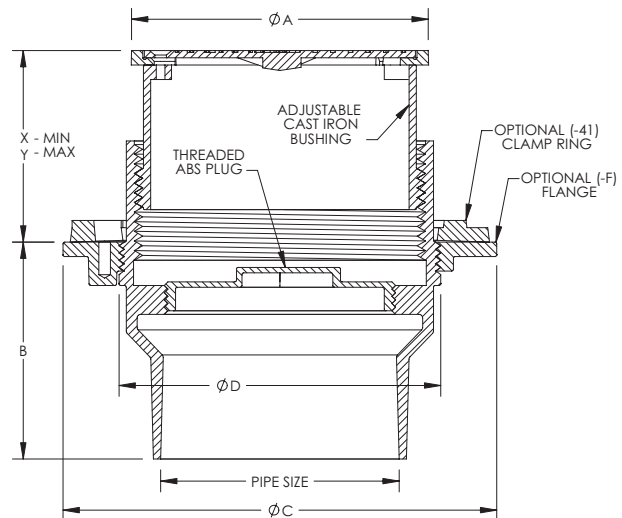
with -1 Nikaloy Top

APPLICATION

For use in finished floors subject to pedestrian and light wheel traffic such as schools, hospitals and shopping malls. Top design allows for unimpaired adjustment even as the floor is being poured.

SPECIFICATION

JOSAM 55000-1 Series coated cast iron LEVELEZE® KLEENATRON® II Floor Cleanout, internal ABS cleanout plug, adjustable cast iron housing with medium-duty scoriated secured round satin Nikaloy cover.



* FLANGE STANDARD ON 4" -X AND 6" SIZES.

FOR OUTLET TYPE SPECIFY -X, -Y or -Z

TYPE NO.	PIPE SIZE	A	B	C*	D	X	Y	LBS.
55002-1	2	5-1/8	3-3/4	7-1/2	5-9/16	2-1/8	3-5/8	12
55003-1	3	5-1/8	3-3/4	7-1/2	5-9/16	2-1/8	3-5/8	12
55004-1	4	5-1/8	3-3/4	7-1/2	5-9/16	2-1/8	3-5/8	13
55004-1-X	4	6-5/8	4-1/4	9-3/16	7	2	3-11/16	14
55005-1-Z	5	5-1/8	3-3/4	7-1/2	5-9/16	2-1/8	3-5/8	12
55006-1-Z	6	6-5/8	4-1/4	9-3/16	7	2	3-11/16	14

55000-5 SERIES with -5 Ductile Iron Top

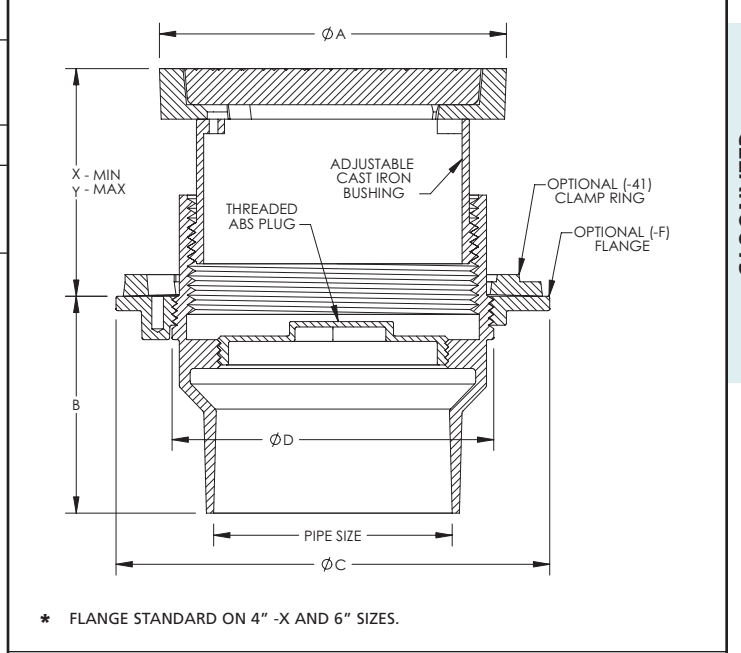
APPLICATION

For use in finished or unfinished floors subject to heavy wheel traffic or impact loads, such as warehouses, loading docks and warehouse stores. Top design allows for unimpaired adjustment even as the floor is being poured.

SPECIFICATION

JOSAM 55000-5 Series coated cast iron LEVELEZE® KLEENATRON® II Floor Cleanout, internal ABS cleanout plug, adjustable cast iron housing with special-duty scoriated secured round ductile iron cover.

OPTION N/A:
-WF



FOR OUTLET TYPE SPECIFY -X, -Y or -Z

TYPE NO.	PIPE SIZE	A	B	C*	D	X	Y	LBS.
55002-5	2	6	3-3/4	7-1/2	5-9/16	2-3/4	4-1/4	15
55003-5	3	6	3-3/4	7-1/2	5-9/16	2-3/4	4-1/4	15
55004-5	4	6	3-3/4	7-1/2	5-9/16	2-3/4	4-1/4	16
55004-5-X	4	7-1/2	4-1/4	9-3/16	7	2-5/8	4-5/16	18
55005-5-Z	5	6	3-3/4	7-1/2	5-9/16	2-3/4	4-1/4	16
55006-5-Z	6	7-1/2	4-1/4	9-3/16	7	2-5/8	4-5/16	18

55000-1-SD SERIES with -1-SD Nikaloy Special-Duty Top

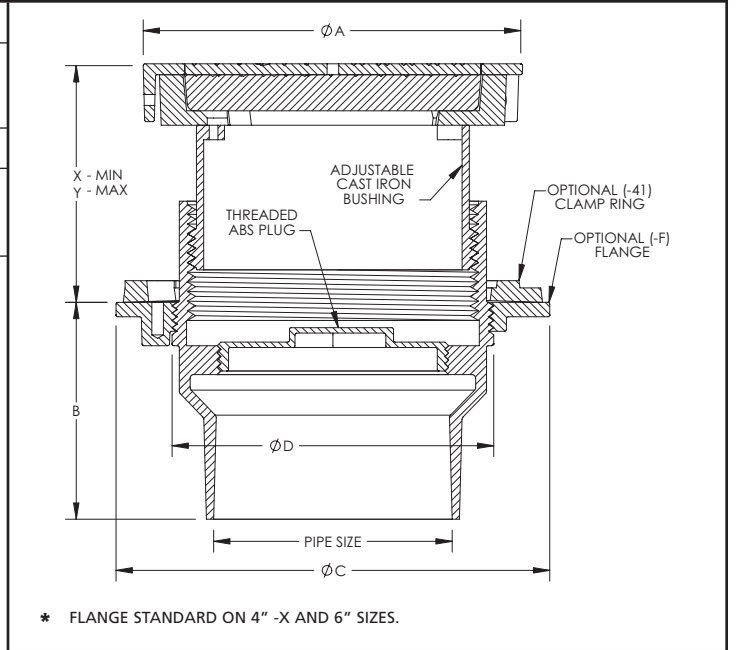
APPLICATION

For use in finished or unfinished floors subject to heavy wheel traffic or impact loads, such as warehouses, loading docks and warehouse stores. Top design allows for unimpaired adjustment even as the floor is being poured.

SPECIFICATION

JOSAM 55000-1-SD Series coated cast iron LEVELEZE® KLEENATRON® II Floor Cleanout, internal ABS cleanout plug, adjustable cast iron housing with special-duty scoriated secured round laminated satin Nikaloy cover.

OPTION N/A:
-WF



FOR OUTLET TYPE SPECIFY -X, -Y or -Z

TYPE NO.	PIPE SIZE	A	B	C*	D	X	Y	LBS.
55002-1-SD	2	6-9/16	3-3/4	7-1/2	5-9/16	3	4-1/2	16
55003-1-SD	3	6-9/16	3-3/4	7-1/2	5-9/16	3	4-1/2	16
55004-1-SD	4	6-9/16	3-3/4	7-1/2	5-9/16	3	4-1/2	17
55004-1-SD-X	4	8-3/16	4-1/4	9-3/16	7	2-7/8	4-9/16	19
55005-1-SD-Z	5	6-9/16	3-3/4	7-1/2	5-9/16	3	4-1/2	17
55006-1-SD-Z	6	8-3/16	4-1/4	9-3/16	7	2-7/8	4-9/16	19

55000-1-SQ SERIES

with -1-SQ Nikaloy Square Top

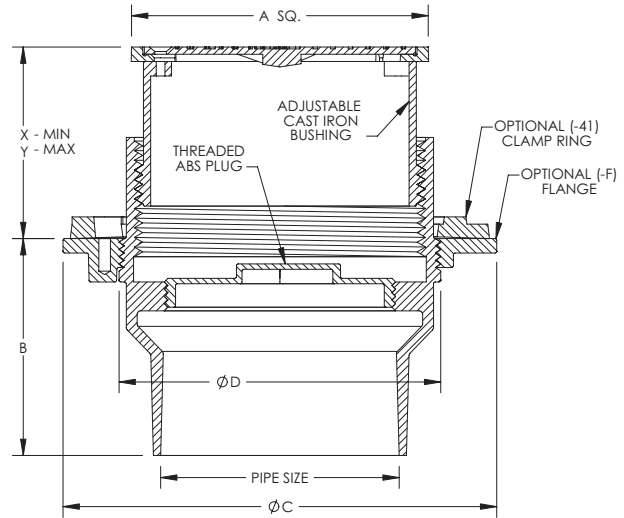
APPLICATION

For use in finished floors subject to pedestrian and light wheel traffic such as schools, hospitals and shopping malls where a square top complements construction or floor finish. Top design allows for unimpaired adjustment even as the floor is being poured.

SPECIFICATION

JOSAM 55000-1-SQ Series coated cast iron LEVELEZE® KLEENATRON® II Floor Cleanout, internal ABS cleanout plug, adjustable cast iron housing with medium-duty scoriated secured square satin Nikaloy cover.

OPTION N/A:
-WF



* FLANGE STANDARD ON 4" -X AND 6" SIZES.

FOR OUTLET TYPE SPECIFY -X, -Y or -Z

TYPE NO.	PIPE SIZE	A	B	C*	D	X	Y	LBS.
55002-1-SQ	2	5-3/8	3-3/4	7-1/2	5-9/16	2-1/8	3-5/8	13
55003-1-SQ	3	5-3/8	3-3/4	7-1/2	5-9/16	2-1/8	3-5/8	13
55004-1-SQ	4	5-3/8	3-3/4	7-1/2	5-9/16	2-1/8	3-5/8	14
55004-1-SQ-X	4	7	4-1/4	9-3/16	7	2	3-11/16	16
55005-1-SQ-Z	5	5-3/8	3-3/4	7-1/2	5-9/16	2-1/8	3-5/8	14
55006-1-SQ-Z	6	7	4-1/4	9-3/16	7	2	3-11/16	16

55000-1-12 SERIES

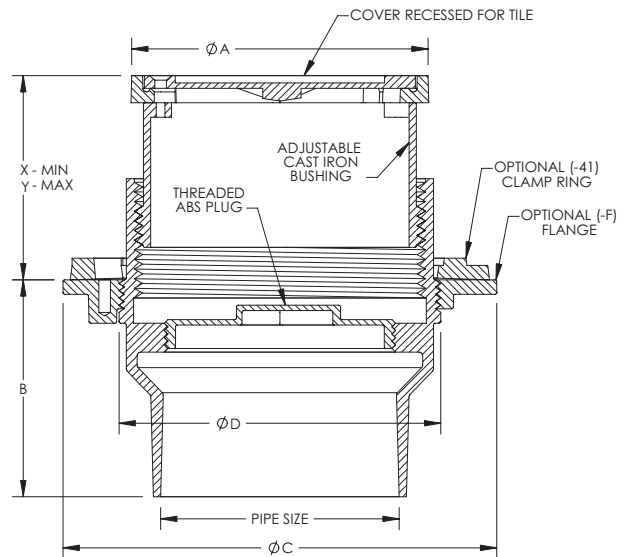
with -1-12 Nikaloy Top Recessed for Tile

APPLICATION

For use in finished floors subject to pedestrian and light wheel traffic such as schools, hospitals and shopping malls where the recessed cover accepts matching tile to complement floor finish. Top design allows for unimpaired adjustment even as the floor is being poured.

SPECIFICATION

JOSAM 55000-1-12 Series coated cast iron LEVELEZE® KLEENATRON® II Floor Cleanout, internal ABS cleanout plug, adjustable cast iron housing with medium-duty scoriated secured round satin Nikaloy cover recessed for tile.



* FLANGE STANDARD ON 4" -X AND 6" SIZES.

FOR OUTLET TYPE SPECIFY -X, -Y or -Z

TYPE NO.	PIPE SIZE	A	B	C*	D	X	Y	LBS.
55002-1-12	2	5-1/8	3-3/4	7-1/2	5-9/16	2-1/8	3-5/8	12
55003-1-12	3	5-1/8	3-3/4	7-1/2	5-9/16	2-1/8	3-5/8	12
55004-1-12	4	5-1/8	3-3/4	7-1/2	5-9/16	2-1/8	3-5/8	13
55004-1-12-X	4	6-5/8	4-1/4	9-3/16	7	2	3-11/16	14
55005-1-12-Z	5	5-1/8	3-3/4	7-1/2	5-9/16	2-1/8	3-5/8	12
55006-1-12-Z	6	6-5/8	4-1/4	9-3/16	7	2	3-11/16	14

55000-1-13 SERIES with -1-13 Terrazzo Tile Cover

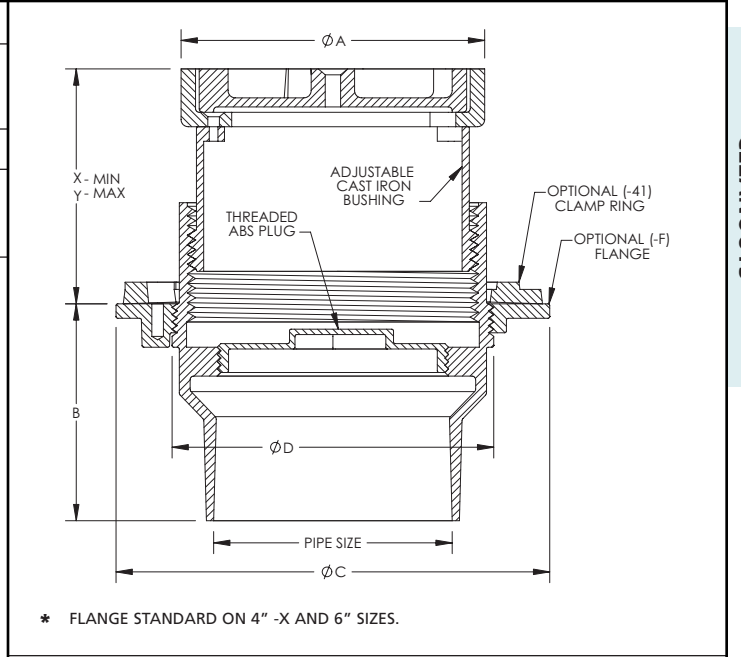
APPLICATION

For use in finished floors subject to pedestrian and light wheel traffic such as schools, hospitals and shopping malls where the recessed cover accepts terrazzo flooring. Top design allows for unimpaired adjustment even as the floor is being poured.

SPECIFICATION

JOSAM 55000-1-13 Series coated cast iron LEVELEZE® KLEENATRON® II Floor Cleanout, internal ABS cleanout plug, adjustable cast iron housing with medium-duty scoriated secured round satin Nikaloy cover recessed for terrazzo flooring.

OPTION N/A:
-WF



FOR OUTLET TYPE SPECIFY -X, -Y or -Z

TYPE NO.	PIPE SIZE	A	B	C*	D	X	Y	LBS.
55002-1-13	2	5-1/4	3-3/4	7-1/2	5-9/16	2-7/8	4-3/8	15
55003-1-13	3	5-1/4	3-3/4	7-1/2	5-9/16	2-7/8	4-3/8	15
55004-1-13	4	5-1/4	3-3/4	7-1/2	5-9/16	2-7/8	4-3/8	16
55004-1-13-X	4	7	4-1/4	9-3/16	7	2-3/4	4-7/16	18
55005-1-13-Z	5	5-1/4	3-3/4	7-1/2	5-9/16	2-7/8	4-3/8	16
55006-1-13-Z	6	7	4-1/4	9-3/16	7	2-3/4	4-7/16	18

56670 SERIES SPANNER TYPE FLOOR CLEANOUT

APPLICATION

For use in finished floors subject to pedestrian or light wheel traffic where direct access to drain or waste line is desired. A threaded flanged plug maintains the gas and watertight seal and is removable by the use of a spanner wrench.

SPECIFICATION

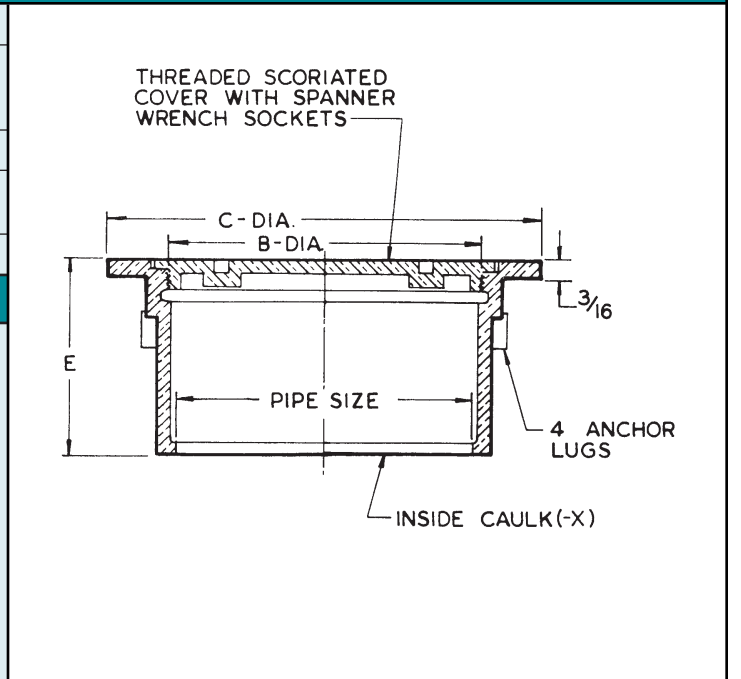
JOSAM 56670 Series round cast Nikaloy Floor Cleanout, inside caulk connection, and threaded satin scoriated round cover with spanner wrench sockets.

Available Options

- 2 Satin Finish Bronze Top
- 11 Smooth Top
- 14 Carpet Cleanout Marker
- 24 Spanner Wrench

OUTLET:

- X Inside Caulk Outlet



FOR OUTLET TYPE SPECIFY -X

TYPE NO.	PIPE SIZE	B	C	E	LBS.
56672	2	3-3/8	5-3/8	3-1/4	3
56673	3	5-1/2	7-3/8	3-1/4	6
56674	4	5-1/2	7-3/8	3-1/4	6
56675	5	7-3/4	9-3/8	3-1/2	9
56676	6	7-3/4	9-1/2	3-5/8	10

57008-Z-CI SERIES

LEVELEZE® KLEENATRON®

APPLICATION

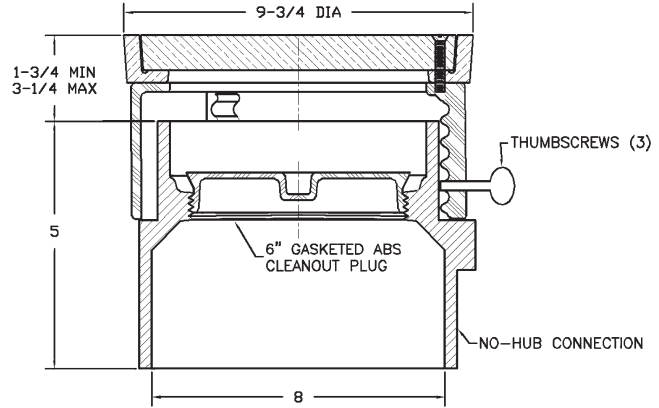
For use in finished or unfinished floors subject to heavy wheel traffic such as warehouses, loading docks and warehouse stores. Top design allows for unimpaired adjustment even as the floor is being poured.

SPECIFICATION

JOSAM 57008-Z-CI Series coated cast iron LEVELEZE® KLEENATRON® Floor Cleanout, internal gasketed ABS cleanout plug and adjustable ABS housing with special-duty scoriated secured round cast iron top.

Available Options

▼ -1 Satin Finish Nikaloy Top	-14 Carpet Cleanout Marker
▼ -1-SD Special-Duty SF Nikaloy Top	-VP Secured Cover, VP Screws
▼ -1-SQ Square Top, SF Nikaloy	-22 Taper Thread Bronze Plug
▼ -1-12 Cover Recessed for Tile, Satin Finish Nikaloy	-31 Galvanized Cast Iron Parts
-2 Satin Finish Bronze Top	-WF Wide Flange (N/A on C.I.)
-2-SD Special-Duty SF Bronze Top	-CFC Carpet Cleanout Flange Cover
-2-SQ Square Top, SF Bronze	OUTLET:
-2-12 Cover Recessed for Tile, Satin Finish Bronze	-Z No-Hub Outlet



FOR OUTLET TYPE SPECIFY -Z

TYPE NO.	PIPE SIZE	LBS.
57008-Z-CI	8	25

57008-Z-1 SERIES

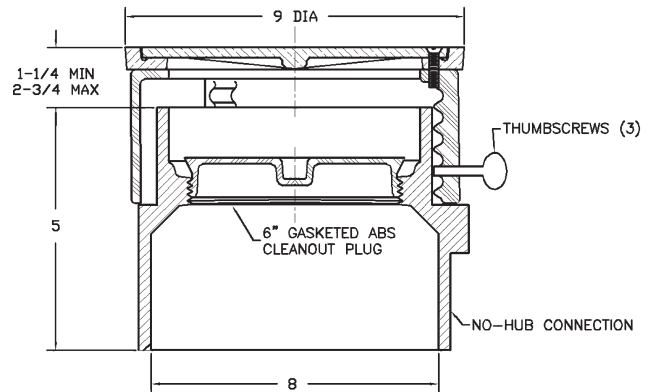
with -1 Nikaloy Top

APPLICATION

For use in finished floors subject to pedestrian and light wheel traffic such as schools, hospitals and shopping malls. Top design allows for unimpaired adjustment even as the floor is being poured.

SPECIFICATION

JOSAM 57008-Z-1 Series coated cast iron LEVELEZE® KLEENATRON® Floor Cleanout, internal gasketed ABS cleanout plug, no-hub connection, and adjustable ABS housing with medium-duty scoriated secured round satin Nikaloy top.



FOR OUTLET TYPE SPECIFY -Z

TYPE NO.	PIPE SIZE	LBS.
57008-Z-1	8	18

57008-Z-1-SD SERIES

with -1-SD Special-Duty Nikaloy Top

APPLICATION

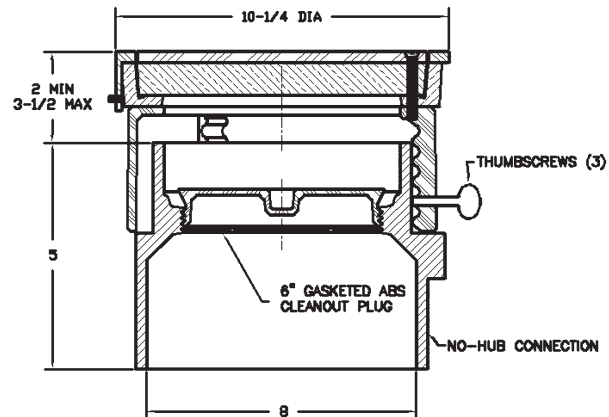
For use in finished or unfinished floors subject to heavy wheel traffic such as warehouses, loading docks and warehouse stores. Top design allows for unimpaired adjustment even as the floor is being poured.

SPECIFICATION

JOSAM 57008-Z-1-SD Series coated cast iron LEVELEZE® KLEENATRON® Floor Cleanout, internal gasketed ABS cleanout plug, no-hub connection and adjustable ABS housing with special-duty scoriated secured round laminated satin Nikaloy top.

OPTION N/A

-SQ



FOR OUTLET TYPE SPECIFY -Z

TYPE NO.	PIPE SIZE	LBS.
57008-Z-1-SD	8	31

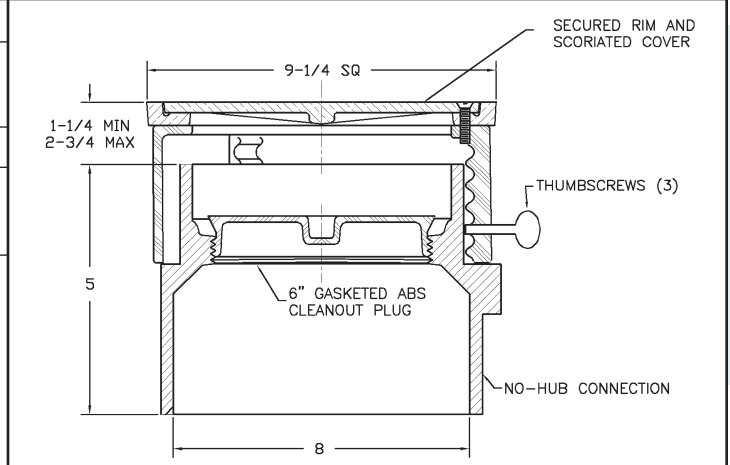
57008-Z-1-SQ SERIES with -1-SQ Nikaloy Square Top

APPLICATION

For use in finished floors subject to pedestrian and light wheel traffic such as schools, hospitals and shopping malls where a square top complements construction or floor finish. Top design allows for unimpaired adjustment even as the floor is being poured.

SPECIFICATION

JOSAM 57008-Z-1-SQ Series coated cast iron LEVELEZE® KLEENATRON® Floor Cleanout, internal gasketed ABS cleanout plug, no-hub connection, and adjustable ABS housing with medium-duty scoriated secured square satin Nikaloy top.



FOR OUTLET TYPE SPECIFY -Z

TYPE NO.	PIPE SIZE	LBS.
57008-Z-1-SQ	8	19

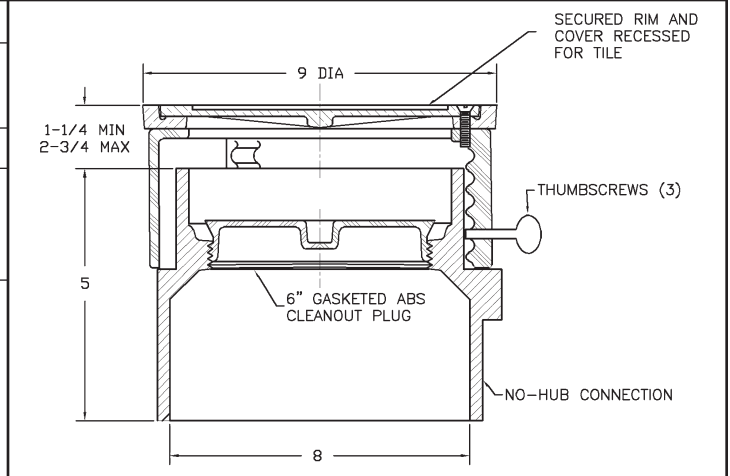
57008-Z-1-12 SERIES with -1-12 Nikaloy Top Recessed for Tile

APPLICATION

For use in finished floors subject to pedestrian and light wheel traffic such as schools, hospitals and shopping malls. Top design allows for unimpaired adjustment even as the floor is being poured.

SPECIFICATION

JOSAM 57008-Z-1-12 Series coated cast iron LEVELEZE® KLEENATRON® Floor Cleanout, internal gasketed ABS cleanout plug, no-hub connection, and adjustable ABS housing with medium-duty scoriated secured round satin Nikaloy cover recessed for tile.



FOR OUTLET TYPE SPECIFY -Z

TYPE NO.	PIPE SIZE	LBS.
57008-Z-1-12	8	19

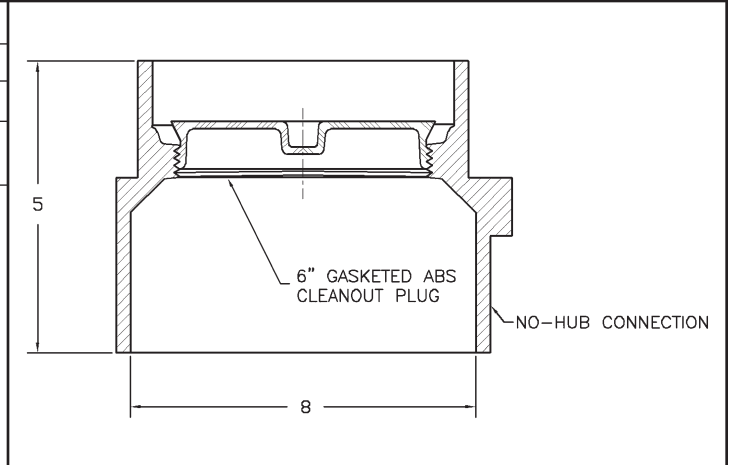
57008-Z-LT SERIES with -LT Less Top

APPLICATION

For use in unfinished areas not subject to traffic.

SPECIFICATION

JOSAM 57008-Z-LT Series coated cast iron Cleanout Ferrule, no-hub connection and gasketed ABS cleanout plug.



FOR OUTLET TYPE SPECIFY -Z

TYPE NO.	PIPE SIZE	LBS.
57008-Z-LT	8	11

58360 SERIES

ADJUSTABLE FLOOR CLEANOUT

APPLICATION

For use in finished floors subject to pedestrian and light wheel traffic such as strip malls and light commercial buildings where a full line sized plug is not required. Top design allows for adjustment.

SPECIFICATION

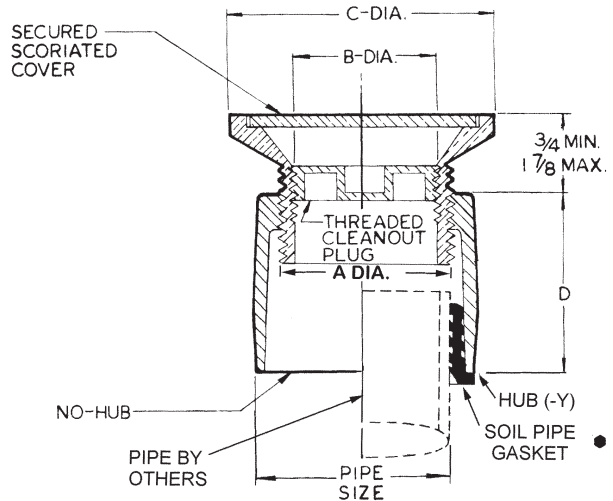
JOSAM 58360 Series coated cast iron Ferrule and adjustable cast Nikaloy Floor Cleanout, internal bronze countersunk plug and solid scoriated secured round cover.

Available Options

- 2 Satin Finish Bronze Top
- 14 Carpet Cleanout Marker
- VP Secured Cover, Vandal-Proof Screws
- 31 Galvanized Cast Iron Parts

OUTLETS:

- Y Hub Outlet w/Gasket, 2" -4"
- Z No-Hub Spigot Outlet



● CONFORMS WITH ASTM-C564.

FOR OUTLET TYPE SPECIFY -Y or -Z

TYPE NO.	PIPE SIZE	A	B	C	D	LBS.
58362	2	2	1-1/2	4	4-1/2	4
58363	3	2	1-1/2	4	3-1/8	4
58364	4	3	2-3/4	5	3-3/8	6
58365	5	3	2-3/4	5	4-1/4	12
58366	6	3	2-3/4	5	4-1/4	13
58362-Y	2	2	1-1/2	4	3-1/8	4
58363-Y	3	3	2-3/4	5	3-3/8	6
58364-Y	4	3	2-3/4	5	4-1/4	12

58460A SERIES

FLOOR CLEANOUT

APPLICATION

For use in unfinished floors subject to pedestrian and light wheel traffic such as schools, hospitals and shopping malls where an oversized cover and body are desired. Top assembly has double drainage flange with flashing clamp.

SPECIFICATION

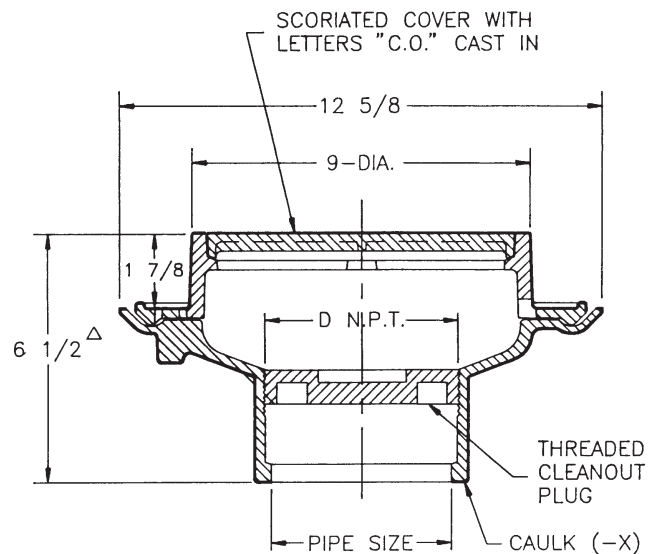
JOSAM 58460A Series coated cast iron Floor Cleanout, internal bronze countersunk plug, inside caulk connection, and scoriated round top.

Available Options

- ▼ -AE Adjustable Extension
- 1 Satin Finish Nikaloy Top
- 2 Satin Finish Bronze Top
- 6 Square Top, Cast Iron
- 6-1 Square Top, Nikaloy
- 6-2 Square Top, Bronze
- 12 Top Recessed for Tile
- 14 Carpet Cleanout Marker
- VP Secured Cover, Vandal-Proof Screws
- 20 Raised Head Bronze Plug
- 31 Galvanized Cast Iron Parts

OUTLET:

- X Inside Caulk Outlet



△ ADD 1/4" WHEN FURNISHED WITH NIKALOY OR BRONZE TOP.

FOR OUTLET TYPE SPECIFY -X

TYPE NO.	PIPE SIZE	D	LBS.
58462A	2	4	26
58463A	3	4	26
58464A	4	5	29

58460A-AE SERIES

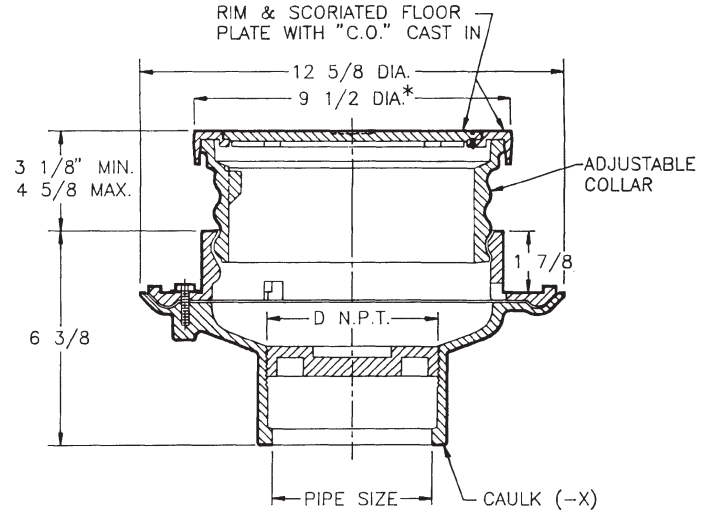
with -AE Adjustable Extension

APPLICATION

For use in finished floors subject to pedestrian and light wheel traffic such as schools, hospitals and shopping malls where an oversized cover and body are desired. Top design allows for adjustment even as the floor is being poured.

SPECIFICATION

JOSAM 58460A-AE Series coated cast iron LEVELEZE® Floor Cleanout, adjustable collar with rolled thread and internal bronze countersunk plug, inside caulk connection, satin Nikaloy rim and scoriated secured round Nikaloy cover.



* THIS DIM. 9" SQ. ON (-6) TOP.

FOR OUTLET TYPE SPECIFY -X

TYPE NO.	PIPE SIZE	D	LBS.
58462A-AE	2	3	38
58463A-AE	3	4	38
58464A-AE	4	5	38

58540 SERIES

THREADED BRONZE PLUG

APPLICATION

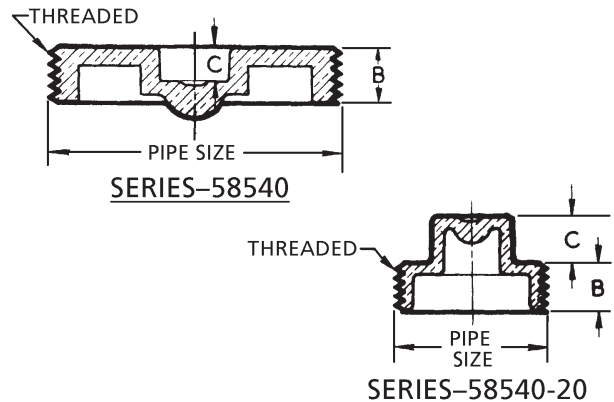
For use as a replacement plug for JOSAM cleanouts or any N.P.T. female threaded fitting.

SPECIFICATION

JOSAM 58540 Series countersunk bronze N.P.T. Threaded Plug for use in conjunction with JOSAM cleanouts or standard pipe fittings.

Available Options

- 19 Plug Tapped for Center Screw
- 20 Raised Head Bronze Plug



- ▲ For 10" Size, Specify 58549-20
- ▲ 10" Size Available with Raised Head Plug Only

TYPE NO.	PIPE SIZE	B	C	LBS.	B (-20)	C (-20)	LBS. (-20)
58541	1	7/8	1/2	1	7/16	3/8	1
58541-1/4	1-1/4	7/8	1/2	1	1/2	5/8	1
58541-1/2	1-1/2	5/8	3/8	1	5/8	3/4	1
58542	2	5/8	3/8	1	5/8	3/4	1
58542-1/2	2-1/2	3/4	1/2	1	3/4	3/4	1
58543	3	3/4	1/2	1	3/4	1	1
58543-1/2	3-1/2	3/4	1/2	1	3/4	1	1
58544	4	7/8	1/2	1	7/8	1	2
58545	5	1	1/2	2	1	1	3
58546	6	1	1/2	3	1	1	5
58548	8	1-1/8	5/8	7	1-1/8	1-1/8	8
▲58549	10	-	-	-	1-1/8	1-1/4	10

58580 SERIES

ACCESS HOUSING AND COVER

APPLICATION

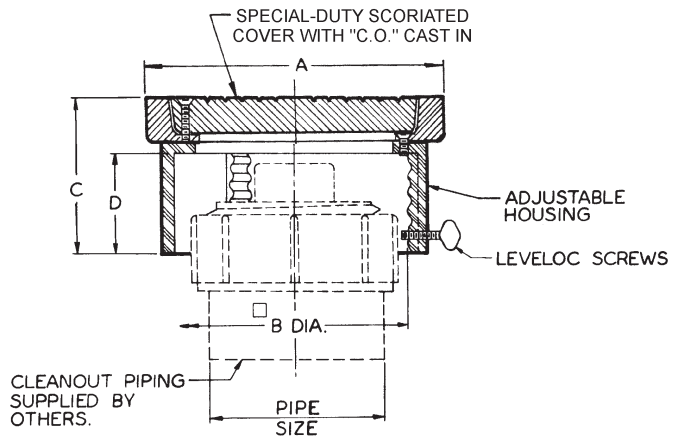
For use in finished or unfinished floors subject to heavy wheel traffic such as warehouses, loading docks and warehouse stores. May be used with cast iron or plastic cleanout ferrule and plug supplied by others. LEVELOC® thumb screws allow top to be secured to ferrule.

SPECIFICATION

JOSAM 58580 Series ABS Floor Access Housing with special-duty scoriated secured round cast iron top and LEVELOC® screws.

Available Options

- ▼ -1 Satin Finish Nikaloy Top
- ▼ -1-SD Special-Duty Satin Finish Nikaloy Top
- ▼ -1-SQ Square Top, Satin Finish Nikaloy
- 2 Satin Finish Bronze Top
- 2-SD Special-Duty Satin Finish Bronze Top
- 2-SQ Square Top, Satin Finish Bronze
- 5 Ductile Iron Top



□ MAXIMUM SPACE AVAILABLE FOR PIPE FITTING ENCLOSURE, ETC.

TYPE NO.	PIPE SIZE	A	□ B	C	D	LBS.
58582	2	6	3-3/16	3-7/8	2-9/16	7
58584	3, 4	7-5/8	5-3/16	3-7/8	2-9/16	9
58586	5, 6	9-3/4	7-3/8	3-7/8	2-9/16	11

58580-1 SERIES

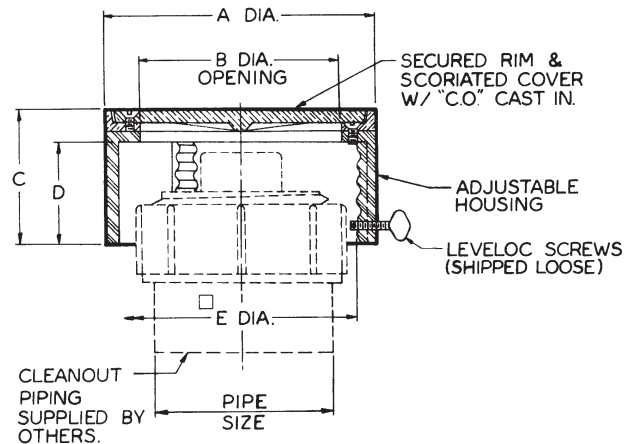
with -1 Nikaloy Top

APPLICATION

For use in finished floors subject to pedestrian and light wheel traffic such as schools, hospitals and shopping malls. May be used with cast iron or plastic cleanout ferrule and plug supplied by others. LEVELOC® thumb-screws allow top to be secured to ferrule.

SPECIFICATION

JOSAM 58580-1 Series ABS Floor Access Housing with scoriated secured round satin Nikaloy top and LEVELOC® screws.



□ MAXIMUM SPACE AVAILABLE FOR PIPE FITTING ENCLOSURE, ETC.

TYPE NO.	PIPE SIZE	A	B	C	D	□ E	LBS.
58582-1	2	5-1/8	3-9/16	3-1/4	2-9/16	4	2
58584-1	3,4	6-3/4	5-3/16	3-1/4	2-9/16	5-3/4	4
58586-1	5,6	8-15/16	7-3/8	3-1/4	2-9/16	7-15/16	6

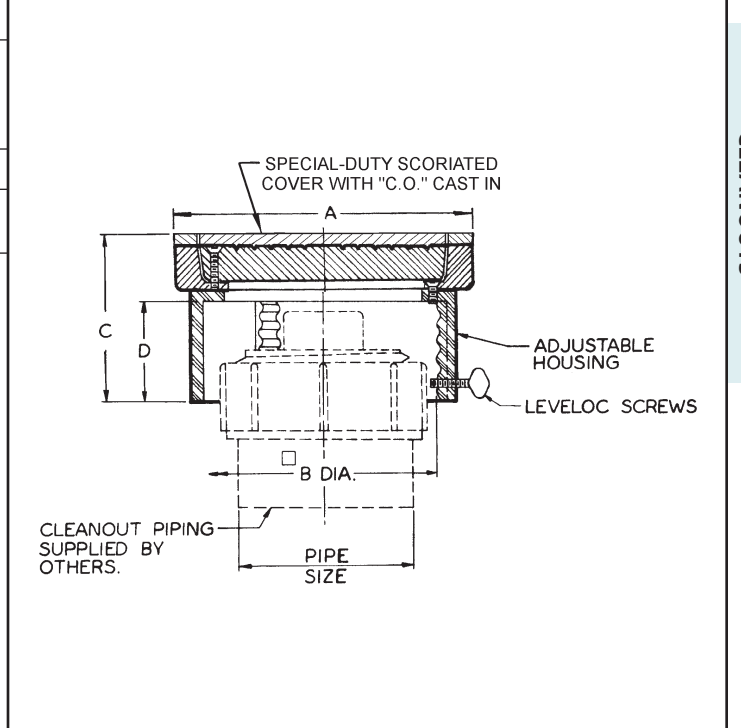
58580-1-SD SERIES with -1-SD Nikaloy Special-Duty Top

APPLICATION

For use in finished or unfinished floors subject to heavy wheel traffic or impact loads, such as warehouses, loading docks and warehouse stores. May be used with cast iron or plastic cleanout ferrule and plug supplied by others. LEVELOC® thumb screws allow top to be secured to ferrule.

SPECIFICATION

JOSAM 58580-1-SD Series ABS Floor Access Housing with special-duty scoriated secured round laminated satin Nikaloy cover and LEVELOC® screws.



□ MAXIMUM SPACE AVAILABLE FOR PIPE FITTING ENCLOSURE, ETC.

TYPE NO.	PIPE SIZE	A	□ B	C	D	LBS.
58582-1-SD	2	6	3-3/16	4-1/8	2-9/16	7
58584-1-SD	3,4	7-5/8	5-3/16	4-1/8	2-9/16	9
58586-1-SD	5,6	9-3/4	7-3/8	4-1/8	2-9/16	11

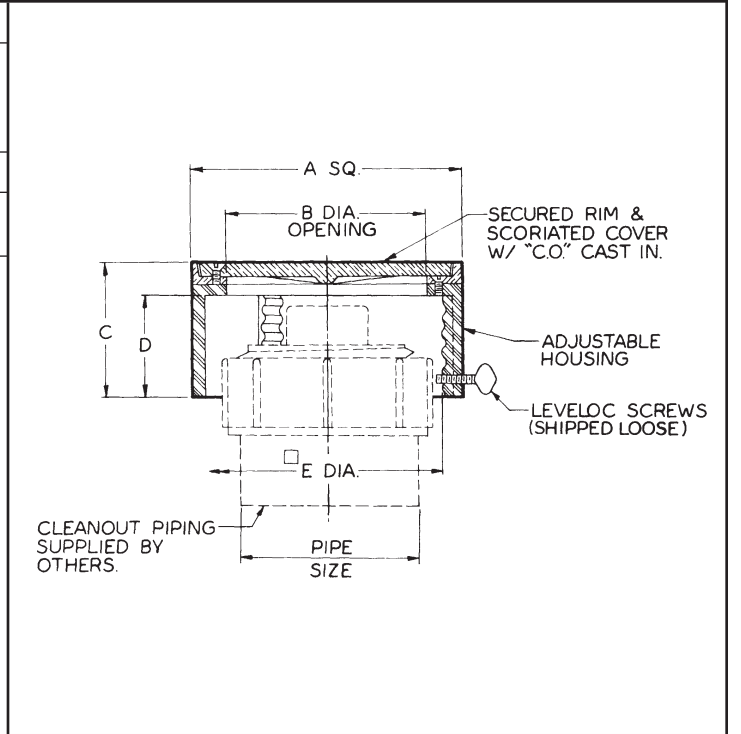
58580-1-SQ SERIES with -1-SQ Nikaloy Square Top

APPLICATION

For use in finished floors subject to pedestrian and light wheel traffic such as schools, hospitals and shopping malls where a square top complements construction or floor finish. May be used with cast iron or plastic cleanout ferrule and plug supplied by others. LEVELOC® thumb-screws allow top to be secured to ferrule.

SPECIFICATION

JOSAM 58580-1-SQ Series ABS Floor Access Housing with medium-duty scoriated secured square satin Nikaloy top and LEVELOC® screws.



□ MAXIMUM SPACE AVAILABLE FOR PIPE FITTING ENCLOSURE, ETC.

TYPE NO.	PIPE SIZE	A	B	C	D	□ E	LBS.
58582-1-SQ	2	5-3/8	3-9/16	3-1/4	2-9/16	4	3
58584-1-SQ	3, 4	7	5-3/16	3-1/4	2-9/16	5-3/4	5
58586-1-SQ	5, 6	9-1/4	7-3/8	3-1/4	2-9/16	7-15/16	7

58600 SERIES

WALL ACCESS COVER

APPLICATION

For use in finished walls to conceal cleanout fittings.

SPECIFICATION

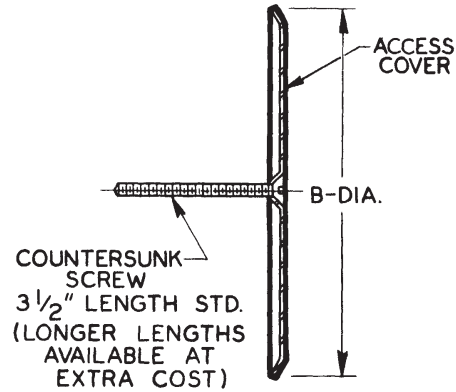
JOSAM 58600 Series round stainless steel Wall Access Cover with screw.

Available Options

-VP	Secured Cover, Vandal-Proof Screws	-PLG6	Bronze NPT Plug, 6"
-17	Center Screw Longer than Standard	-20	* Raised Head Bronze Plug
-PLG1-1/2	Bronze NPT Plug, 1-1/2"	-CO2	No-Hub Cleanout, 2"
-PLG2	Bronze NPT Plug, 2"	-CO3	No-Hub Cleanout, 3"
-PLG2-1/2	Bronze NPT Plug, 2-1/2"	-CO4	No-Hub Cleanout, 4"
-PLG3	Bronze NPT Plug, 3"	-CO6	No-Hub Cleanout, 6"
-PLG3-1/2	Bronze NPT Plug, 3-1/2"	-31	** Galv. Cast Iron Parts
-PLG4	Bronze NPT Plug, 4"	-COT2	No-Hub Cleanout Tee, 2"
-PLG5	Bronze NPT Plug, 5"	-COT3	No-Hub Cleanout Tee, 3"
		-COT4	No-Hub Cleanout Tee, 4"
		-COT6	No-Hub Cleanout Tee, 6"

* Specify -PLG

** Specify -CO or -COT



TYPE NO.	B	LBS.
58604	5-3/8	1
58606	7-5/8	1
58608	10-5/8	1

58610 SERIES

WALL OR FLOOR ACCESS COVER

APPLICATION

For use in finished walls or floors subject to pedestrian or light wheel traffic, to provide access to cleanout plugs, valves, controls or other equipment.

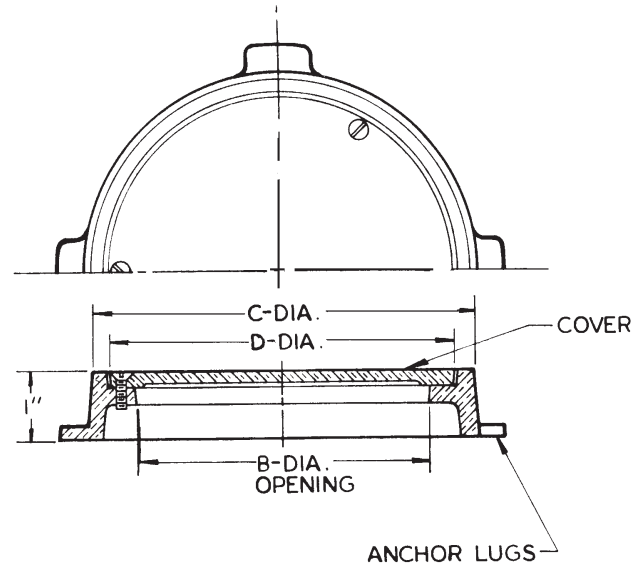
SPECIFICATION

JOSAM 58610 Series round cast Nikaloy Access Frame with anchor lugs and satin smooth secured cover.

Available Options

-2	Satin Finish Bronze Top
-10	Scoriated Cover
-14	Carpet Cleanout Marker
-VP	Secured Cover, Vandal-Proof Screws
-CO2	No-Hub Cleanout, 2"
-CO3	No-Hub Cleanout, 3"
-CO4	No-Hub Cleanout, 4"
-CO6	No-Hub Cleanout, 6"
-20	** Raised Head Bronze Plug
-31	** Galvanized Cast Iron Parts
-COT2	No-Hub Cleanout Tee, 2"
-COT3	No-Hub Cleanout Tee, 3"
-COT4	No-Hub Cleanout Tee, 4"
-COT6	No-Hub Cleanout Tee, 6"

** Specify -CO or -COT



TYPE NO.	PIPE SIZE	B	C	D	LBS.
58614	2, 3, 4	4-5/8	6	5-1/2	4
58616	5, 6	6-3/4	8-1/4	7-3/4	7
58618	8	9-3/8	10-7/8	10-3/8	10

58620 SERIES WALL OR FLOOR ACCESS COVER

APPLICATION

For use in finished walls or floors subject to pedestrian or light wheel traffic, to provide access to cleanout plugs, valves, controls or other equipment. Hinged cover allows for easy access.

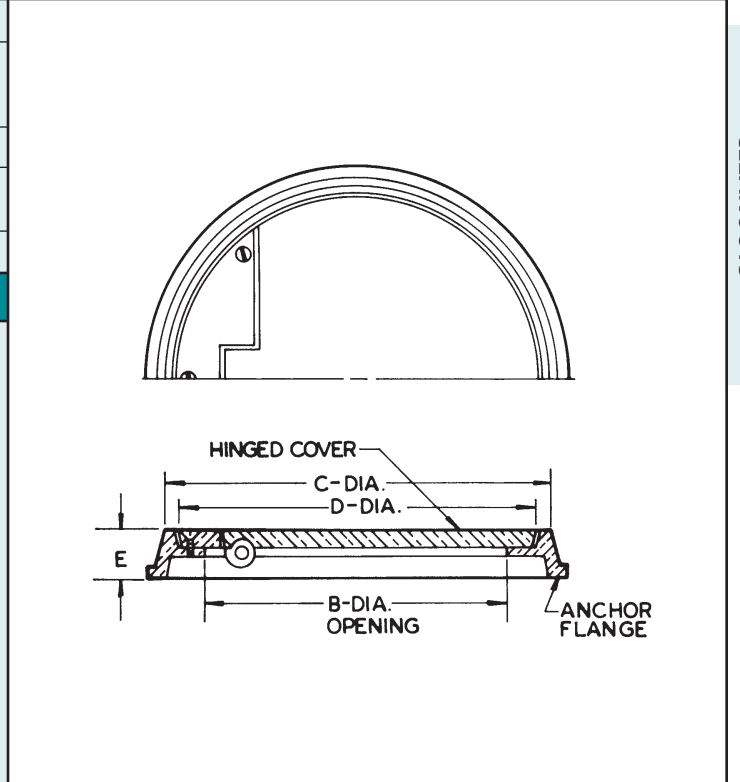
SPECIFICATION

JOSAM 58620 Series round cast Nikaloy Access Frame with anchor flange and satin smooth hinged cover.

Available Options

- | | |
|--|-----------------------------------|
| -2 Satin Finish Bronze Top | -C06 No-Hub Cleanout, 6" |
| -10 Scoriated Cover | -20 ** Raised Head Bronze Plug |
| -14 Carpet Cleanout Marker | -31 ** Galvanized Cast Iron Parts |
| -VP Secured Cover, Vandal-Proof Screws | -COT2 No-Hub Cleanout Tee, 2" |
| -C02 No-Hub Cleanout, 2" | -COT3 No-Hub Cleanout Tee, 3" |
| -C03 No-Hub Cleanout, 3" | -COT4 No-Hub Cleanout Tee, 4" |
| -C04 No-Hub Cleanout, 4" | -COT6 No-Hub Cleanout Tee, 6" |

** Specify -CO or -COT



TYPE NO.	PIPE SIZE	B	C	D	E	LBS.
58624	2,3,4	5-3/8	6-5/8	6-1/4	3/4	5
58626	5,6	6-7/8	8-3/8	8	1	7

58630 SERIES WALL OR FLOOR ACCESS COVER

APPLICATION

For use in finished walls or floors subject to pedestrian or light wheel traffic, to provide access to cleanout plugs, valves, controls or other equipment where a square cover complements construction or finish. Hinged cover allows for easy access.

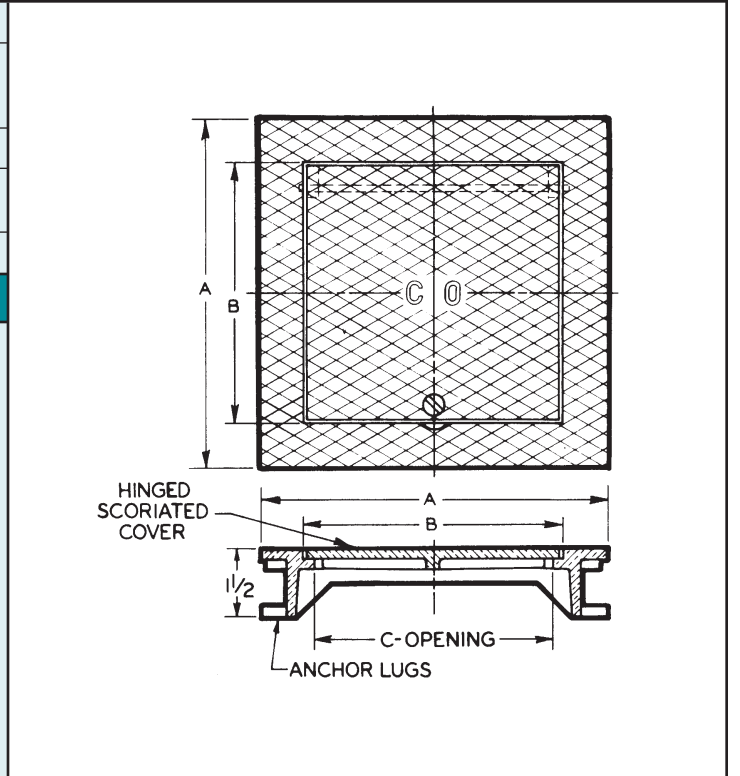
SPECIFICATION

JOSAM 58630 Series square cast Nikaloy Access Frame with anchor lugs and satin scoriated secured hinged cover.

Available Options

- | | |
|--|-----------------------------------|
| -2 Satin Finish Bronze Top | -20 ** Raised Head Bronze Plug |
| -VP Secured Cover, Vandal-Proof Screws | -31 ** Galvanized Cast Iron Parts |
| -C02 No-Hub Cleanout, 2" | -COT2 No-Hub Cleanout Tee, 2" |
| -C03 No-Hub Cleanout, 3" | -COT3 No-Hub Cleanout Tee, 3" |
| -C04 No-Hub Cleanout, 4" | -COT4 No-Hub Cleanout Tee, 4" |
| -C06 No-Hub Cleanout, 6" | -COT6 No-Hub Cleanout Tee, 6" |

** Specify -CO or -COT



TYPE NO.	A X A	B X B	C	LBS.
58631	8 x 8	6x 6	5-1/2	7
58632	12 x 12	10 x 10	9-1/2	15

58640 SERIES

WALL OR FLOOR ACCESS COVER

APPLICATION

For use in finished walls or floors subject to pedestrian or light wheel traffic, to provide access to cleanout plugs, valves, controls or other equipment where a square cover complements construction or finish.

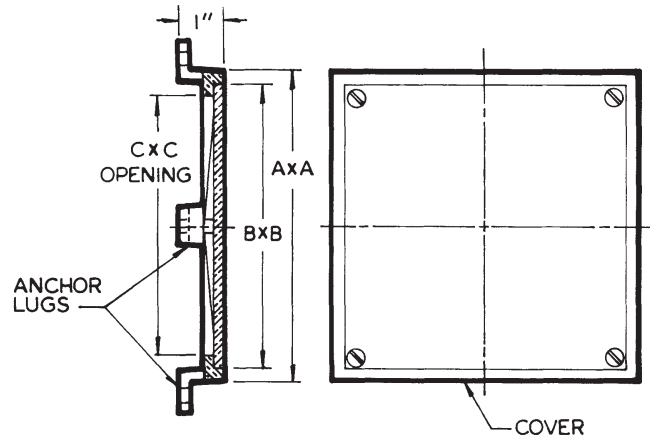
SPECIFICATION

JOSAM 58640 Series square cast Nikaloy Access Frame with anchor lugs and satin smooth secured cover.

Available Options

-2	Satin Finish Bronze Top	-C06	No-Hub Cleanout, 6"
-10	Scoriated Cover	-20	** Raised Head Bronze Plug
-VP	Secured Cover, Vandal-Proof Screws	-31	** Galvanized Cast Iron Parts
-CO2	No-Hub Cleanout, 2"	-COT2	No-Hub Cleanout Tee, 2"
-CO3	No-Hub Cleanout, 3"	-COT3	No-Hub Cleanout Tee, 3"
-CO4	No-Hub Cleanout, 4"	-COT4	No-Hub Cleanout Tee, 4"
		-COT6	No-Hub Cleanout Tee, 6"

** Specify -CO or -COT



TYPE NO.	A X A	B X B	C X C	LBS.
58642	7 x 7	6-1/2 x 6-1/2	6 x 6	5
58644	9 x 9	8-1/2 x 8-1/2	8 x 8	8
58646	10 x 10	9-1/2 x 9-1/2	9 x 9	10

58650 SERIES

WALL ACCESS COVER

APPLICATION

For use in finished walls to provide access to cleanout plugs, valves, controls or other equipment where a square cover, flush-with-wall, complements construction or finish.

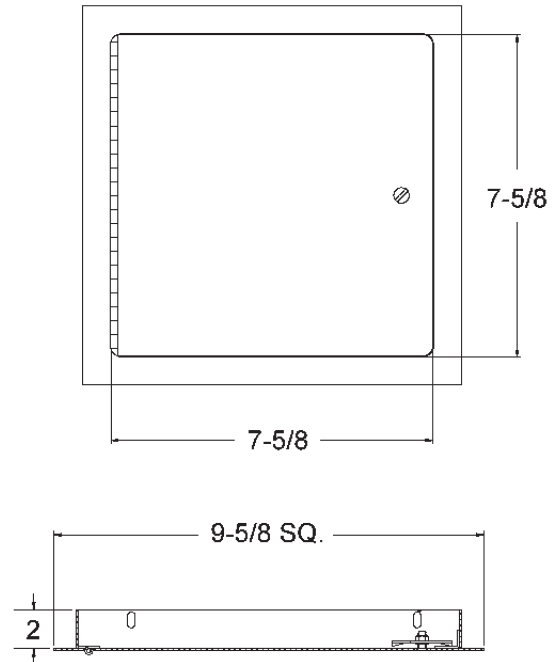
SPECIFICATION

JOSAM 58650 Series square stainless steel Access Frame with beveled edge, anchor lugs and smooth, secured cover.

Available Options

-VP	Secured Cover, Vandal-Proof Screws	-20	** Raised Head Bronze Plug
		-31	** Galvanized Cast Iron Parts
-CO2	No-Hub Cleanout, 2"	-COT2	No-Hub Cleanout Tee, 2"
-CO3	No-Hub Cleanout, 3"	-COT3	No-Hub Cleanout Tee, 3"
-CO4	No-Hub Cleanout, 4"	-COT4	No-Hub Cleanout Tee, 4"
-CO6	No-Hub Cleanout, 6"	-COT6	No-Hub Cleanout Tee, 6"

** Specify -CO or -COT



TYPE NO.	LBS.
58656	4

58680 SERIES ACCESS COVER

APPLICATION

For use in finished or unfinished floors, inside or outdoors, subject to heavy wheel traffic, such as parking lots, warehouses or industrial areas. To provide access to cleanout plugs, valves, controls or other equipment.

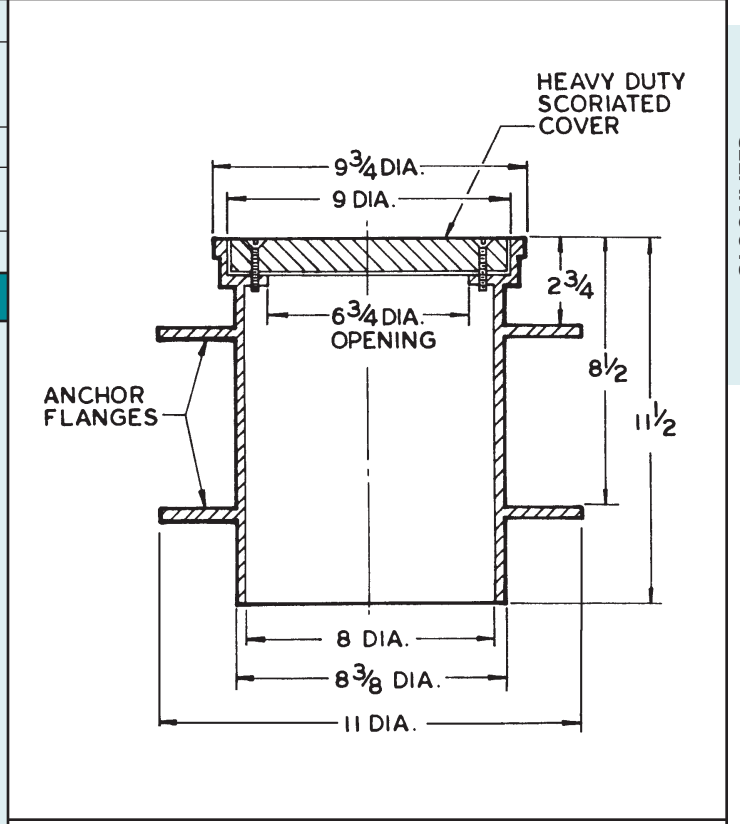
SPECIFICATION

JOSAM 58680 Series round coated cast iron Access Frame with anchor flanges and heavy-duty scoriated secured cover.

Available Options

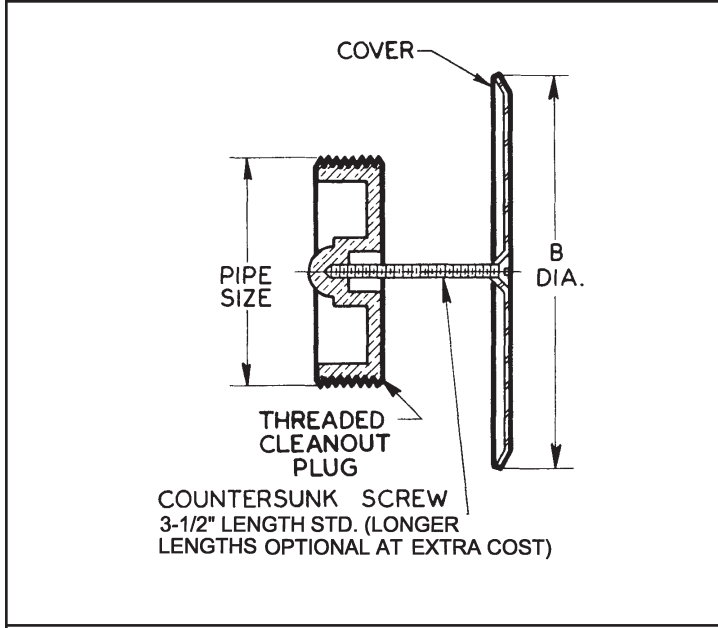
- 5 Ductile Iron Cover
- VP Secured Cover, Vandal-Proof Screws
- 26 Gasketed Cover
- 31 Galvanized Cast Iron Parts
- CO2 No-Hub Cleanout, 2"
- CO3 No-Hub Cleanout, 3"
- CO4 No-Hub Cleanout, 4"
- CO6 No-Hub Cleanout, 6"
- 20 Raised Head Bronze Plug

Special Wording on Cover, SAN. or STORM, (Specify On Order)



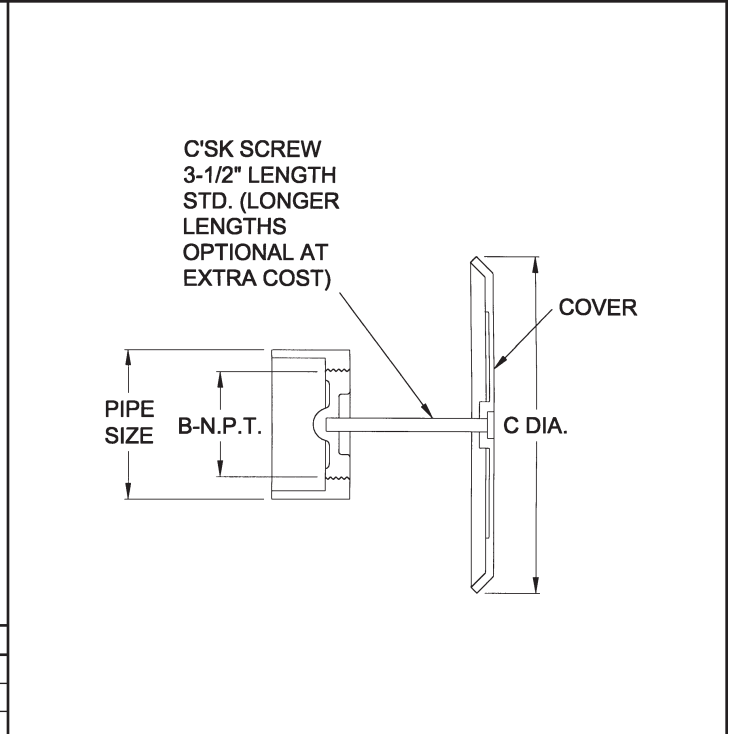
TYPE NO.	LBS.
58680	37

58600-PLG SERIES



TYPE NO	PIPE SIZE	B	LBS.
58604-PLG1-1/2	1-1/2	5-3/8	1
58604-PLG2	2	5-3/8	1
58604-PLG2-1/2	2-1/2	5-3/8	1
58604-PLG3	3	5-3/8	1
58604-PLG3-1/2	3-1/2	5-3/8	1
58606-PLG4	4	7-5/8	2
58606-PLG5	5	7-5/8	3
58606-PLG6	6	7-5/8	4

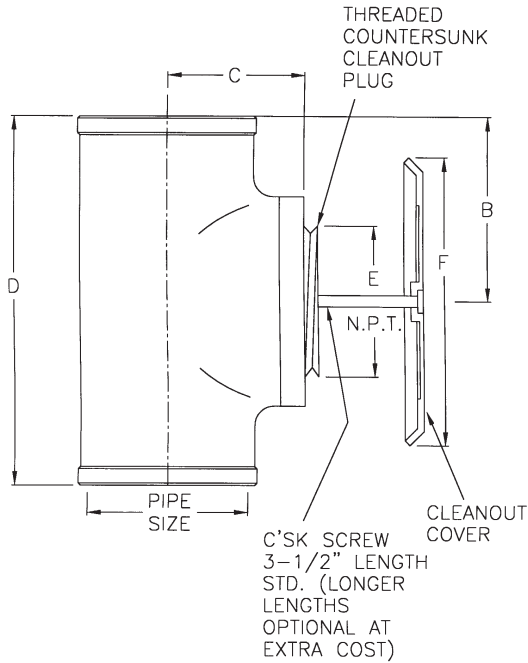
58600-CO SERIES



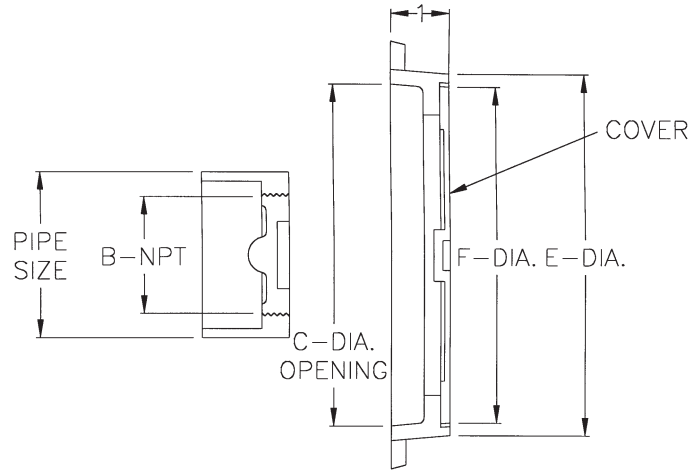
TYPE NO.	PIPE SIZE	B	C	LBS.
58604-CO2	2	1-1/2	5-3/8	6
58604-CO3	3	2-1/2	5-3/8	7
58604-CO4	4	3-1/2	5-3/8	9
58606-CO6	6	5-1/2	7-5/8	26

CLEANOUTS

58600-COT SERIES



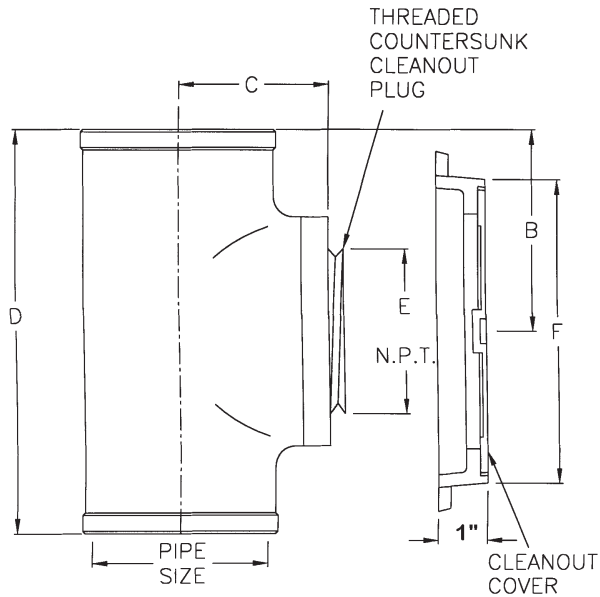
58610-CO SERIES



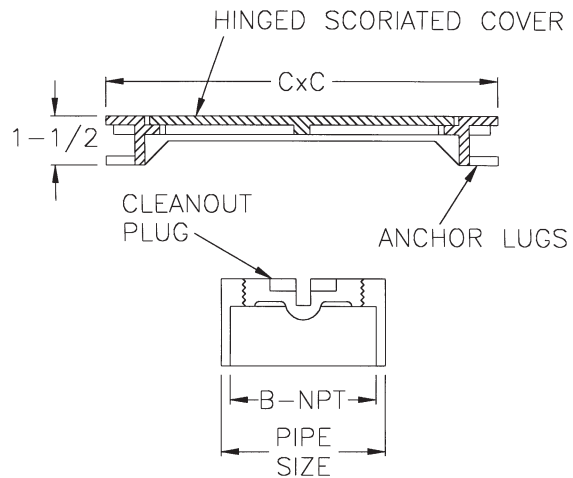
TYPE NO.	PIPE SIZE	B	C	D	E	F	LBS.
58604-COT2	2	4-1/4	1-3/4	6-3/8	2	5-3/8	11
58604-COT3	3	5-1/4	2-1/2	7-3/4	3	5-3/8	14
58604-COT4	4	6	3-1/2	8-7/8	4	5-3/8	20
58608-COT6	6	7	4-1/2	12-1/2	6	10-5/8	34

TYPE NO.	PIPE SIZE	B	C	E	F	LBS.
58614-CO2	2	1-1/2	4-5/8	6	5-1/2	6
58614-CO3	3	2-1/2	4-5/8	6	5-1/2	7
58614-CO4	4	3-1/2	4-5/8	6	5-1/2	9
58616-CO6	6	5-1/2	6-3/4	8-1/4	7-3/4	15

58610-COT SERIES



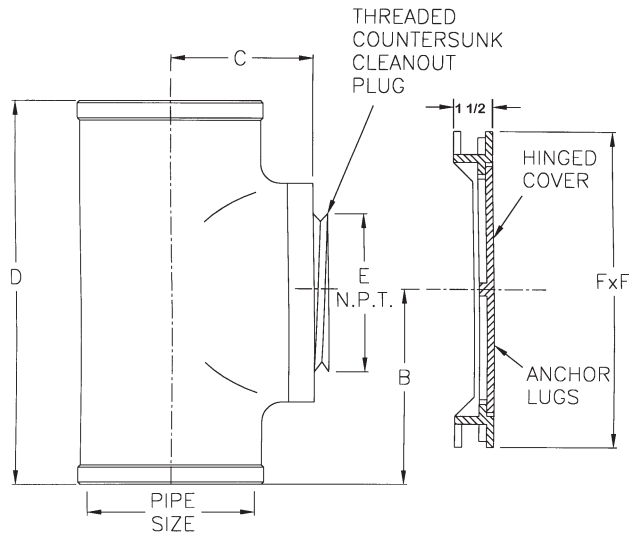
58630-CO SERIES



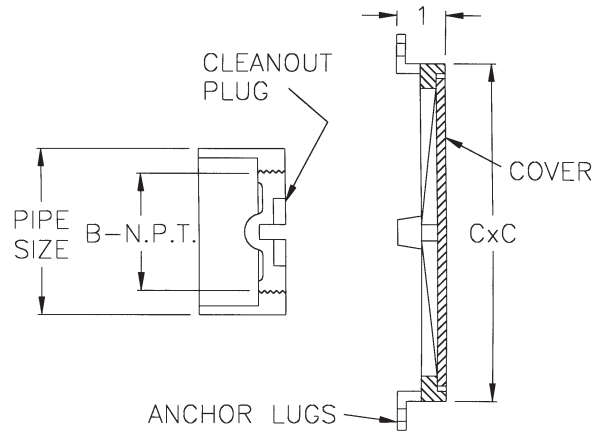
TYPE NO.	PIPE SIZE	B	C	D	E	F	LBS.
58614-COT2	2	4-1/4	1-3/4	6-3/8	2	6	13
58614-COT3	3	5-1/4	3-1/2	7-3/4	3	6	16
58614-COT4	4	6	3-1/2	8-7/8	4	6	22
58616-COT6	6	7	4-1/2	12-1/2	6	8-1/4	37

TYPE NO.	PIPE SIZE	B	C X C	LBS.
58631-CO2	2	1-1/2	8 x 8	9
58631-CO3	3	2-1/2	8 x 8	9
58631-CO4	4	3-1/2	8 x 8	11
58632-CO6	6	5-1/2	12 x 12	20

58630-COT SERIES



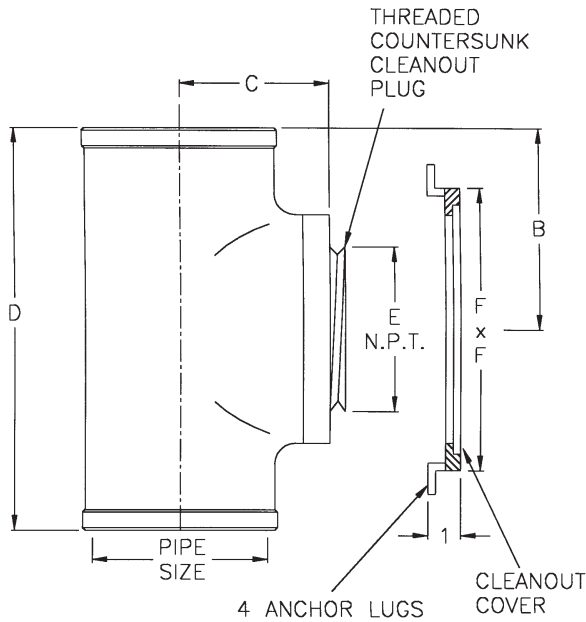
58640-CO SERIES



TYPE NO.	PIPE SIZE	B	C	D	E	F X F	LBS.
58631-COT2	2	4-1/4	1-3/4	6-3/8	2	8 x 8	16
58631-COT3	3	5-1/4	2-1/2	7-3/4	3	8 x 8	19
58631-COT4	4	6	3-1/2	8-7/8	4	8 x 8	25
58632-COT6	6	7	4-1/2	12-1/2	6	12 x 12	42

TYPE NO.	PIPE SIZE	B	C X C	LBS.
58642-CO2	2	1-1/2	7 x 7	7
58642-CO3	3	2-1/2	7 x 7	8
58642-CO4	4	3-1/2	7 x 7	10
58644-CO6	6	5-1/2	9 x 9	16

58640-COT SERIES



TYPE NO.	PIPE SIZE	B	C	D	E	F X F	LBS.
58642-COT2	2	4-1/4	1-3/4	6-3/8	2	7 x 7	14
58642-COT3	3	5-1/4	2-1/2	7-3/4	3	7 x 7	17
58642-COT4	4	6	3-1/2	8-7/8	4	7 x 7	23
58644-COT6	6	7	4-1/2	12-1/2	6	9 x 9	38

58900 SERIES

NO-HUB CLEANOUT FERRULE

APPLICATION

For use in unfinished areas not subject to traffic.

SPECIFICATION

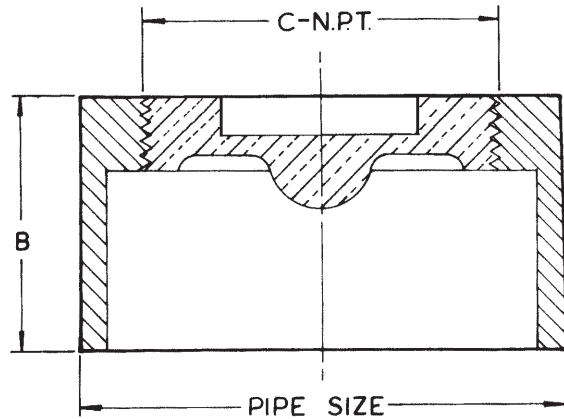
JOSAM 58900 Series coated cast iron Cleanout Ferrule with no-hub connection and bronze countersunk plug.

Available Options

- 19 Plug Tapped for Center Screw
- 20 Raised Head Bronze Plug
- 31 Galvanized Cast Iron Parts

OUTLET:

- Z No-Hub Outlet



FOR OUTLET TYPE SPECIFY -Z

TYPE NO.	PIPE SIZE	B	C	LBS.
58902	2	1-3/4	1-1/2	2
58903	3	1-3/4	2-1/2	2
58904	4	1-3/4	3-1/2	3
58906	6	3-3/4	5	7

58910 SERIES

NO-HUB CLEANOUT TEE WITH PLUG

APPLICATION

For use in concealed walls with no-hub pipe.

SPECIFICATION

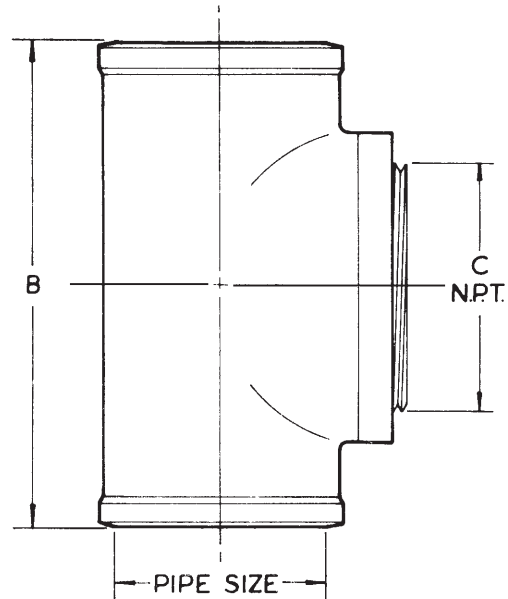
JOSAM 58910 Series coated cast iron Cleanout Tee, no-hub connection and bronze plug.

Available Options

- 19 Plug Tapped for Center Screw
- 20 Raised Head Bronze Plug
- 31 Galvanized Cast Iron Parts

OUTLET:

- Z No-Hub Outlet



FOR OUTLET TYPE SPECIFY -Z

TYPE NO.	PIPE SIZE	B	C	LBS.
58912	2	6-3/8	2	5
58913	3	7-3/4	3	8
58914	4	8-7/8	4	12
58916	6	12-1/2	6	20