

MISCELLANEOUS PRODUCTS

85220
Pit Drain, Threaded Side Outlet



Page 258

85800
12-3/4" x 7-1/2" Top, Threaded Outlet



Page 258

85810
12-7/8" x 5-3/8" Top, Inside Caulk Outlet



Page 259

85903-Z
Light Traffic Drain, No-Hub Outlet



Page 259

P-TRAPS

88100
Spigot Connections



Page 260

88210
Funnel Inlet, Side Outlet
Threaded Connection



Page 260

TRAP SEAL PRIMERS

88250
Primer Valve, Vacuum Breaker,
Gasketed Cover



Page 261

88300
Trap Primer & Distribution Unit



Page 261

ADAPTERS

88400
No-Hub Spigot Adapter



Page 262

88450
Trap Primer Adapter



Page 262

88550
Hub Adapter, Female Threaded Outlet



Page 263

88560 **88600**
Hub Adapter Reducing Hub
Male Threaded Outlet



Pages 263, 264

AIR GAPS

88900
Threaded Inlet, XH Spigot Outlet



Page 264

88910
Female Threaded Inlet & Outlet



Page 265

FRESH AIR INLETS

88950
Perforated Grille



Page 265

88970
Convex Grille



Page 266

85220 SERIES

5" X 7" 90° ANGLE STRAINER

APPLICATION

Threaded side outlet drain for use at the base of walls in pits or pools, where elevation is limited. Angle grate provides ample drainage and is slotted to prevent entrance of debris.

SPECIFICATION

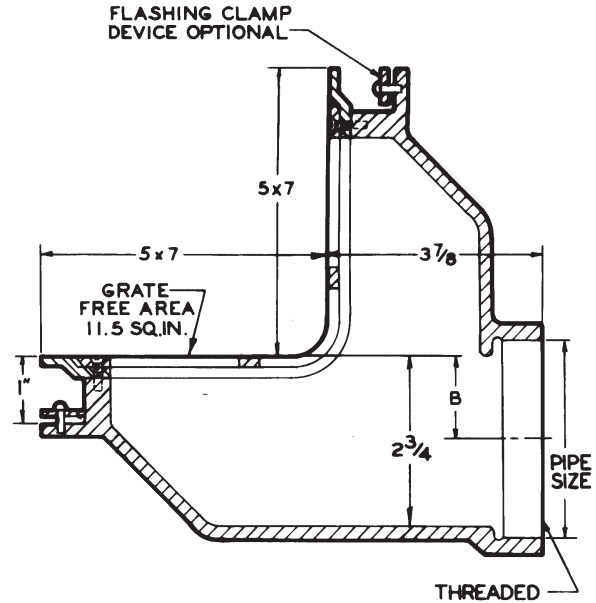
JOSAM 85220 Series coated cast iron 5" x 7" 90° angle Swimming Pool and Pit Drain with anchor flange, secured bar type angle grate with frame and side outlet threaded connection.

Available Options

- 3 Chrome Plated Bronze Face
- VP Secured Face, Vandal-Proof Screws
- 41 Clamp Device
- 42 Ground Screw
- 47 Galvanized Cast Iron Parts

OUTLET:

- T Threaded Outlet



FOR OUTLET TYPE SPECIFY -T

TYPE NO.	PIPE SIZE	B	LBS.
85222	2	1-3/4	18
85223	3	1-1/4	18
85224	4	3/4	18

85800 SERIES

RECTANGULAR PATTERN

APPLICATION

For use in non-traffic areas where space is limited such as in trenches, under counters or against walls or in locations requiring narrow drains with ample free drainage.

SPECIFICATION

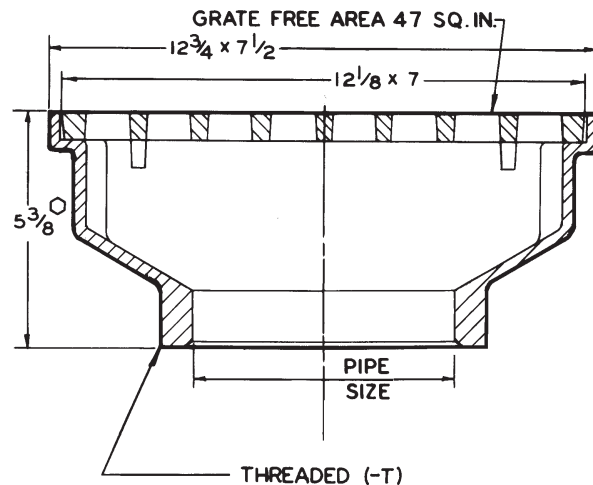
JOSAM 85800 Series coated cast iron 12-3/4" x 7-1/2" drain, loose-set anti-tilting grate and bottom outlet threaded connection.

Available Options

- 1 Satin Finish Nikaloy Top
- 2 Satin Finish Bronze Top
- 3 Chrome Plated Bronze Top
- VP Secured Grate, Vandal-Proof Screws
- 42 Grounding Screw
- 47 Galvanized Cast Iron Parts

OUTLET:

- T Threaded Outlet



○ ADD 1/4" FOR NIKALOY OR BRONZE TOP.

FOR OUTLET TYPE SPECIFY -T

TYPE NO.	PIPE SIZE	LBS.
85804	4	29
85805	5	29
85806	6	29

85810 SERIES RECTANGULAR PATTERN

APPLICATION

For use in non-traffic areas where space is limited such as in trenches, under counters or against walls, in locations requiring narrow drains with ample free drainage.

SPECIFICATION

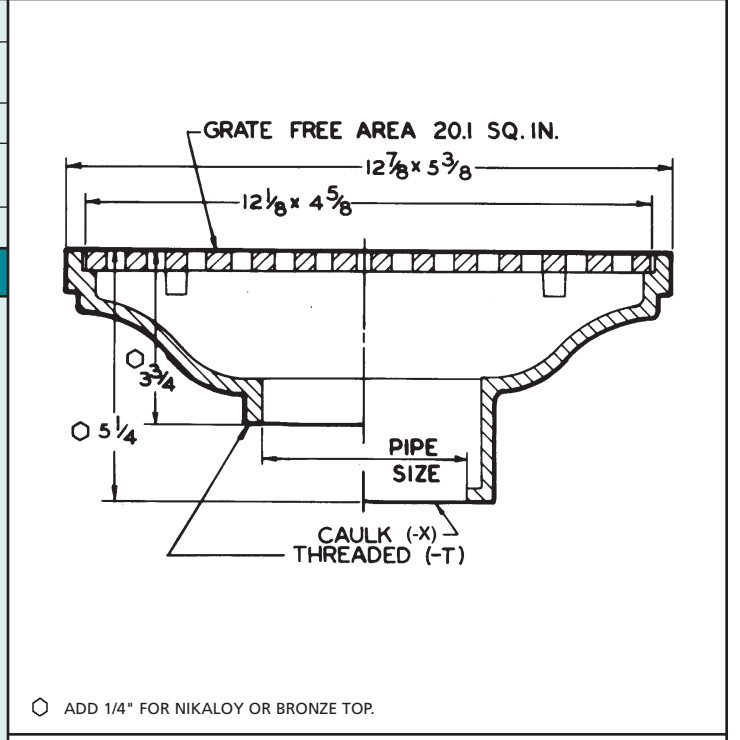
JOSAM 85810 Series coated cast iron 12-7/8" x 5-3/8" Drain, loose-set anti-tilting grate and bottom outlet.

Available Options

- 1 Satin Finish Nikaloy Top
- 2 Satin Finish Bronze Top
- 3 Chrome Plated Bronze Top
- VP Secured Grate, Vandal-Proof Screws
- 42 Grounding Screw
- 47 Galvanized Cast Iron Parts

OUTLETS:

- T Threaded Outlet
- X Inside Caulk Outlet



FOR OUTLET TYPE SPECIFY -T or -X,

TYPE NO.	PIPE SIZE	LBS.
85812	2	18
85813	3	18
85814	4	18

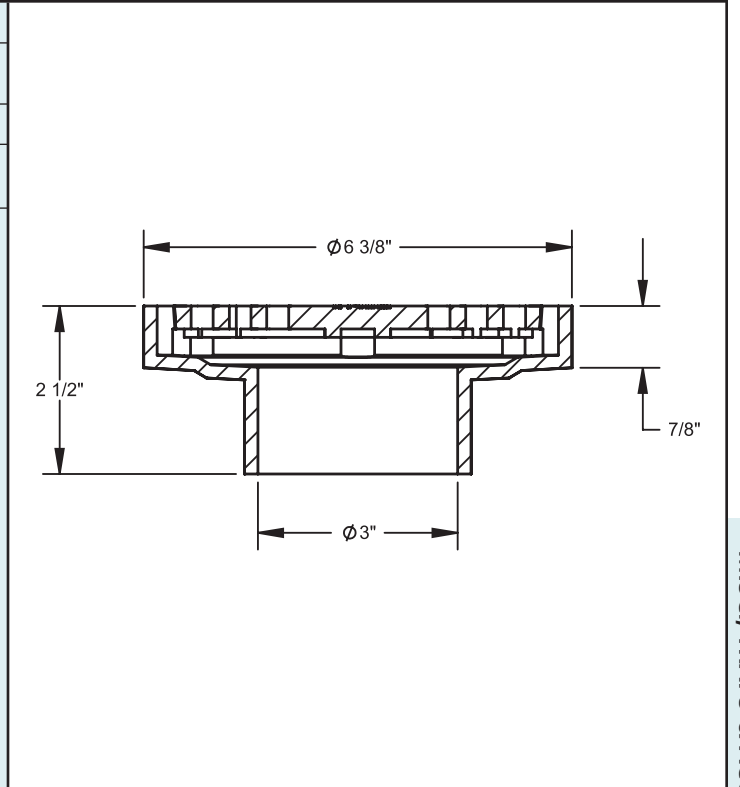
85903-Z SERIES CAST IRON DRAIN

APPLICATION

For use in light traffic areas such as boiler rooms or mechanical rooms where a waterproofing membrane is not utilized.

SPECIFICATION

JOSAM 85903-Z Series coated cast iron drain with no-hub connection and medium-duty secured grate.



TYPE NO.	PIPE SIZE	LBS.
85903-Z	3	4