

STAINLESS STEEL PRODUCTS

Stainless Steel Product Features

Universal

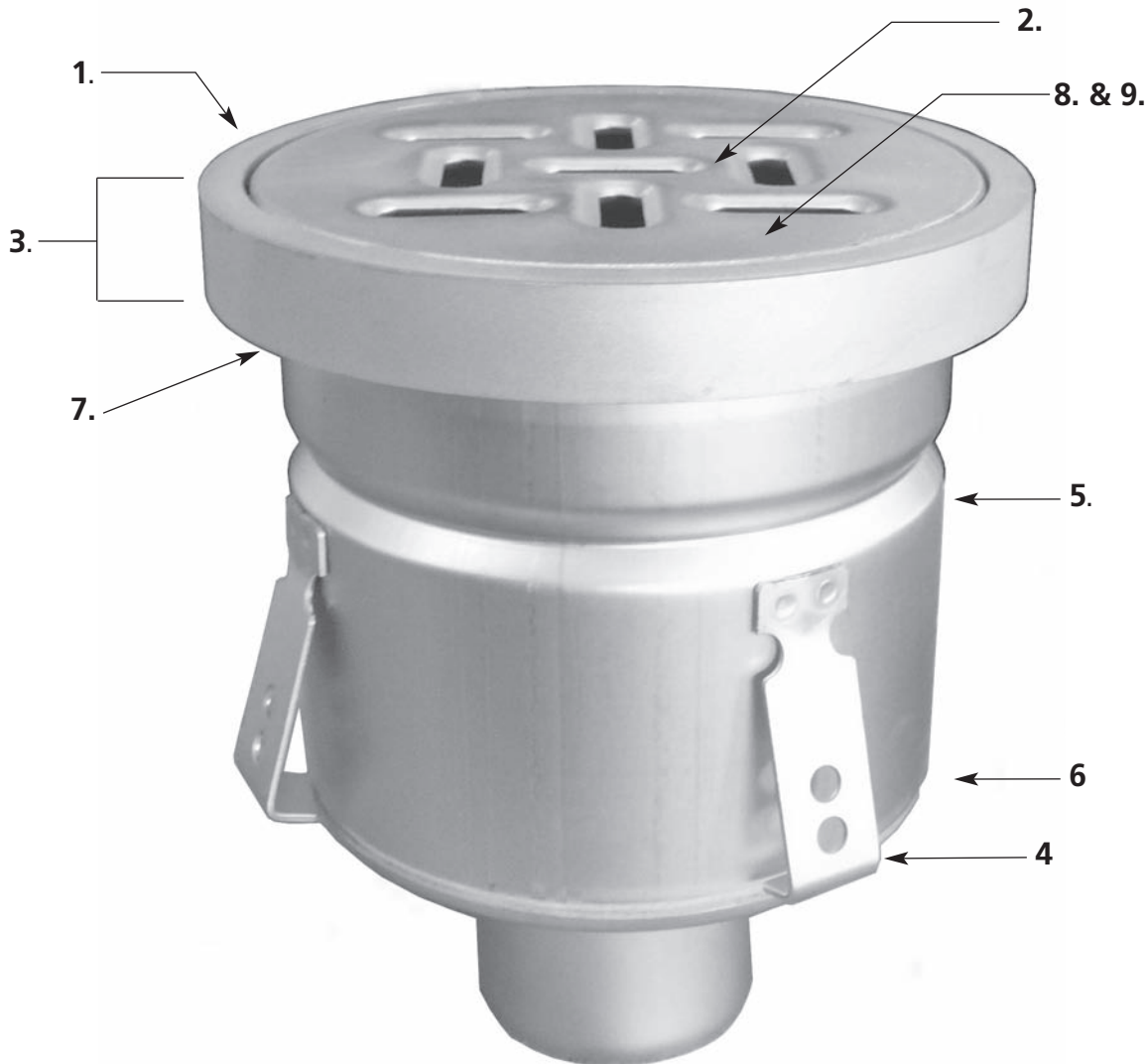
1. Suitable solutions for concrete floors with or without tile, flexible sheet flooring, circular frame profiles and epoxy/composite floors.
2. Wide range of hygienic stainless steel gratings suited for any load class.
3. 0.787 inch frame height suitable for all types of tiled floors.
4. Concrete anchor tabs assist in leveling and ensure a secure concrete installation.

Excellent Hygienic Properties

5. Designed without corners or cavities inside, thus preventing bacteria growth.
6. Smooth surface finish without burrs or sharp edges.
7. For optimum strength and hygiene the underside of our square frame is reinforced with synthetic resin infill. Round frames are solid.

Filter Basket and Sediment Bucket

8. Both have swing lift handles and can be removed for cleaning without touching the dirt in the bottom.
9. Most drains can include both a water trap and filter basket.



Water Trap Design

10. Excellent self-cleaning properties.
11. Small water surface minimizes bacterial growth.
12. Easily removed for cleaning.

FLOOR DRAINS

30000-A-SS-T
Adj. Floor Drain
with Round Strainer



Page 151

30000-S-SS-T
Adj. Floor Drain
with Square Strainer



Page 151

32100-SS-AE
9" Top, Adj. Extension



Page 152

32100-SS-AE-81
9" Top, Adj. Extension & Bucket



Page 152

32200-SS
12-1/4" Top



Page 153

SQUARE FLOOR SINKS

40300
8" Top, 6" Deep



Page 154

40320
12" Top, 6" Deep



Page 154

40340
12" Top, 8" Deep



Page 155

KETTLE DRAIN

40460
20" Top, 6" Deep



Page 155

ROUND FLOOR SINKS

40520
8" Top, 6" Deep



Page 156

40580
12" Top, 8" Deep



Page 156

CLEANOUT

56670-SS
Spanner-Type Cleanout



Page 157

STAINLESS STEEL PRODUCTS

Josam Company manufactures a complete line of cast and fabricated stainless steel floor drains and cleanouts. Stainless steel is a sanitary, durable, corrosion-resistant, long-lasting material ideally suited for building applications designed for a life expectancy in excess of fifty years. All stainless steels have inherent corrosion resistance, but the austenitic groups of stainless steels have greater resistance. Josam products are manufactured from high-grade austenitic stainless steel in grades 304, suitable for most environments such as food service, health care, pharmaceutical and power generating plants and 316L, suitable for more corrosive environments commonly found in laboratories. Josam cast stainless steel products meet the requirements of ASTM A-351-Grade CF8 and Josam fabricated stainless steel products meet the requirements of ASME A-112.3.1-93.

STAINLESS STEEL ACID RESISTANCE CHART (ROOM TEMPERATURE ASSUMED. DATA SHOULD BE USED AS A GUIDE ONLY.)

Chemical	316L	304	Chemical	316L	304
Acetic Acid, 100%	A	A	Lead acetate	A	A
Acetic Acid, (dilute) 50%	A	A	Magnesium chloride	B	B
Acetic anhydride	A	A	Magnesium sulfate	A	A
Acetone	A	A	Mercury	A	A
Aluminum chloride	F	F	Methanol	A	A
Aluminum sulfate	A	F	Methyl chloride	A	A
Ammonium carbonate	A	A	Methylene chloride	B	B
Ammonium chloride	B	B	Natphtalene	A	A
Ammonium fluoride	A	A	Nickel chloride	B	B
Ammonium hydroxide	A	A	Nickel sulfate	A	A
Amyl chloride	A	A	Nitric acid	C	C
Aniline	A	A	Oxalic acid	C	C
Aniline hydrochloride	F	F	Perchloric acid	F	F
Barium chloride	B	B	Phosphoric acid	A	A
Barium hydroxide	A	A	Picric acid	A	A
Benzalhide	A	A	Potassium bromide	A	A
Benzene	A	A	Potassium carbonate	A	A
Benzoic acid	A	A	Potassium chlorate	A	A
Borax	A	A	Potassium chloride	B	B
Boric acid	A	A	Potassium cyanide	A	A
Bromine	F	F	Potassium hydroxide	A	A
Butane	A	A	Potassium nitrate	A	A
Butyl acetate	A	A	Potassium permaganate	A	A
Butyric acid	A	A	Potassium sulfate	A	A
Calcium bisulfate	A	A	Potassium sulfide	A	A
Calcium chloride	B	B	Propylene dichloride	A	A
Calcium hydroxide	A	A	Silver nitrate	A	A
Calcium hypochlorite	B	C	Sodium acetate	A	A
Carbon disulfide	A	A	Sodium bicarbonate	A	A
Carbon tetrachloride	A	A	Sodium bisulfate	A	C
Chloroacetic acid (mono)	F	F	Sodium bisulfite	A	A
Chloril acid	F	F	Sodium bromide	B	B
Chlorine (dry)	A	A	Sodium carbonate	A	A
Chlorobenzene	A	A	Sodium chlorate	A	A
Chloroform	B	B	Sodium cyanide	A	A
Chlorosulfonic acid	B	C	Sodium fluoride	A	A
Copper chloride	B	B	Sodium hydroxide	A	A
Copper nitrate	A	A	Sodium hypochlorite	F	F
Copper sulfate	A	A	Sodium nitrate	A	A
Ether	A	A	Sodium sulfate	A	A
Ethylene bromide	A	A	Sodium sulfide	A	A
Ethyl chloride	A	A	Sodium sulfite	A	A
Ethylene chloride	A	A	Standus chloride	B	C
Fatty acids	A	A	Sulfur	A	A
Fluorine	A	A	Sulfur chloride	A	A
Formaldehyde	A	A	Sulfur dioxide	A	B
Formic acid	A	A	Sulfuric acid	F	F
Furfural	A	A	Sulfurous acid	A	C
Gallic acid	A	A	Thionyl chloride	A	A
Hydro bromic acid	F	F	Toluene	A	A
Hydro chloric acid	F	F	Trichloroethylene	A	A
Hydrofluoric acid	F	F	Turpentine	A	A
Hydrogen peroxide	A	A	Xylene	A	A
Iodine wet	F	F	Zinc sulfate	A	A

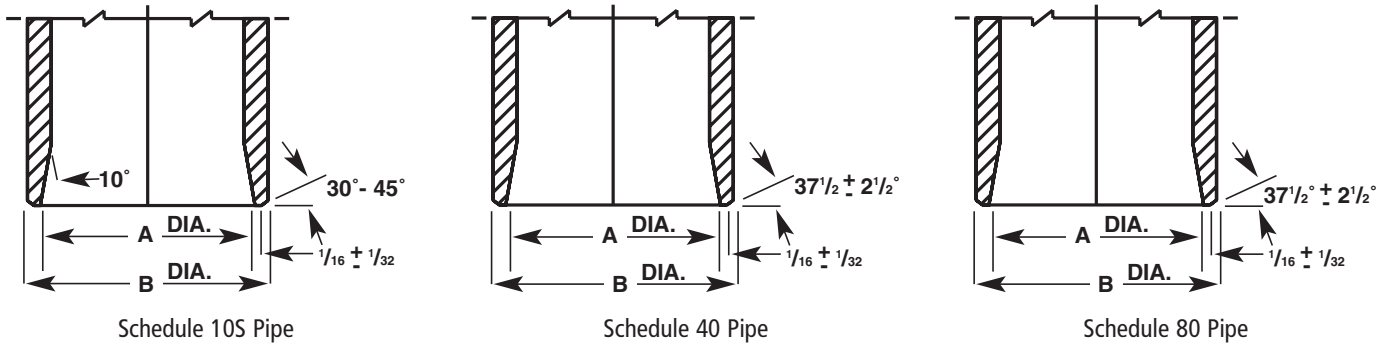
STAINLESS STEEL

Note: Temperature concentration levels and duration of contact have a direct affect on the resistance of stainless steel to certain chemicals. Flushing small amounts of corrosive chemicals with adequate amounts of water will improve the resistance of stainless steel corrosion from harmful chemicals. Each application should be carefully reviewed to determine the suitability of stainless steel for the project conditions.

STAINLESS STEEL PRODUCTS

Cast Stainless Steel Butt-Weld Outlet Connection Data

Josam cast stainless steel drains and cleanouts are regularly furnished with Schedule 40S butt-weld outlet connections. Butt-weld outlet connections can also be furnished in Schedule 10S and 80S as specified.



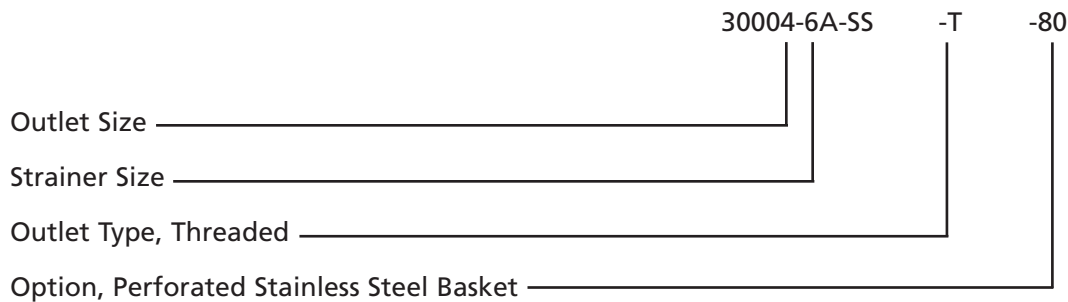
PIPE SCHEDULE	PIPE SIZE 2"	PIPE SIZE 2"	PIPE SIZE 3"	PIPE SIZE 3"	PIPE SIZE 4"	PIPE SIZE 4"	PIPE SIZE 6"	PIPE SIZE 6"	PIPE SIZE 8"	PIPE SIZE 8"
Dimension	A	B	A	B	A	B	A	B	A	B
10S	2.157	2.375	3.260	3.500	4.260	4.500	6.357	6.625	8.329	8.625
40S	2.067	2.375	3.068	3.500	4.026	4.500	6.065	6.625	7.981	8.625
80S	1.939	2.375	2.900	3.500	3.826	4.500	5.761	6.625	7.625	8.625

How To Order Stainless Steel Products

Unless optional materials are specified, standard material shown in Specification will be provided.

EXAMPLE: Series No. 30000-A-SS-T

Type No. 30004-6A-SS-T



30000-A-SS-T SERIES ADJUSTABLE FLOOR DRAIN WITH ROUND STRAINER

APPLICATION

For use in corrosive environments in finished floor areas with pedestrian traffic, such as toilet or shower rooms. Wide flange anchors drain body in concrete and works in conjunction with the clamp collar to redirect waste through the collar's weepholes if seepage occurs around the strainer. The WEJLOC® clamp provides a non-puncturing positive bond of the waterproofing membrane to the drain body for applications where floors with standing water are to be sealed off from areas below. The collar is also invertible for extra vertical strainer adjustment to meet finished floor level.

SPECIFICATION

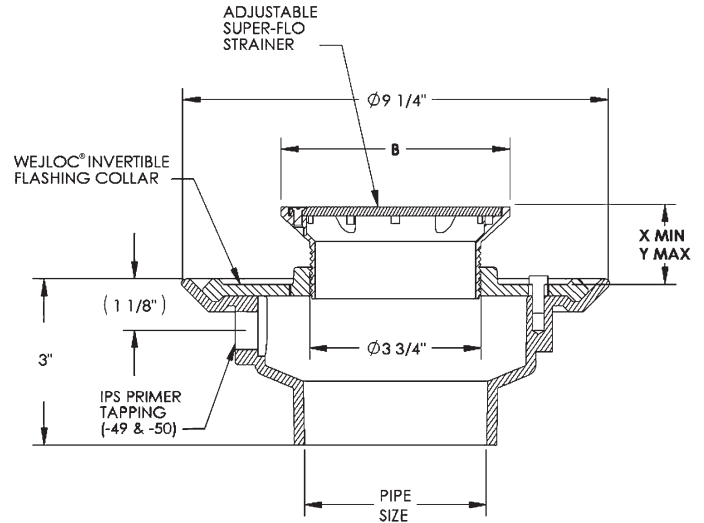
JOSAM 30000-A-SS-T Series Type 316 cast stainless steel Floor Drain, two-piece body with double drainage flange, WEJLOC® invertible flashing collar, weepholes, bottom outlet threaded connection and adjustable round SUPER-FLO® strainer.

Available Options

- VP Secured Grate, Vandal-Proof Screws
- 49 3/4" Primer Tap
- 50 1/2" Primer Tap
- 80 Perforated Stainless Steel Basket

OUTLET:

- T Threaded Outlet



TYPE NO.	PIPE SIZE	ADJUSTABLE STRAINER ADJUSTMENT			FREE AREA	LBS.†
		B	X	Y		
30002, 3, 4-5A-SS-T	2, 3, 4	5	3/4	2-1/8	7.8	14
30002, 3, 4-6A-SS-T	2, 3, 4	6	1-1/4	2-3/8	11.0	15
30002, 3, 4-7A-SS-T	2, 3, 4	7	1-1/8	2-7/8	13.2	16
30002, 3, 4-8A-SS-T	2, 3, 4	8	1-5/8	2-5/8	16.2	17

† STRAINER WITH BODY

30000-S-SS-T SERIES ADJUSTABLE FLOOR DRAIN WITH SQUARE STRAINER

APPLICATION

For use in corrosive environments in finished floor areas with pedestrian traffic, such as toilet or shower rooms. Wide flange anchors drain body in concrete and works in conjunction with the clamp collar to redirect waste through the collar's weepholes if seepage occurs around the strainer. The WEJLOC® clamp provides a non-puncturing positive bond of the waterproofing membrane to the drain body for applications where floors with standing water are to be sealed off from areas below. The collar is also invertible for extra vertical strainer adjustment to meet finished floor level.

SPECIFICATION

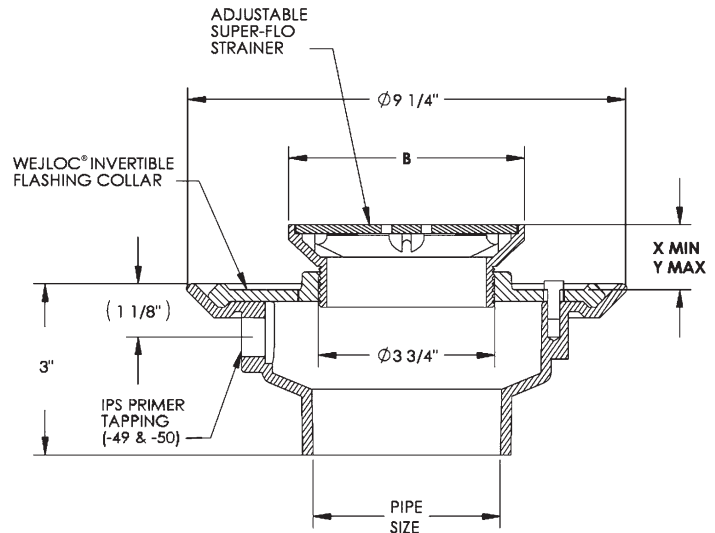
JOSAM 30000-S-SS-T Series Type 316 cast stainless steel Floor Drain, two-piece body with double drainage flange, WEJLOC® invertible flashing collar, weepholes, bottom outlet connection and adjustable square SUPER-FLO® strainer.

Available Options

- VP Secured Grate, Vandal-Proof Screws
- 49 3/4" Primer Tap
- 50 1/2" Primer Tap
- 80 Perforated Stainless Steel Basket

OUTLET:

- T Threaded Outlet



TYPE NO.	PIPE SIZE	ADJUSTABLE STRAINER ADJUSTMENT			FREE AREA	LBS.†
		B	X	Y		
30002, 3, 4-5S-SS-T	2, 3, 4	5	7/8	1-7/8	9.1	15
30002, 3, 4-6S-SS-T	2, 3, 4	6	7/8	2-1/4	13.8	16
30002, 3, 4-8S-SS-T	2, 3, 4	8	1-1/4	2-1/2	24.5	21

† STRAINER WITH BODY

32100-SS-AE SERIES

LEVELEZE® SUPER-FLO® FLOOR DRAIN

APPLICATION

For use in corrosive environments in moderate traffic areas, such as power plants, food processing plants, dairies, chemical plants, pharmaceutical research facilities or laboratories for any type of floor construction where a medium flow of liquid is anticipated. LEVELEZE® adjustable collar permits accurate positioning of grate to meet finished floor level.

SPECIFICATION

JOSAM 32100-SS-AE Series Type 316 cast stainless steel LEVELEZE® Floor Drain with double drainage flange, weepholes, round top, adjustable collar with rolled thread and loose-set anti-tilting SUPER-FLO® grate with perimeter drainage slots, bottom outlet and butt weld connection for schedule 40 pipe.

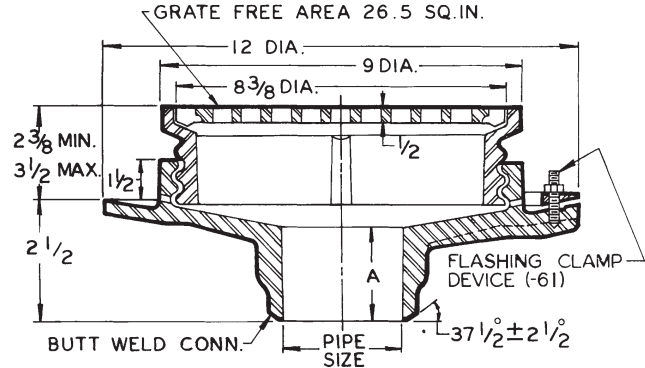
Available Options

- ▼ -81 Shallow Stainless Steel Sediment Bucket
- 1 Satin Finish Nikaloy Grate
- 8 Solid Cover
- 9 Stainless Steel Mesh Screen on Underside of Grate
- 21 4" Diameter Funnel
- 22 6" Diameter Funnel
- 23 9" x 3" Oval Funnel
- 25 Stainless Steel Recessed Closure Plug
- 26 Molded ABS Recessed Closure Plug
- 34 "T" Handle for Recessed Plug
- 61 Flashing Clamp Device

OUTLET:

- 69 Schedule 10 S Butt Weld Connection

SLOT WIDTH 15/32"



FOR OUTLET TYPE, SPECIFY BUTT WELD

TYPE NO.	PIPE SIZE	A	LBS.
32102-SS-AE	2	1-7/8	35
32103-SS-AE	3	2	36
32104-SS-AE	4	2-1/8	37

32100-SS-AE-81 SERIES

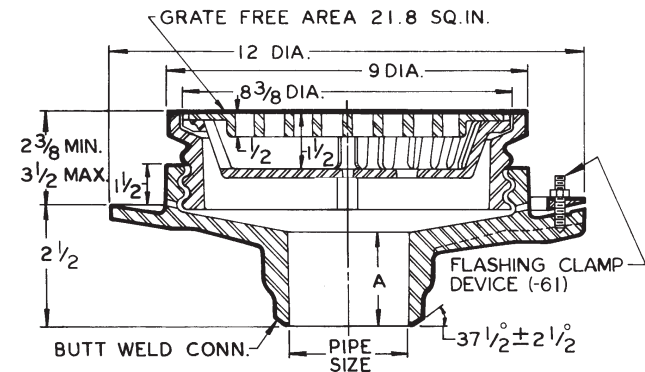
LEVELEZE® SUPER-FLO® with -81 Bucket

APPLICATION

For use in corrosive environments in moderate traffic areas, such as power plants, food processing plants, dairies, chemical plants, pharmaceutical research facilities or laboratories for any type of floor construction where a medium flow of liquid is anticipated and a bucket is necessary to collect debris, which may clog the waste line. LEVELEZE® adjustable collar permits accurate positioning of grate to meet finished floor level.

SPECIFICATION

JOSAM 32100-SS-AE-81 Series Type 316 cast stainless steel LEVELEZE® Floor Drain with double drainage flange, weepholes, round top, adjustable collar with rolled thread and loose-set anti-tilting SUPER-FLO® grate with perimeter drainage slots, shallow sediment bucket, bottom outlet and butt weld connection for schedule 40 pipe.



FOR OUTLET TYPE, SPECIFY BUTT WELD

TYPE NO.	PIPE SIZE	A	LBS.
32102-SS-AE-81	2	1-7/8	38
32103-SS-AE-81	3	2	38
32104-SS-AE-81	4	2-1/8	38

STAINLESS STEEL

32200-SS SERIES FLOOR DRAIN

APPLICATION

For use in corrosive environments in moderate to heavy traffic areas, such as power plants, food processing plants, dairies, chemical plants, pharmaceutical research facilities or laboratories for any type of floor construction where a medium to heavy flow of liquid is anticipated.

SPECIFICATION

JOSAM 32200-SS Series Type 316 cast stainless steel Floor Drain with double drainage flange, weepholes, round top, loose-set anti-tilting grate, bottom outlet, butt weld connection for schedule 40 pipe.

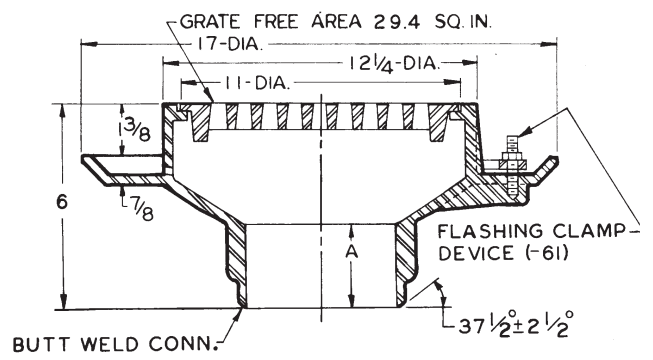
Available Options

- 8 Solid Cover
- 9 S.S. Mesh Screen on Underside of Grate
- 22 6" Diameter Funnel
- 25 Stainless Steel Recessed Closure Plug
- 26 Molded ABS Recessed Closure Plug
- 34 "T" Handle for Recessed Plug
- 61 Flashing Clamp Device

OUTLET:

- 69 Schedule 10 S Butt Weld Connection

SLOT WIDTH 1/2"



FOR OUTLET TYPE, SPECIFY BUTT WELD			
TYPE NO.	PIPE SIZE	A	LBS.
32203-SS	3	2-1/8	47
32204-SS	4	2-1/4	48
32206-SS	6	2-5/8	50

40300 SERIES

8" SQUARE TOP, 6" DEEP FLOOR SINK

APPLICATION

For use in areas where ultimate sanitation is desired, such as kitchens, hospitals and food processing plants. The square grate and 6" deep sump accept moderate flow and the dome strainer intercepts debris which could block the drain line. Anchor tabs are provided to secure body in concrete.

SPECIFICATION

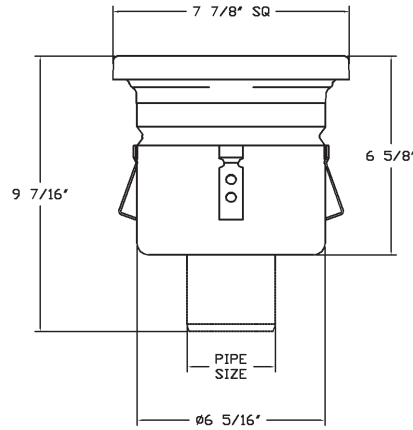
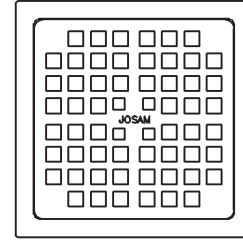
JOSAM 40300 Series square stainless steel 6" deep SUPER-FLO-SEPTOR® Floor Sink, bottom outlet, internal dome strainer and stainless steel perforated anti-tilting grate.

Available Options

- MD Mesh Grate
- PF Heavy-Duty Perimeter Drainage Grate
- XHD Bar Grate
- CG Cast Stainless Steel Grate
- B Stainless Steel Bucket
- WT with Trap

OUTLETS:

- SO Side Outlet, 4"
- Z No-Hub Spigot Outlet with Transitional Coupling



FOR OUTLET TYPE SPECIFY -Z

TYPE NO.	PIPE SIZE	LBS.
40303	3	7
40304	4	7

40320 SERIES

12" SQUARE TOP, 6" DEEP FLOOR SINK

APPLICATION

For use in areas where ultimate sanitation is desired, such as kitchens, hospitals and food processing plants. The square grate and 6" deep sump accept moderate flow and the dome strainer intercepts debris which could block the drain line. Anchor tabs are provided to secure body in concrete.

SPECIFICATION

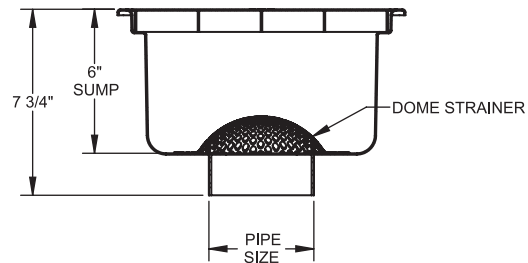
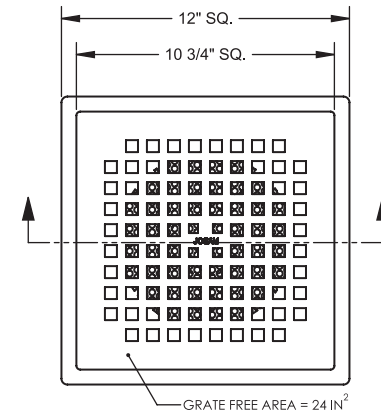
JOSAM 40320 Series square stainless steel 6" deep SUPER-FLO-SEPTOR® Floor Sink, bottom outlet, internal dome strainer and stainless steel perforated anti-tilting grate.

Available Options

- MD Mesh Grate
- PF Heavy-Duty Perimeter Drainage Grate
- XHD Bar Grate
- CG Cast Stainless Steel Grate
- B Stainless Steel Bucket
- WT with Trap

OUTLETS:

- Y Hub Outlet with Gasket
- Z No-Hub Spigot Outlet



FOR OUTLET TYPE SPECIFY -Y or -Z

TYPE NO.	PIPE SIZE	LBS.
40322	2	11
40323	3	11
40324	4	11

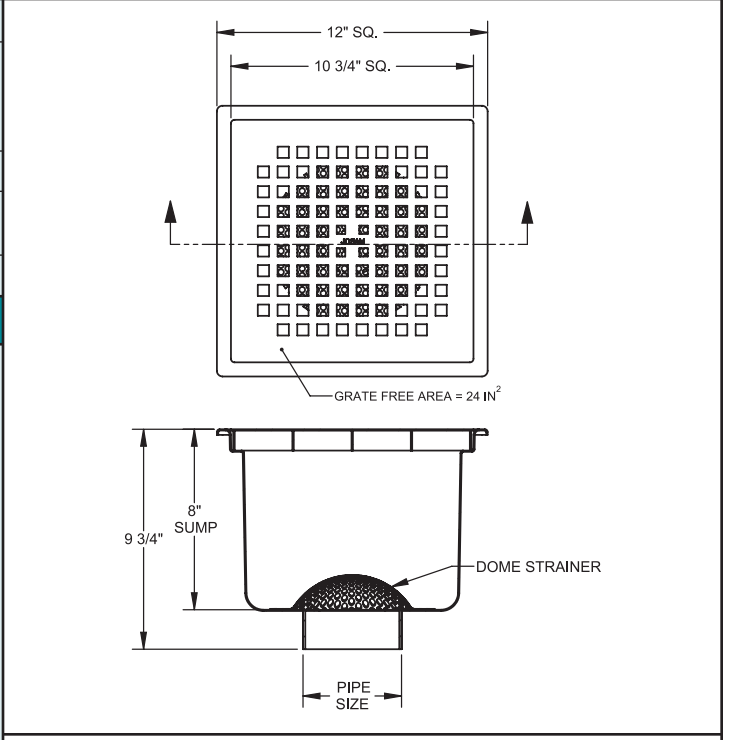
40340 SERIES 12" SQUARE TOP, 8" DEEP FLOOR SINK

APPLICATION
For use in areas where ultimate sanitation is desired, such as kitchens, hospitals and food processing plants. The square grate and 8" deep sump accept moderate flow and the dome strainer intercepts debris which could block the drain line. Anchor tabs are provided to secure body in concrete.

SPECIFICATION
JOSAM 40340 Series square stainless steel 8" deep SUPER-FLO-SEPTOR® Floor Sink, bottom outlet, internal dome strainer and stainless steel perforated anti-tilting grate.

Available Options

- MD Mesh Grate
 - PF Heavy-Duty Perimeter Drainage Grate
 - XHD Bar Grate
 - CG Cast Stainless Steel Grate
 - B Stainless Steel Bucket
 - WT with Trap
- OUTLETS:**
- Y Hub Outlet with Gasket
 - Z No-Hub Spigot Outlet



FOR OUTLET TYPE SPECIFY -Y or -Z

TYPE NO.	PIPE SIZE	LBS.
40342	2	12
40343	3	12
40344	4	12

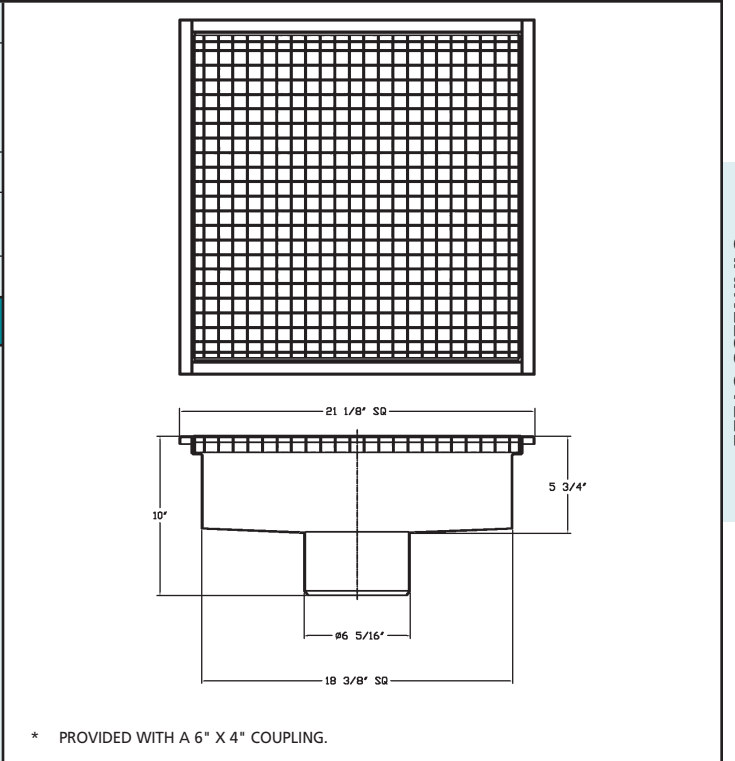
40460 SERIES 20" SQUARE TOP, 6" DEEP KETTLE DRAIN

APPLICATION
For use in areas where ultimate sanitation is desired, such as kitchens, hospitals and food processing plants. The square grate and 6" deep sump accept moderate flow and the dome strainer intercepts debris which could block the drain line. Anchor tabs are provided to secure body in concrete.

SPECIFICATION
JOSAM 40460 Series square stainless steel 6" deep Kettle Drain, bottom outlet, internal dome strainer and stainless steel mesh anti-tilting grate.

Available Options

- B Bucket
 - WT with Trap
- OUTLET:**
- Z No-Hub Spigot Outlet with Transitional Coupling



* PROVIDED WITH A 6" X 4" COUPLING.

FOR OUTLET TYPE SPECIFY -Y or -Z

TYPE NO.	PIPE SIZE	LBS.
40464	4*	12
40466	6	12

STAINLESS STEEL

40520 SERIES

8" ROUND TOP, 6" DEEP FLOOR SINK

APPLICATION

For use in areas where ultimate sanitation is desired, such as kitchens, hospitals and food processing plants. The round grate and 6" deep sump accept moderate flow and the dome strainer intercepts debris which could block the drain line. Anchor tabs are provided to secure body in concrete.

SPECIFICATION

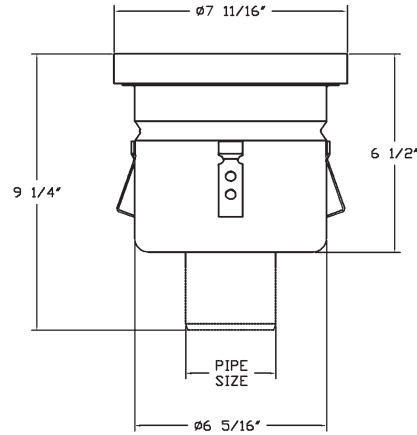
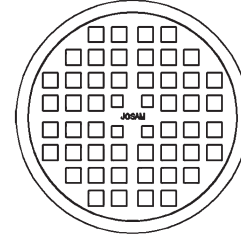
JOSAM 40520 Series round stainless steel 6" deep SUPER-FLO-SEPTOR® Floor Sink, bottom outlet, internal dome strainer and stainless steel perforated anti-tilting grate.

Available Options

- MD Mesh Grate
- PF Heavy-Duty Perimeter Drainage Grate
- XHD Bar Grate
- CG Cast Stainless Steel Grate
- B Stainless Steel Bucket
- WT with Trap

OUTLETS:

- SO Side Outlet, 4"
- Z No-Hub Spigot Outlet with Transitional Coupling



FOR OUTLET TYPE SPECIFY -Z

TYPE NO.	PIPE SIZE	LBS.
40523	3	8
40524	4	8

40580 SERIES

12" ROUND TOP, 8" DEEP FLOOR SINK

APPLICATION

For use in areas where ultimate sanitation is desired, such as kitchens, hospitals and food processing plants. The round grate and 8" deep sump accept moderate flow and the dome strainer intercepts debris which could block the drain line. Anchor tabs are provided to secure body in concrete.

SPECIFICATION

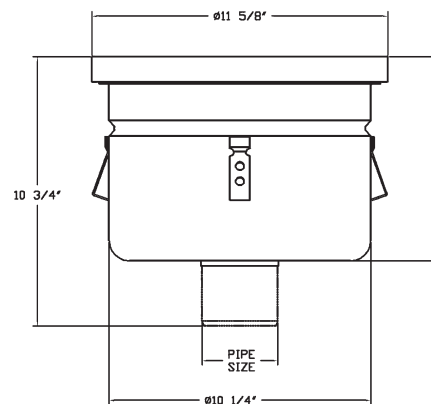
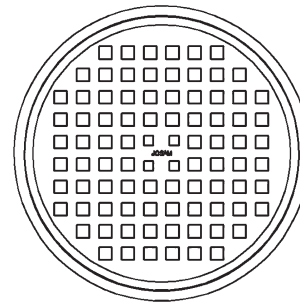
JOSAM 40580 Series round stainless steel 8" deep SUPER-FLO-SEPTOR® Floor Sink, bottom outlet, internal dome strainer and stainless steel perforated anti-tilting grate.

Available Options

- MD Mesh Grate
- PF Heavy-Duty Perimeter Drainage Grate
- XHD Bar Grate
- CG Cast Stainless Steel Grate
- B Stainless Steel Bucket
- WT with Trap

OUTLETS:

- SO Side Outlet, 4"
- Z No-Hub Spigot Outlet with Transitional Coupling



FOR OUTLET TYPE SPECIFY -Z

TYPE NO.	PIPE SIZE	LBS.
40583	3	15
40584	4	15

56670-SS SERIES **CLEANOUT**

APPLICATION

For use in corrosive environments for floors subject to pedestrian or light wheel traffic where direct access to drain or waste line is desired. A threaded flanged plug maintains the gas and watertight seal and is removable by the use of a spanner wrench.

SPECIFICATION

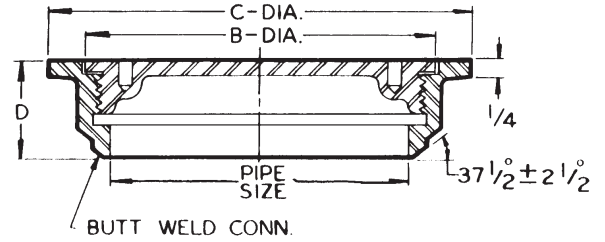
JOSAM 56670-SS Series Type 316 cast stainless steel round flush Cleanout with flanged ring and scoriated spanner type flanged screw plug, bottom outlet, butt weld connection for schedule 40 pipe.

Available Options

-45 Spanner Wrench

OUTLET:

-69 Schedule 10 S Butt Weld Connection



FOR OUTLET TYPE, SPECIFY BUTT WELD

TYPE NO.	PIPE SIZE	B	C	D	LBS.
56672-SS	2	2-7/8	3-3/4	1-1/2	3
56673-SS	3	4	4-7/8	1-1/2	7
56674-SS	4	5	6	1-5/8	7
56676-SS	6	7-1/4	8-3/8	1-5/8	10

