

88100 SERIES

"P" TRAP

APPLICATION

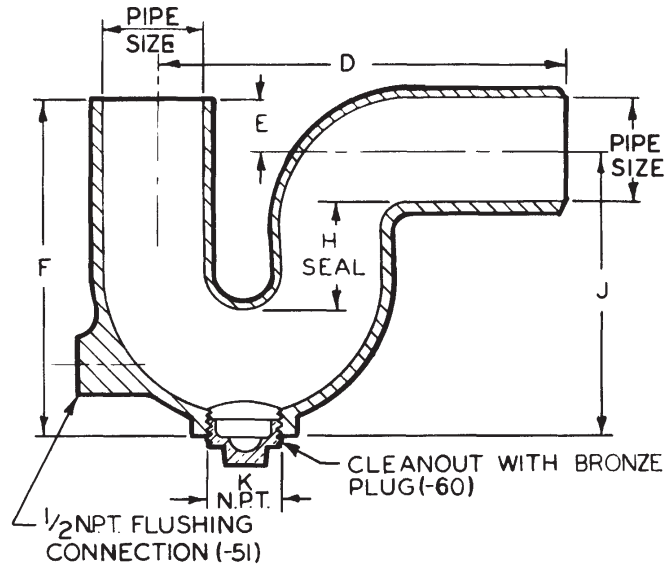
For use with any bottom outlet floor drain where a "P" trap with a bottom access cleanout is required to prevent sewer gas or vermin from entering the building.

SPECIFICATION

JOSAM 88100 Series coated cast iron "P" Trap, spigot inlet and side outlet spigot connection.

Available Options

- 51 1/2" Flushing Tap
- 60 Bronze Plug



NOTE: WHEN (-51) FLUSHING CONNECTION IS USED, A VACUUM BREAKER SHOULD BE INSTALLED SUBJECT TO CODE REQUIREMENTS.

TYPE NO.	PIPE SIZE	D	E	F	H	J	K	LBS.
88102	2	9-5/16	1-5/16	8-1/8	3-1/4	6-13/16	1-1/2	20
88103	3	11-1/2	1-3/4	9-3/4	3	8	2	36
88104	4	15-3/8	2	13-1/4	4-1/8	11-1/4	3	38

88210 SERIES

DEEP SEAL TRAP, FUNNEL INLET

APPLICATION

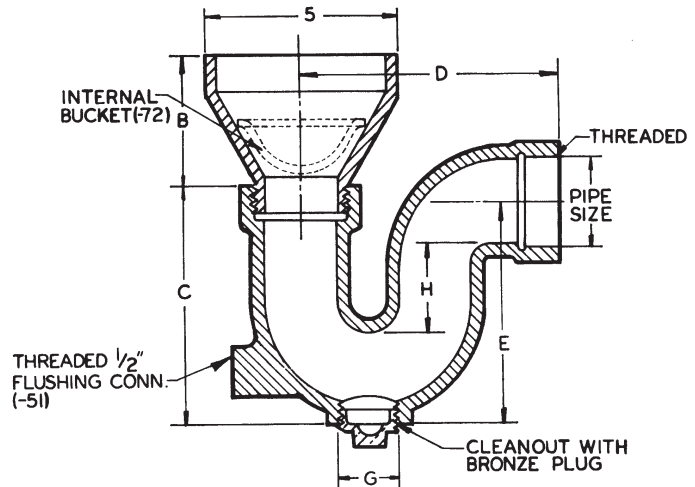
For use in hospitals or laboratories to collect indirect waste such as condensation or other drips or spills. This deep seal trap with a bottom access cleanout may be used to prevent sewer gas or vermin from entering the building.

SPECIFICATION

JOSAM 88210 Series coated cast iron Deep Seal "P" Trap with indirect waste funnel inlet and side outlet threaded connection.

Available Options

- 8 All Bronze
- 51 1/2" Flushing Tap
- 72 Bronze Bucket



NOTE: WHEN (-51) FLUSHING CONNECTION IS USED, A VACUUM BREAKER SHOULD BE INSTALLED SUBJECT TO CODE REQUIREMENTS.

TYPE NO.	PIPE SIZE	B	C	D	E	G	H	LBS.
88212	2	4	6-5/8	6	5-3/4	1	2-3/8	10
88213	3	5	8-1/2	8-1/4	8	2	3-1/4	20

88250 SERIES

TRAP SEAL PRIMER VALVE

APPLICATION

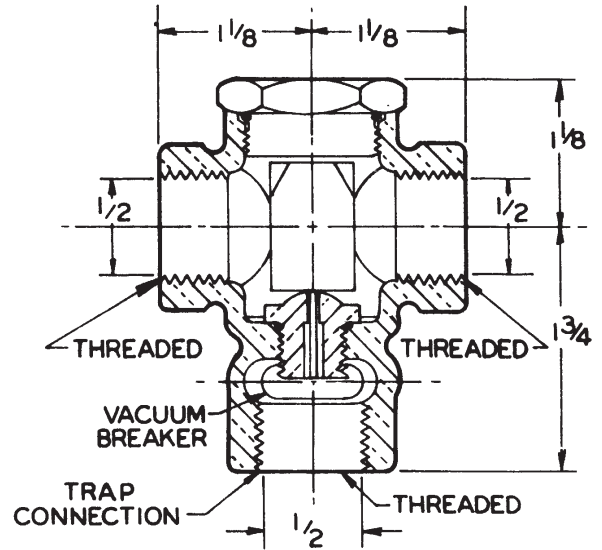
For use with tapped floor drains in locations where infrequent use or other conditions might permit the water seal to evaporate, allowing sewer gas or objectionable and contaminating odors to escape through the drain. The trap primer valve is connected to a water supply line and sends a precise amount of water, with each use, to the trap to compensate for evaporation and ensure maintenance of a water seal in the trap at all times.

SPECIFICATION

JOSAM 88250 Series all bronze Primer Valve with removable operating parts, integral vacuum breaker and gasketed access cover for installation in a cold water service line to a plumbing fixture with trap connection for maintaining trap seal.

Available Options

- 10 Polished Chrome Plated
- 90 1/2" Female Copper Connection
- 91 1/2" Female IPS Union Connection



TYPE NO.	LBS.
88250	3

88300 SERIES

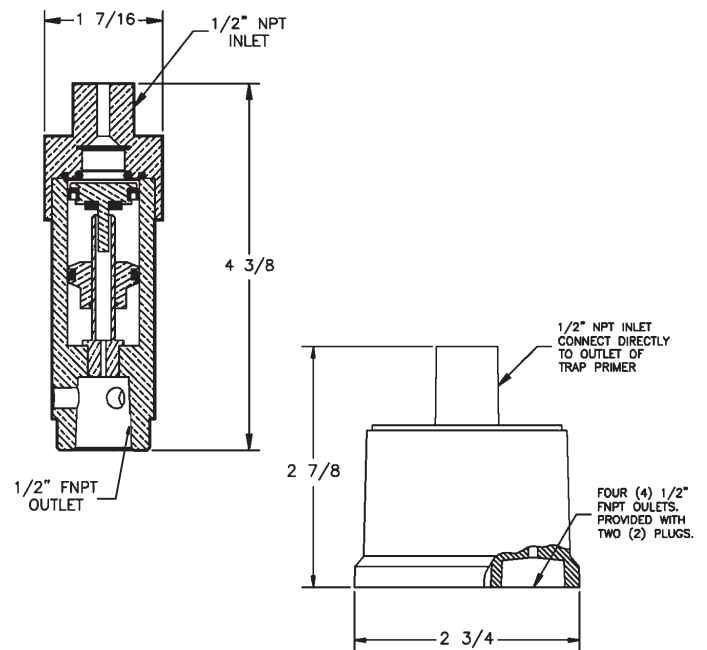
TRAP PRIMER VALVE & DISTRIBUTION UNIT

APPLICATION

For use with two to four tapped floor drains in locations where infrequent use or other conditions might permit the water seal to evaporate, allowing sewer gas or objectionable and contaminating odors to escape through the drain. The trap primer valve is connected to a cold water supply line and sends a precise amount of water, with each use, to the trap to compensate for evaporation and ensure maintenance of a water seal in the trap at all times.

SPECIFICATION

JOSAM 88300 Series all bronze trap primer valve with 1/2" N.P.T. inlet, integral back-flow preventer, vacuum breaker ports and 1/2" F.N.P.T. outlet for connection to plastic distribution unit for two to four plumbing fixtures.



TYPE NO.	LBS.
88300	1.5

88400 SERIES

NO-HUB SPIGOT ADAPTER

APPLICATION

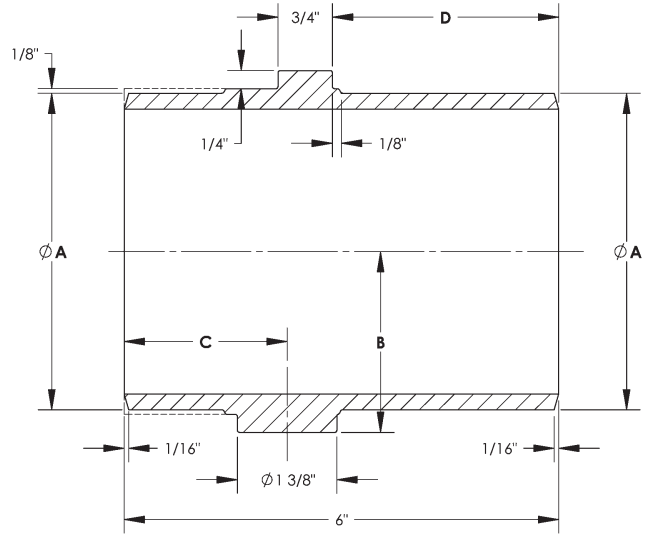
For use when extending no-hub bottom outlet or accepting water from trap primer connection through optional primer tap.

SPECIFICATION

JOSAM 88400 Series coated cast iron Spigot Adapter with no-hub by no-hub connections.

Available Options

- 40 Galvanized Cast Iron Parts
- 49 3/4" Primer Tap
- 50 1/2" Primer Tap



TYPE NO.	A	B	C	D	LBS.
88402	2-5/16	1-13/32	2-3/4	2-3/4	3
88403	3-3/8	1-15/16	2-1/2	3	5
88404	4-3/8	2-1/2	2-5/16	3	5
88406	6-5/16	3-1/2	2-1/4	3-1/4	8
88408	8-7/16	4-1/2	2	3-1/2	14

88450 SERIES

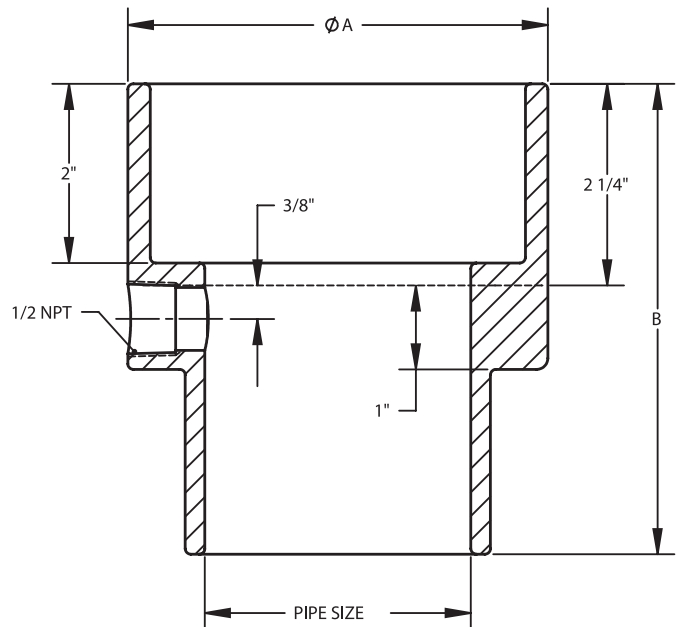
TRAP PRIMER ADAPTER

APPLICATION

For use when accepting water from trap primer connection through optional low-profile primer tap adapter when drain body is not tapped.

SPECIFICATION

JOSAM 88450 Series coated cast iron trap primer adapter with no-hub by gasketed hub connections.



TYPE NO.	PIPE SIZE	A	B	LBS.
88452	2	3-5/8	5	4
88453	3	4-3/4	5-1/4	5
88454	4	5-3/4	5-3/4	6

MISC., TRAPS & ACCESS.

88550 SERIES HUB ADAPTER, THREADED OUTLET

APPLICATION

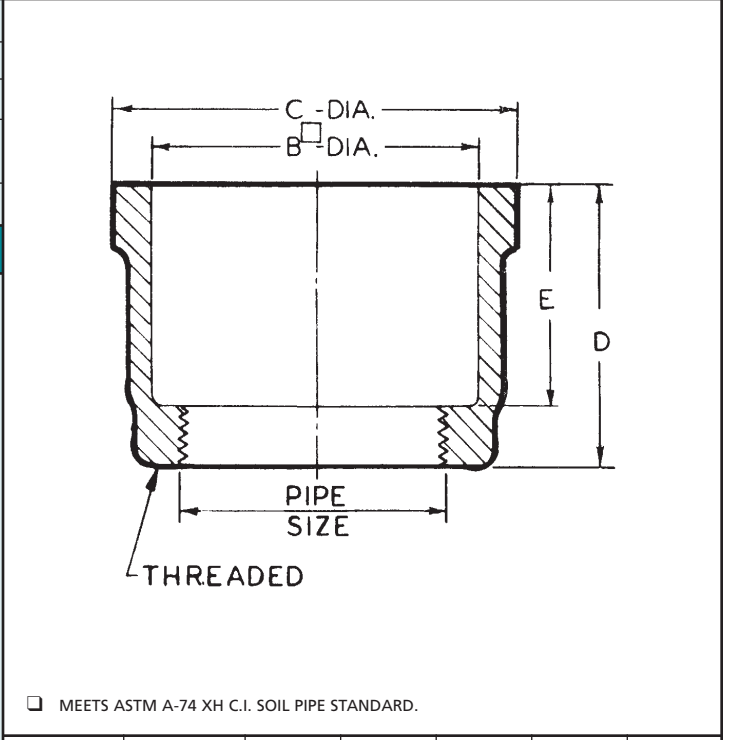
For use when converting from male threaded connection to bell or hub for caulking.

SPECIFICATION

JOSAM 88550 Series coated cast iron Hub Adapter with standard cast iron soil pipe hub and female threaded outlet.

Available Option

-40 Galvanized Cast Iron Parts



TYPE NO.	PIPE SIZE	B □	C	D	E	LBS.
88553	3	4-1/4	5-1/4	3	2-1/4	5
88554	4	5-3/8	6-1/4	2-7/8	2-3/8	5
88555	5	6-1/4	7-1/4	3-1/2	2-7/8	7
88556	6	7-1/2	8-1/4	3-5/8	3	8

88560 SERIES HUB ADAPTER, THREADED OUTLET

APPLICATION

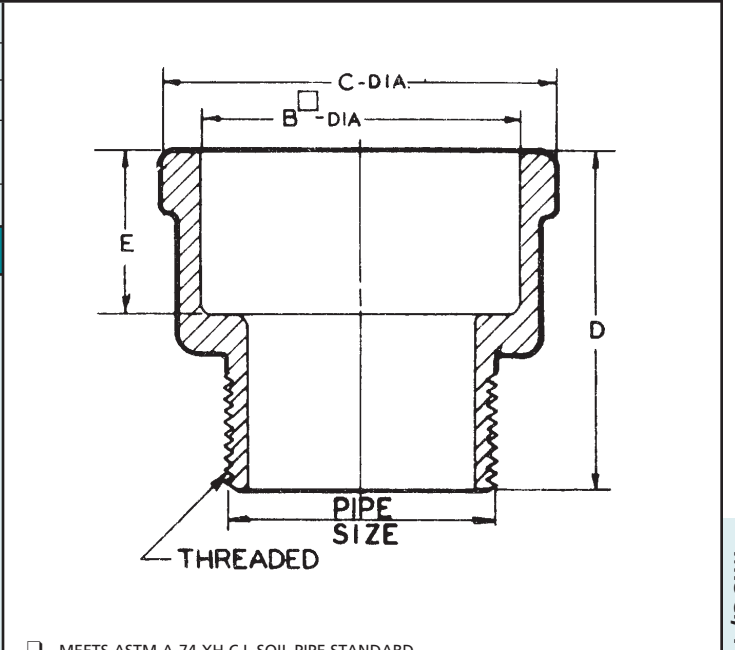
For use when converting from female threaded connection to bell or hub for caulking.

SPECIFICATION

JOSAM 88560 Series coated cast iron Hub Adapter with standard cast iron soil pipe hub and male threaded outlet.

Available Option

-40 Galvanized Cast Iron Parts



TYPE NO.	PIPE SIZE	B □	C	D	E	LBS.
88562	2	3	3-7/8	4	2-1/4	4
88563	3	4-1/4	5-1/8	4-1/4	2-3/8	5
88564	4	5-1/4	6-1/8	4-3/8	2-3/8	6
88565	5	6-1/4	7-1/8	4-3/8	2-3/8	7
88566	6	7-1/4	8	4-3/8	2-3/8	8
88568	8	9-1/4	10-1/2	4-3/8	2-1/4	11

MISC., TRAPS & ACCESS.

88600 SERIES

REDUCING HUB ADAPTER

APPLICATION

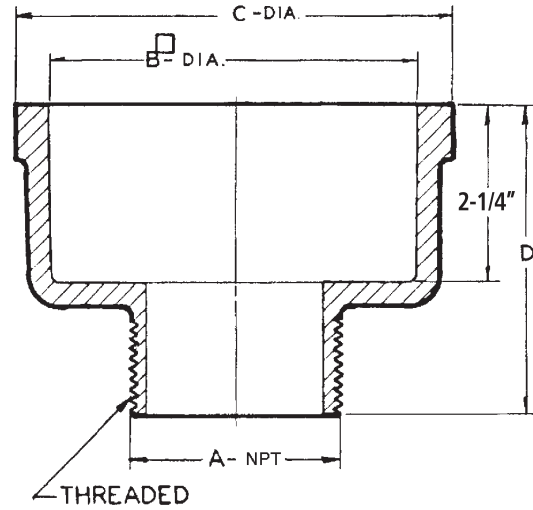
For use when reducing from bell or hub to female threaded connection.

SPECIFICATION

JOSAM 88600 Series coated cast iron Hub Adapter with standard cast iron soil pipe hub and male threaded outlet.

Available Option

-40 Galvanized Cast Iron Parts



☐ MEETS ASTM A-74 XH CAST IRON SOIL PIPE STANDARD.

TYPE NO.	PIPE SIZE OUTLET	PIPE SIZE INLET	A	B ☐	C	D	LBS.
88603-2	2	3	2	4-1/4	5	4-3/8	5
88603-2 1/2	2-1/2	3	2-1/2	4-1/4	4-7/8	3-5/8	5
88604-2	2	4	2	5-1/4	6	4-3/8	6
88604-2 1/2	2-1/2	4	2-1/2	5-1/4	6	4-1/4	5
88604-3	3	4	3	5-1/4	6	4-3/8	6
88606-4	4	6	4	7-1/4	8	4-3/8	9

88900 SERIES

AIR GAP

APPLICATION

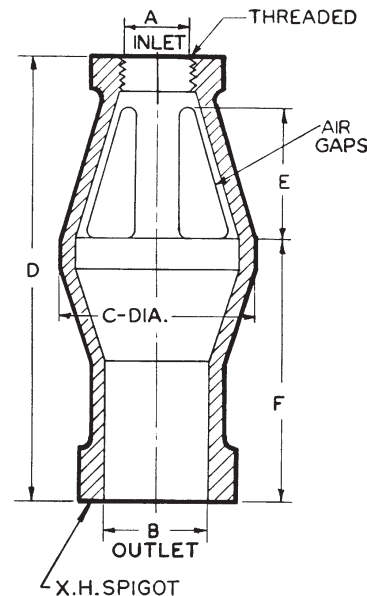
For use between waste outlets and the plumbing drainage system to provide protection of fixtures such as food processing equipment, hospital and laboratory devices and storage tanks from contamination due to backflow in the drain line. Air gap prevents contamination because back siphonage is broken by the ample free area between the threaded inlet and spigot outlet.

SPECIFICATION

JOSAM 88900 Series coated cast iron Air Gap with integrally cast air ports, threaded inlet and extra-heavy spigot outlet.

Available Option

-40 Galvanized Cast Iron Parts



NOTE: INSTALL AIR GAP IN EXPOSED LOCATIONS WHERE MINOR SPLASHING WILL NOT BE A PROBLEM.

TYPE NO.	A	B	C	D	E	F	LBS.
88900-1	1	2	3-1/2	8	2-1/2	4-3/4	4
88900-2	1-1/2	2	3-1/2	8	3	4-3/4	5
88900-3	2	3	4-1/2	11-1/2	4	6-1/2	9
88900-4	3	4	6-1/2	15-1/2	6	8-1/2	15
88900-5	4	6	8-1/2	20	8	10-3/8	30

MISC., TRAPS & ACCESS.

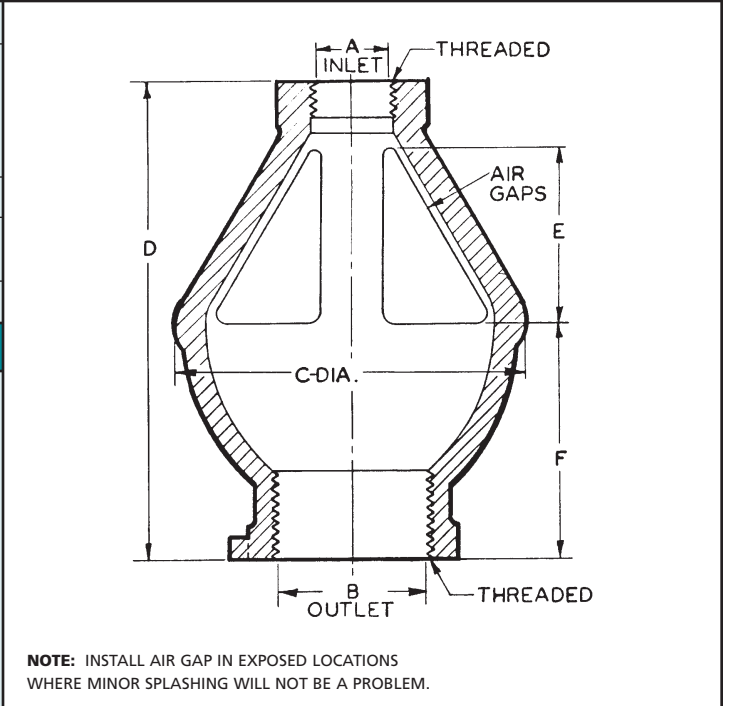
88910 SERIES AIR GAP

APPLICATION
 For use between waste outlets and the plumbing drainage system to provide protection of fixtures such as food processing equipment, hospital and laboratory devices and storage tanks, from contamination due to backflow in the drain line. Air gap prevents contamination because back siphonage is broken by the ample free area between the threaded inlet and threaded outlet.

SPECIFICATION
 JOSAM 88910 Series coated cast iron Air Gap with integrally cast air ports, female threaded inlet and outlet.

Available Option

-40 Galvanized Cast Iron Parts



TYPE NO.	A	B	C	D	E	F	LBS.
88910-1	1/4	3/4	2-1/4	3	1	1-5/8	1
88910-2	1/2	3/4	2-1/4	3	1	1-5/8	1
88910-3	1/2	1	2-1/4	3	1	1-5/8	1
88910-4	3/4	1-1/2	4	5-1/2	2	3	3
88910-5	1	1-1/2	4	5-1/2	2	3	3

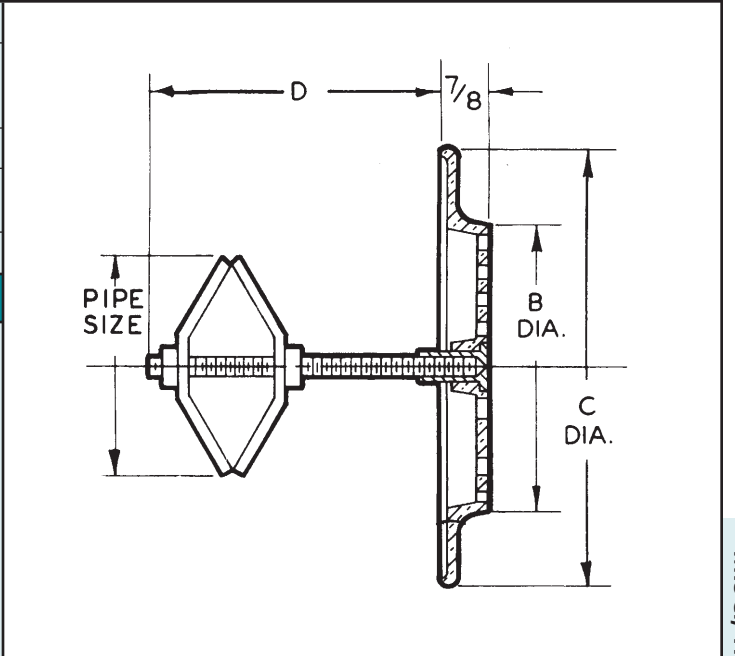
88950 SERIES FRESH AIR INLET

APPLICATION
 For use where fresh air is to be introduced into the building drainage system and protection against foreign matter is required. Unit includes steel pipe expansion anchoring device and Vandal-Proof spanner locking mechanism.

SPECIFICATION
 JOSAM 88950 Series Nikaloy Fresh Air inlet with satin perforated grille, steel pipe expansion anchoring device and Vandal-Proof spanner locking device.

Available Option

-2 Satin Finish Bronze Face



TYPE NO.	PIPE SIZE	B	C	D	FREE AREA SQ. IN.	LBS.
88952	2	5-1/4	8	5-5/8	8	3
88953	3	5-1/4	8	5-5/8	8	3
88954	4	5-1/4	8	5-5/8	8	3
88955	5	7-1/4	10	6-5/8	16	4
88956	6	9-1/4	12	7-5/8	26-3/4	6
88958	8	11-1/4	14	8-5/8	40	8

MISC., TRAPS & ACCESS.

88970 SERIES

FRESH AIR INLET, CONVEX GRILLE

APPLICATION

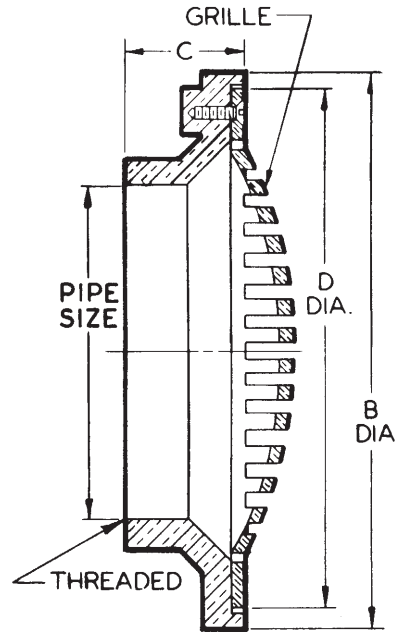
For use where fresh air is to be introduced into the building drainage system and protection against foreign matter is required. Unit includes convex grille and female threaded outlet.

SPECIFICATION

JOSAM 88970 Series Satin Finish Nikaloy Face Fresh Air inlet with satin slotted convex grille and female threaded outlet.

Available Options

- 8-2 All Bronze with Satin Finish Face
- VP Secured Grate, Vandal-Proof Screws



TYPE NO.	PIPE SIZE	B	C	D	FREE AREA SQ. IN.	LBS.
88974	4	6	1-1/8	5-1/2	9	3
88975	5	7	1-1/4	6-1/2	14	4