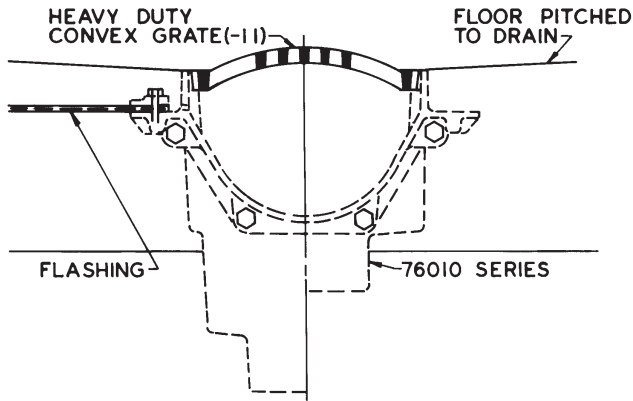
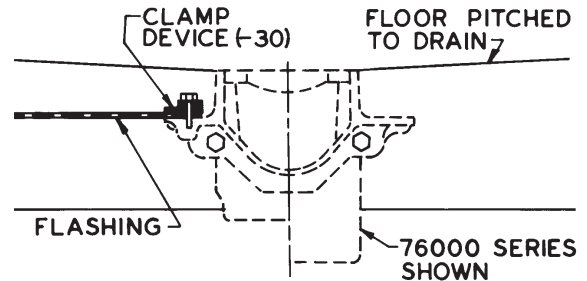


TRENCH DRAINS

Options



(-11) OPTION, HEAVY-DUTY CONVEX GRATE
allows drainage through openings in top of grate even in the event of perimeter blockages by leaves or debris.



(-30) OPTION, FLASHING CLAMP DEVICE
assures the positive bond of the membrane between the flange and clamp ring.

How To Order

Unless optional materials are specified, standard material shown in Specification will be provided.
Last digit indicates outlet size.

EXAMPLE: Series No. 76000

Type No. 76004

76004 -X -1 -30

Outlet Size _____

Outlet Type, Inside Caulk Outlet _____

Optional Material, Satin Finish Nikaloy Top _____

Option, Flashing Clamp Device _____

76000 & 76010 Series Ordering Information

1. Specify type number and options as above.
2. Specify total quantity of outlets and total quantity of extensions.
3. Assembly is recommended when nikaloy and bronze tops are ordered.
When assembly is required, indicate layout of outlets and extensions, using "O" for outlet and "X" for extensions.

EXAMPLE: For center outlet and two extensions, specify X-O-X.

Trench Grate Ordering Information

76300, 76500 and 76700 Series Grates are used in an END-TO-END configuration.

76400, 76600 and 76800 Series Frame & Grate Assemblies use 76300, 76500 and 76700 Series Grates respectively in a SIDE-BY-SIDE configuration.

6" WIDE TRENCH DRAIN

76000
5" Deep, Heavy-Duty SUPER-FLO® Grate



Page 254

12" WIDE TRENCH DRAIN

76010
7-5/8" Deep, Heavy-Duty Grate



Page 255

FRAMES & GRATES

76300, 76400
12-3/8" Wide, Light-Duty Grate



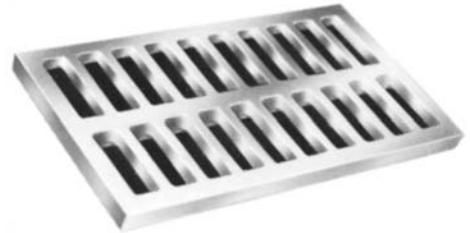
Page 255

76500, 76600
12-5/8" Wide, Medium-Duty Grate



Page 256

76700, 76800
12-5/8" Wide, Heavy-Duty Grate



Page 256

76000 SERIES

APPLICATION

For use in heavy traffic areas where a continuous trench drain is required such as in parking garages, vehicle repair facilities, manufacturing plants and ramps. The internal dome strainer intercepts debris, that could block the drain line. An outlet section can be used individually as an area drain.

SPECIFICATION

JOSAM 76000 Series coated cast iron rectangular sectional Trench Drain with heavy-duty body sections and integral anchor flange, heavy-duty loose-set SUPER-FLO® Grates with perimeter drainage slots, 5/16" x 3-1/2" grate openings, secondary loose-set dome strainer and bottom outlet inside caulk connection.

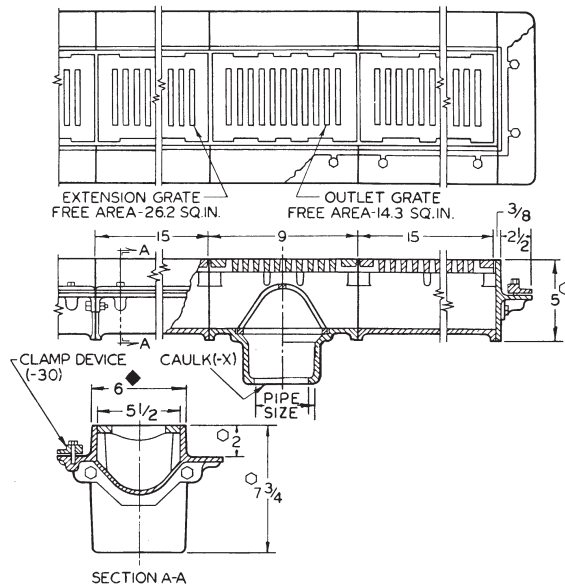
Available Options

- EXT Extension Section
 - 1 Satin Finish Nikaloy Top
 - 2 Satin Finish Bronze Top
 - 7 Ductile Iron Grate
 - * -VP Secured Grate, Vandal-Proof Screws
 - 30 Flashing Clamp Device
 - 40 Galvanized Cast Iron Parts
- OUTLET:**
- X Inside Caulk Outlet

*For installations exposed to vehicular traffic, specify -VP, Secured Grate.

TYPE NO.	PIPE SIZE	LENGTH IN.		LBS.	
		OUTLET SECTION	EXTENSION SECTION	OUTLET SECTION	EXTENSION SECTION
76002	2	9	15	32	32
76003	3	9	15	32	32
76004	4	9	15	32	32

SUPER-FLO® 6" WIDE, RECTANGULAR



GRATE SLOT OPENINGS ARE: 3-1/2" x 5/16" C. I.
1-11/16" x 1/4" BRONZE AND NIKALOY

IT IS RECOMMENDED THAT NO MORE THAN 8 EXTENSION SECTIONS BE USED WITH ONE OUTLET SECTION.

○ ADD 1/4" FOR NIKALOY OR BRONZE TOP.

◆ ADD 1/4" TO WIDTH AND OVERALL LENGTH FOR NIKALOY OR BRONZE TOP.

FOR OUTLET TYPE SPECIFY -X

76010 SERIES

12" WIDE, RECTANGULAR

APPLICATION

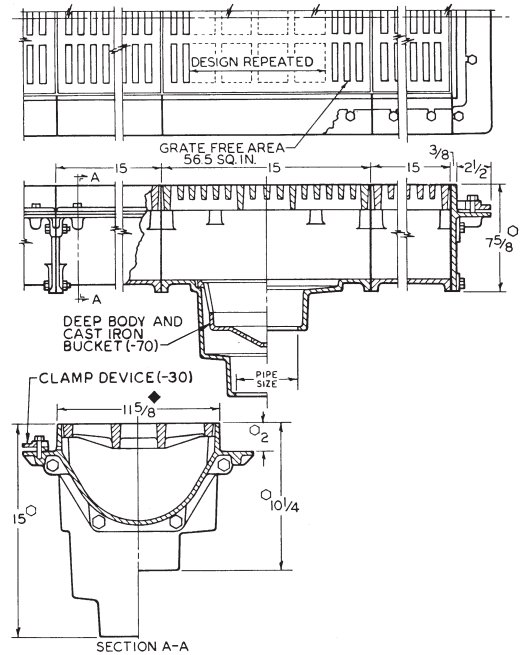
For use in heavy traffic areas where a wide, continuous trench drain that can serve as a temporary reservoir for large quantities of water is required, such as in parking garages, vehicle repair facilities, manufacturing plants and ramps. An outlet section can be used individually as an area drain.

SPECIFICATION

JOSAM 76010 Series coated cast iron rectangular sectional Trench Drain with heavy-duty body sections and integral anchor flange, heavy-duty loose-set grates, 7/16" x 2-3/4" grate openings and bottom outlet.

Available Options

-EXT	Extension Section	-30	Flashing Clamp Device
-1	Satin Finish Nikaloy Top	-40	Galvanized Cast Iron Parts
-2	Satin Finish Bronze Top	-70	Sediment Bucket
-7	Ductile Iron Grate	-70-40	Bucket, Galvanized
-11	Convex Grate	OUTLET:	
-VP	Secured Grate, Vandal-Proof Screws	-X	Inside Caulk Outlet



GRATE SLOT OPENING 2-3/4" X 7/16"

IT IS RECOMMENDED THAT NO MORE THAN 8 EXTENSION SECTIONS BE USED WITH ONE OUTLET SECTION.

○ ADD 1/4" WHEN FURNISHED WITH NIKALOY OR BRONZE TOP.

◆ ADD 3/8" TO WIDTH AND OVERALL LENGTH FOR NIKALOY OR BRONZE TOP.

76300 & 76400 SERIES

LIGHT-DUTY, RECTANGULAR

APPLICATION

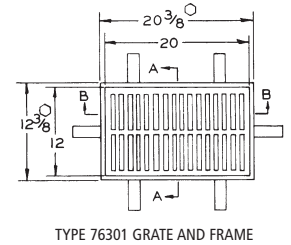
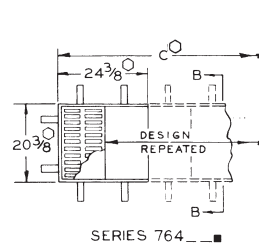
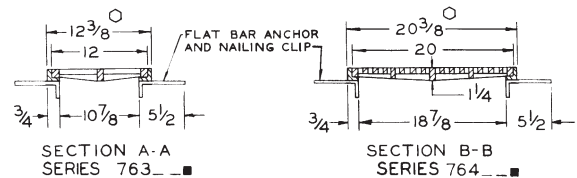
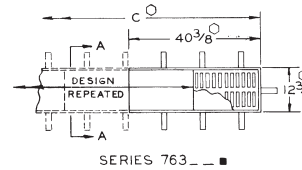
For use in pedestrian and light wheel traffic areas where a concrete or similarly constructed trench with 5/8" recessed frame, by others, has been constructed for use with JOSAM grate only. May be used end-to-end for 12" wide trench as long as needed. 76301 includes single grate and frame, by JOSAM, 20-3/8" x 12-3/8". 76302 includes end-to-end grates and frame by JOSAM. Frame and grate combination may be ordered to the necessary length to complete a continuous trench 12-3/8" wide. 76402 includes side-by-side grates and frame, by JOSAM. Frame and grate combination may be ordered to the necessary length to complete a continuous trench 20-3/8" wide.

SPECIFICATION

JOSAM 76300 and 76400 Series coated cast iron rectangular light-duty sectional Trench Grate, 12" x 20" with 1/2" x 5" grate openings.

Available Options

-1	Satin Finish Nikaloy Grate, Stainless Steel Frame	-VP	Secured Grate, Vandal-Proof Screws
-7	Ductile Iron Grate	-40	Galvanized
-8-2	All Bronze with Satin Finish Top		



GRATE SLOT OPENING 5" X 1/2" C.I.
3-1/4" X 5/16" NIKALOY & BRONZE

DIM. OF TRENCH IS "C" DIM. LESS 1-1/2".

FREE AREA OF EACH GRATE IS 110 SQ. IN.

○ DIM. GIVEN IS BACK-TO-BACK OF 3/4" X 3/4" X 1/8" ANGLE FRAME.

■ LAST TWO DIGITS OF THESE SERIES INDICATE THE NUMBER OF GRATES.

SERIES NO.	TYPE NO.	DESCRIPTION	C	LBS.
76300	76300	Grate Only	20	29
76300	76301	Single Grate & Frame	20-3/8	34
76300	76302	2-Grate Section	40-3/8	64
76400	76402	2-Grate Section	24-3/8	59

76500 & 76600 SERIES

MEDIUM-DUTY, RECTANGULAR

APPLICATION

For use in medium traffic areas where a concrete or similarly constructed trench with 1-1/4" recessed frame, by others, has been constructed for use with JOSAM grate only. May be used end-to-end for 12" wide trench as long as needed. 76501 includes single grate and frame, by JOSAM, 24-5/8" x 12-5/8". 76502 includes end-to-end grates and frame, by JOSAM. Frame and grate combination may be ordered to the necessary length to complete a continuous trench 12-5/8" wide. 76602 includes side-by-side grates and frame by JOSAM. Frame and grate combination may be ordered to the necessary length to complete a continuous trench 24-5/8" wide.

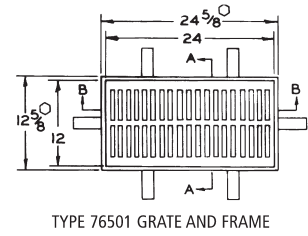
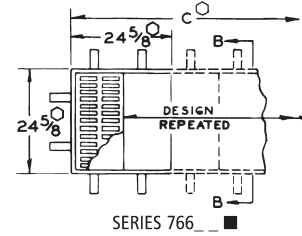
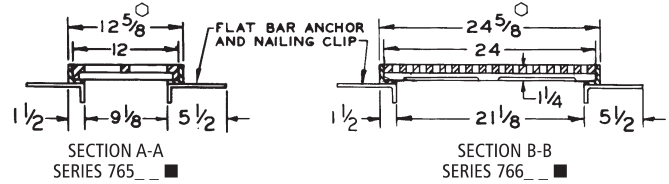
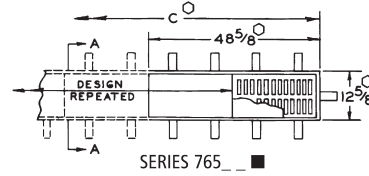
SPECIFICATION

JOSAM 76500 and 76600 Series coated cast iron rectangular medium-duty sectional Trench Grate, 12" x 24" with 1/2" x 4-3/8" grate openings.

Available Options

- 1 Satin Finish Nikaloy Grate, Stainless Steel Frame
- 7 Ductile Iron Grate
- 8-2 All Bronze with Satin Finish Top
- VP Secured Grate, Vandal-Proof Screws
- 40 Galvanized

SERIES NO.	TYPE NO.	DESCRIPTION	C	LBS.
76500	76500	Grate Only	24	40
76500	76501	Single Grate & Frame	24-5/8	57
76500	76502	2-Grate Section	48-5/8	108
76600	76602	2-Grate Section	24-5/8	103



GRATE SLOT OPENING 4-3/8" X 1/2"
DIM. OF TRENCH IS "C" DIM. LESS 3"
FREE AREA OF EACH GRATE IS 90 SQ. IN.

- DIM. GIVEN IS BACK-TO-BACK OF 1-1/2" x 1-1/2" x 1/4" ANGLE FRAME.
- LAST TWO DIGITS OF THESE SERIES INDICATE THE NUMBER OF GRATES.

76700 & 76800 SERIES

HEAVY-DUTY, RECTANGULAR

APPLICATION

For use in heavy traffic areas where a concrete or similarly constructed trench with 1-1/4" recessed frame, by others, has been constructed for use with JOSAM grate only. May be used end-to-end for 12" wide trench as long as needed. 76701 includes single grate and frame by JOSAM, 24-5/8" x 12-5/8". 76702 includes end-to-end grates and frame by JOSAM. Frame and grate combination may be ordered to the necessary length to complete a continuous trench 12-5/8" wide. 76802 includes side-by-side grates and frame by JOSAM. Frame and grate combination may be ordered to the necessary length to complete a continuous trench 24-5/8" wide.

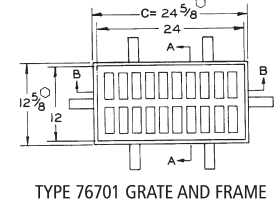
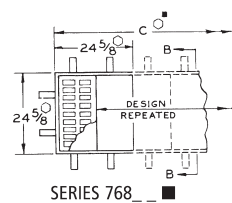
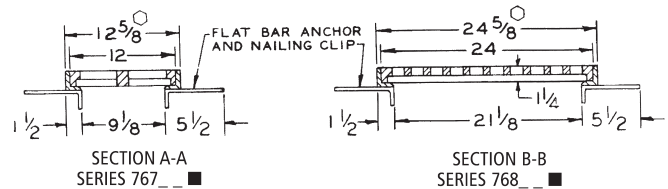
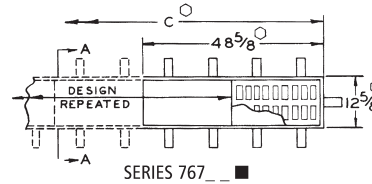
SPECIFICATION

JOSAM 76700 and 76800 Series coated cast iron rectangular heavy-duty sectional Trench Grate, 12" x 24" with 1-1/2" x 4-1/4" grate openings.

Available Options

- 1 Satin Finish Nikaloy Grate, Stainless Steel Frame
- 7 Ductile Iron Grate
- 8-2 All Bronze with Satin Finish Top
- VP Secured Grate, Vandal-Proof Screws
- 40 Galvanized

SERIES NO.	TYPE NO.	DESCRIPTION	C	LBS.
76700	76700	Grate Only	24	56
76700	76701	Single Grate & Frame	24-5/8	73
76700	76702	2-Grate Section	48-5/8	140
76800	76802	2-Grate Section	24-5/8	135



GRATE SLOT OPENING 4-1/4" X 1-1/2"
DIM. OF TRENCH IS "C" DIM. LESS 3"
FREE AREA OF EACH GRATE IS 100 SQ. IN.

- DIM. GIVEN IS BACK-TO-BACK OF 1-1/2" x 1-1/2" x 1/4" ANGLE FRAME.
- LAST TWO DIGITS OF THESE SERIES INDICATE THE NUMBER OF GRATES.