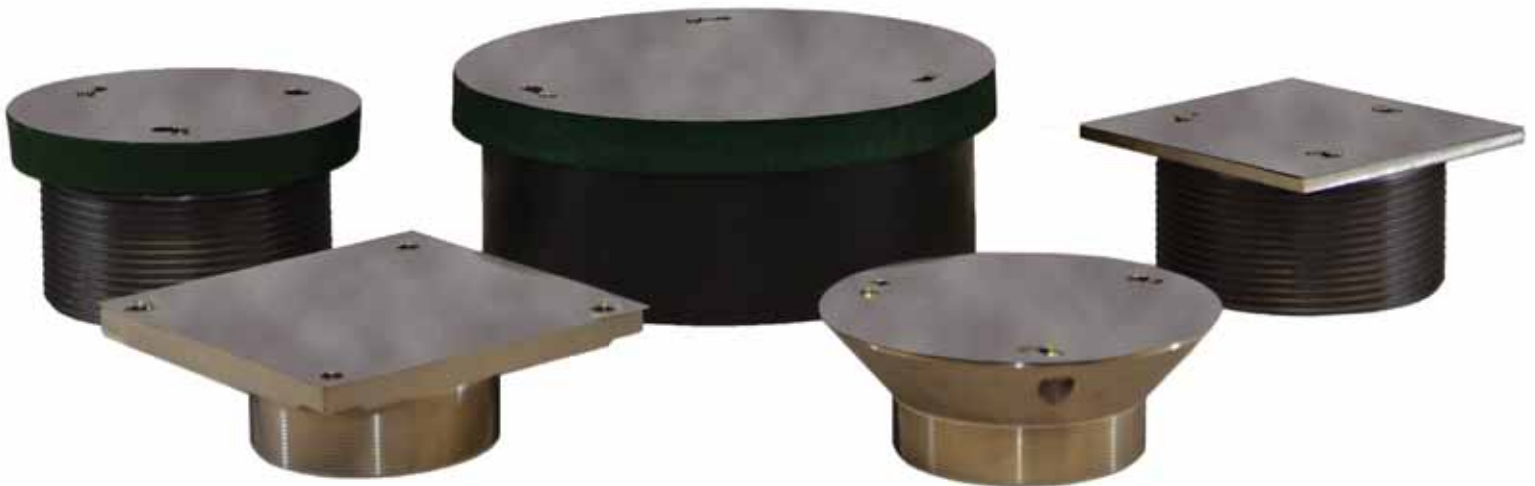




Protective Debris Covers



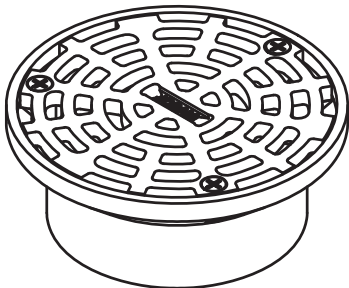
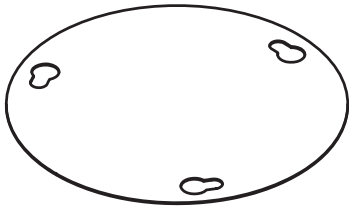
Features & Benefits

- Protection for floor drain strainer & cleanouts covers during concrete pour
- Eliminates the need to tape strainer & cleanout covers
- Eliminates hours of labor to remove tape adhesive
- Quick & easy installation
- Re-usable
- Available for Josam 5A, 6A, 8A, 5S, 6S & 8S strainers and 55000 round & square cleanouts
- When ordering specify –DBC option

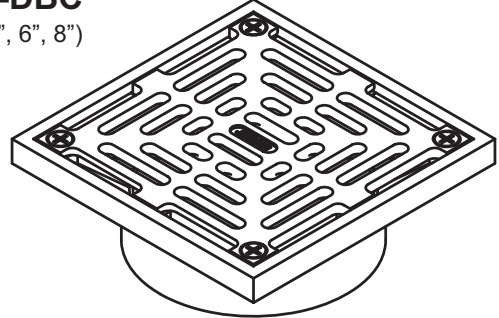
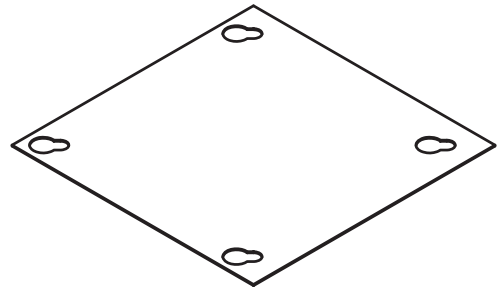
 **WARNING:** Cancer and Reproductive Harm - www.p65warnings.ca.gov

JOSAM

Protective Debris Covers

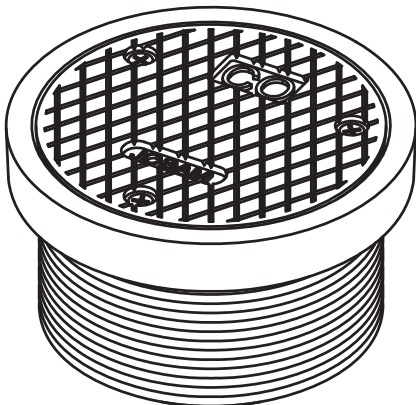
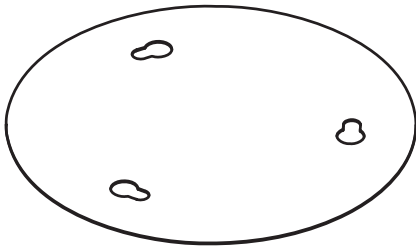


A-DBC
(5", 6", 8")

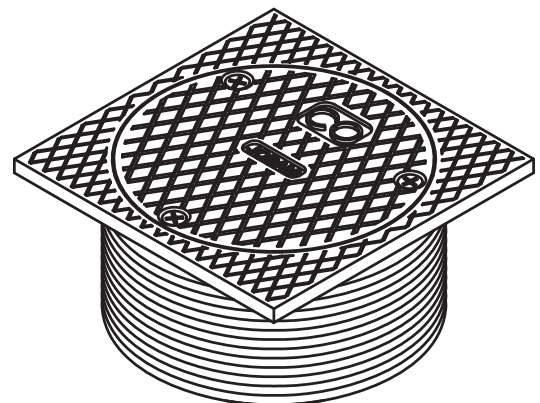
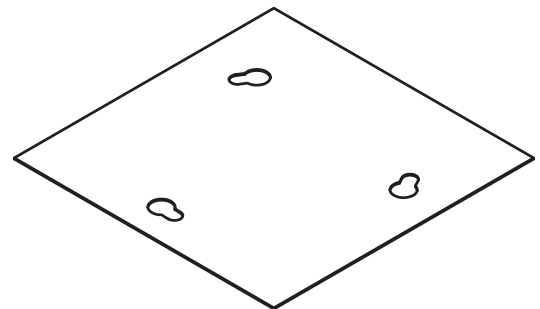


S-DBC
(5", 6", 8")

1. LOOSEN GRATE/COVER SCREWS
2. PLACE DEBRIS COVER OVER SCREWS
3. ROTATE/SLIDE DEBRIS COVER TO LOCK
4. LIGHTLY TIGHTEN SCREWS TO SECURE



55000-DBC



55000-SQ-DBC