



# THE NEXT GENERATION OF TRENCH DRAINS



MEAJOSAM's Pro-Plus range of trench drains is manufactured using glass-fiber reinforced polyester (GRP) pressed from sheet molding compound (SMC), which is a composite of polyester resin, mineral fillers and glass-fiber mats. SMC/GRP is an innovative material that is clearly superior to all other trench drain materials.

### Key Advantages of SMC/GRP Material:

- Shatterproof
- Frost, heat and rust resistant
- Lightweight - 70% lighter than polymer concrete
- 1.5 times stronger than polymer concrete
- Non-porous structure with a smooth surface
- Resistant to chemicals, oil, gasoline, hot asphalt and tartaric acid
- Non-flammable
- Free of halogens, asbestos and toxic heavy metals
- Capable of being formed into complex shapes
- An excellent cost performance material
- Recyclable
- Expands and contracts less than polymer concrete
- Greater compressive, flexural and tensile strength and less thermal expansion properties than either polypropylene or high density polyethylene

### Mea-Josam Pro-Plus Advantages:

- Available with and without slope
- Available in 4", 8" and 12" nominal interior widths
- Available in 1 meter (39.4") and 1/2 meter (19.7") lengths
- STARFIX grate securing system without bolts
- Load class A-E including steel, ductile iron and polymer grate options
- Multitude of accessories are available
- Applications include sidewalks, swimming pools, shopping areas, parking lots, loading docks, commercial kitchens and airport hangers



### MEAJOSAM Pro-Plus With and Without Slope

Pro-Plus Channel w/Slope  
U.S. Patent No. 7,736,092

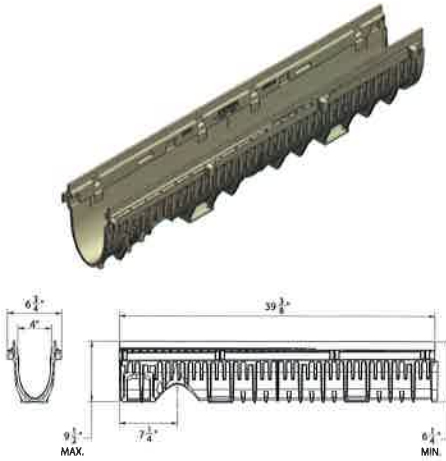
**SPECIFICATION:**

Mea-Josam (100C/200C/300C) channels shall be 39.4" long with (4"/8"/12") internal width and radiused bottom. Interconnecting channel sections shall be made of SMC/GRP sheet molding compound/glass reinforced polyester material and available with and without slope. Channel support brackets capable of accepting re-bar, end outlets, bottom outlets, endcaps and corner/T-sections shall be available. Grate options for loading classes A-E with pressure or locking bolt securing devices and cast iron rail to protect channel edges shall be available.

Note: Above specification should be amended where parentheses are noted to include the necessary channel width based on project requirements.

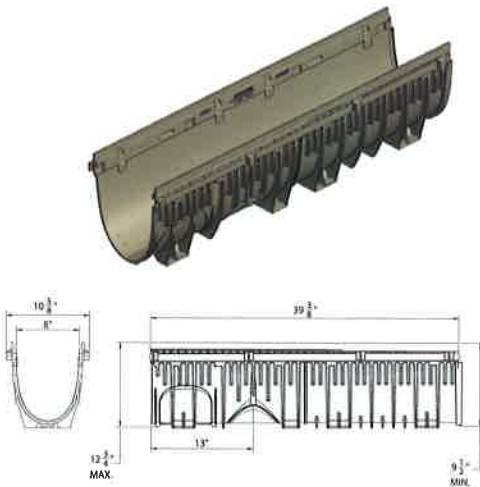


**MEA-JOSAM Pro-Plus 100 Channel**



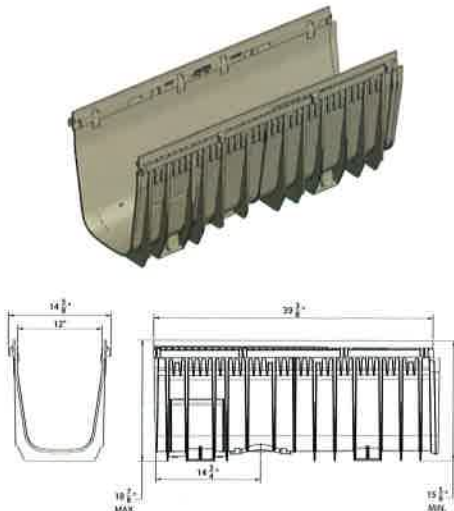
Product Code	Description	Depth	
		Start Inches	End Inches
100C	Neutral Channel	6.2	6.2
100C01	Sloped Channel	7.5	7.7
100C02	Sloped Channel	7.7	7.9
100C03	Sloped Channel	7.9	8.1
100C04	Sloped Channel	8.1	8.3
100C05	Sloped Channel	8.3	8.5
100C05N	Neutral Channel	8.5	8.5
100C06	Sloped Channel	8.5	8.7
100C07	Sloped Channel	8.7	8.9
100C08	Sloped Channel	8.9	9.1
100C09	Sloped Channel	9.1	9.3
100C10	Sloped Channel	9.3	9.5

**MEA-JOSAM Pro-Plus 200 Channel**



Product Code	Description	Depth	
		Start Inches	End Inches
200C	Neutral Channel	9.5	9.5
200C01	Sloped Channel	10.8	11.0
200C02	Sloped Channel	11.0	11.2
200C03	Sloped Channel	11.2	11.4
200C04	Sloped Channel	11.4	11.6
200C05	Sloped Channel	11.6	11.8
200C05N	Neutral Channel	11.8	11.8
200C06	Sloped Channel	11.8	12.0
200C07	Sloped Channel	12.0	12.2
200C08	Sloped Channel	12.2	12.4
200C09	Sloped Channel	12.4	12.6
200C10	Sloped Channel	12.6	12.8

**MEA-JOSAM Pro-Plus 300 Channel**



Product Code	Description	Depth	
		Start Inches	End Inches
300C	Neutral Channel	15.6	15.6
300C01	Sloped Channel	16.9	17.1
300C02	Sloped Channel	17.1	17.3
300C03	Sloped Channel	17.3	17.5
300C04	Sloped Channel	17.5	17.7
300C05	Sloped Channel	17.7	17.9
300C05N	Neutral Channel	17.9	17.9
300C06	Sloped Channel	17.9	18.1
300C07	Sloped Channel	18.1	18.3
300C08	Sloped Channel	18.3	18.5
300C09	Sloped Channel	18.5	18.7
300C10	Sloped Channel	18.7	18.9

For detailed submittal drawings please visit our website at [www.JOSAM.com](http://www.JOSAM.com)