



JOSAM

Trap Seal Insert TSI®

Solutions for Dangerous Sewer Gas,
Odors, Bugs, and Trap Primer Alternative



Available in
2", 3", 3.5", & 4"

Can be used in most
commercial floor drains

Installed in either the
strainer or the pipe

WATER FLOWS DOWN, SEWER GASES, ODORS, & BUGS STAY OUT

Plumbing installations including a trap primer can be expensive to initially install and often require maintenance due to failure. When a trap primer fails, sewer gases, bugs, and unpleasant odors can enter the building through the drain. Josam's easy to install Trap Seal Insert solves these common issues as water can freely pass down through the Trap Seal Insert, but gases, bugs, and odors are blocked by the one way seal. The Trap Seal Insert is an eco-friendly solution compared to the expense and hassle associated with trap primers.

JOSAM

Waterless Trap Seal for Floor Drains

TRAP SEAL INSERT

| Waterless Trap Seal for Floor Drains

The Problem

- Sewer odors coming up from dried traps
- Floor drain creating odor issues
- Expensive procedures to replace trap primers
- Drain flies, maggots and roaches escaping through floor drains
- Drain fly breeding issues in floor drains
- Current solutions are chemical-based, ineffective, and hazardous to the environment
- Added maintenance procedures to prevent these issues

The Solution

- The one way valve creates a seal to eliminate floor drain odor issues
- No more gases from floor drains
- Prevents and blocks bugs from crawling up through the floor drains
- Stops drain flies from entering the facility
- Sanitary, eco-friendly, and chemical free solution
- Simple installation & improved drainage quality

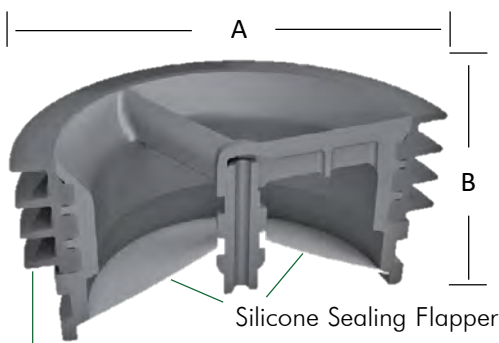
PRODUCT FEATURES

- Easy to install and easy to remove – no pliers needed.
- Requires no caulk or expensive installation tool.
- Saves a significant amount of time, water, costs, and energy.
- *The 3.5" fits in the strainer of most commercial cast iron drains for an easy retrofit into existing drains.



Part Number	Description Pipe Size (A)	Height (B)	Flow Rate (GPM)
88242	2" Drain Trap Seal	2"	12.0
88243	3" Drain Trap Seal	2"	34.0
88243-1/2*	3.5" Drain Trap Seal	2"	51.0
88244	4" Drain Trap Seal	2"	73.0

Note: Size of TSI® will match the drain outlet size. | *3.5" TSI® fits in the strainer of the drain.



Silicone gasket flexes .100" to fit diameter



Simply insert the proper size Trap Seal Insert into the existing floor drain or strainer to keep sewer gases, odors, and bugs out.

Visit www.josam.com for more information.

800.36.JOSAM | www.josam.com

