

JOSAM

www.JOSAM.com

NON-FREEZE & MILD CLIMATE WALL HYDRANT



The Josam 71300 and 71350 series non-freeze and mild climate wall hydrant is the first 100% POTABLE WATER SOURCE wall hydrant available on the market. The Josam 71300 and 71350 series wall hydrants have been tested and are in compliance with NSF/ANSI 61, NSF/ANSI 372, ASSE 1019, A112.18.1 & AB 1953

Standard Features:

- Mild Climate Model Available
- 4" – 14" Wall Thickness
- Chrome Plated Finish (Hydrant)
- Stainless Steel Box Standard on 71350 Series
- ¼ Turn Key Allows Full Flow to be Obtained
- ¾" H.P.T. Outlet
- Ceramic Disc
- Integral Vacuum Breaker/Backflow Preventer
- ¾" Male and ½" Female N.P.T. Inlet Connection




Stainless Steel
(Standard)



S.F. Bronze Face
(-52)



S.F. Nikaloy Face
(-54)

 **WARNING:** Cancer and Reproductive Harm - www.p65warnings.ca.gov

JOSAM HYDRANT 1/4 TURN WITH BOX - SERIES 71300

SPECIFICATION: JOSAM SERIES 71300 CHROME-PLATED HYDRANT/SILL-COCK, STAINLESS STEEL BOX, HINGED LATCHING COVER, 3/4" HPT OUTLET, INTEGRAL BACK FLOW PREVENTER, AND 1/2" OR 3/4" INLET CONNECTION.

HYDRANT APPROVED TO NSF/ANSI 61 FOR USE IN POTABLE WATER SYSTEMS.

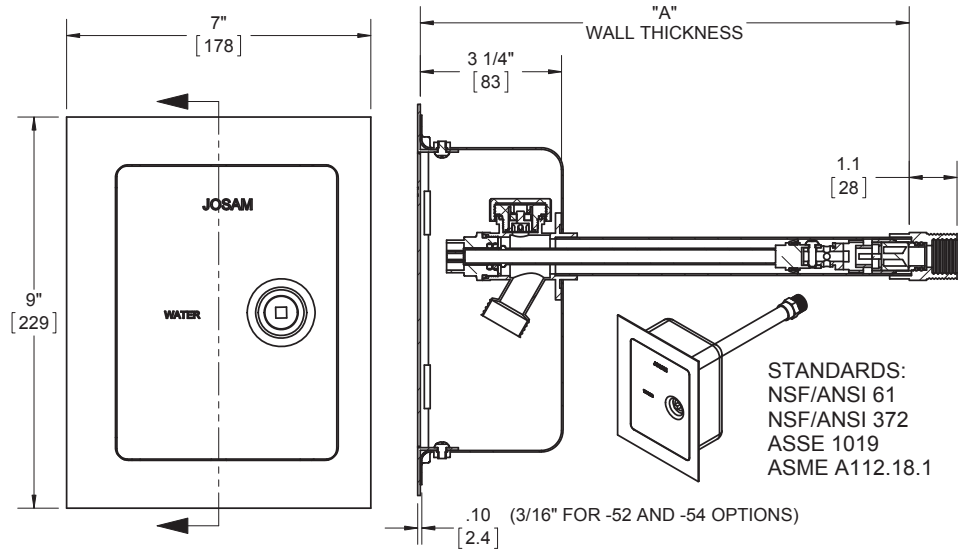
RECOMMENDED MIN. WALL OPENING: 5-1/2" X 7-3/4"

MODEL	A
71300-6-QTR	6-1/4 [159]
71300-7-QTR	7-1/4 [184]
71300-9-QTR	9-1/4 [235]
71300-11-QTR	11-1/4 [286]
71300-13-QTR	13-1/4 [337]
71300-15-QTR	15-1/4 [387]
71300-17-QTR	17-1/4 [438]

OPTIONS:

-52	CAST SATIN FINISH BR FACE
-54	CAST SATIN FINISH NIKALOY FACE
-72	WALL CLAMP
-81	HOSE BIBB VACUUM BREAKER
-91	1" HOSE PIPE THREADED OUTLET
-95	CYLINDER SECURED LOCK

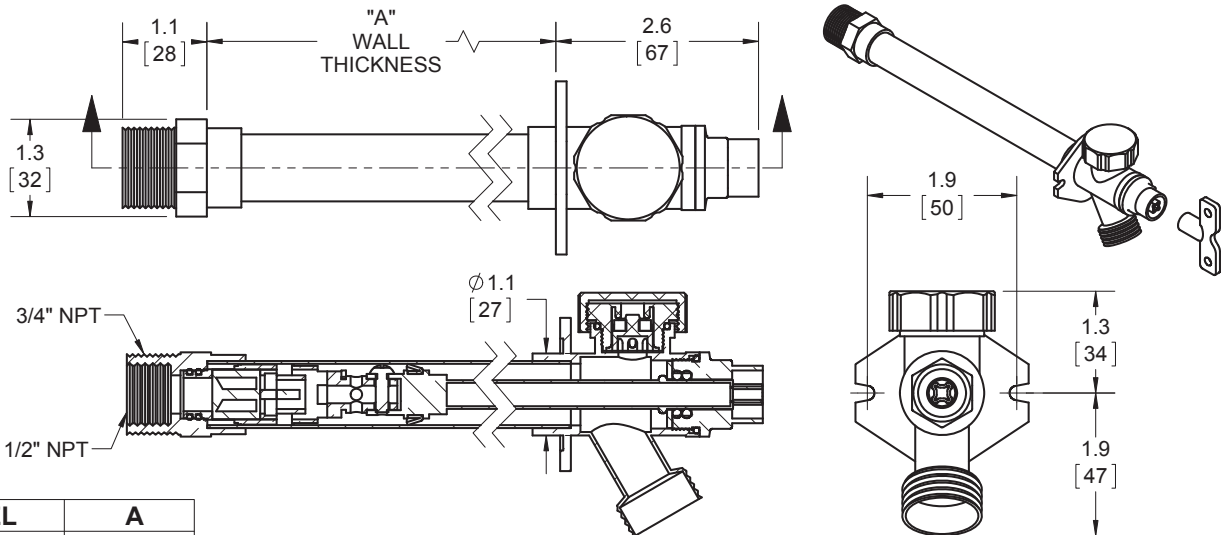
-81 AND -91 CANNOT BE ORDERED TOGETHER



JOSAM HYDRANT 1/4 TURN - SERIES 71350

SPECIFICATION: JOSAM SERIES 71350 CHROME-PLATED HYDRANT/SILL-COCK, 3/4" HPT OUTLET, INTEGRAL BACK FLOW PREVENTER, AND 1/2" OR 3/4" INLET CONNECTION.

APPROVED TO NSF/ANSI 61 FOR USE IN POTABLE WATER SYSTEMS.



MODEL	A
71350-MC-QTR	3 [76]
71350-4-QTR	4 [102]
71350-6-QTR	6 [152]
71350-8-QTR	8 [203]
71350-10-QTR	10 [254]
71350-12-QTR	12 [305]
71350-14-QTR	14 [356]

OPTIONS:

-72	WALL CLAMP
-81	HOSE BIBB VACUUM BREAKER
-91	1" HOSE PIPE THREADED OUTLET

STANDARDS:

NSF/ANSI 61
NSF/ANSI 372
ASSE 1019
ASME A112.18.1

DATE OF LAST CHANGE: 10/30/14

DIMENSIONS ARE SUBJECT TO MANUFACTURERS TOLERANCES AND CHANGE WITHOUT NOTICE. WE CAN ASSUME NO RESPONSIBILITY FOR USE OF SUPERSEDED OR VOID DATA.