



www.JOSAM.com

Leveze II

2-Stage Adjustable Floor Drains and Cleanouts



Standard Features:

- Adjustable height before and after the concrete pour
- Available as a floor drain or cleanout
- Cast iron body and bushing, nikaloy rim and cover
- Available with round or square rim
- 5" nom. top size
- 2"-5" outlet sizes
- Push-On (-Y) (2"-4") and No-Hub (-Z) (2"-5")



WARNING: Cancer and Reproductive Harm - www.p65warnings.ca.gov



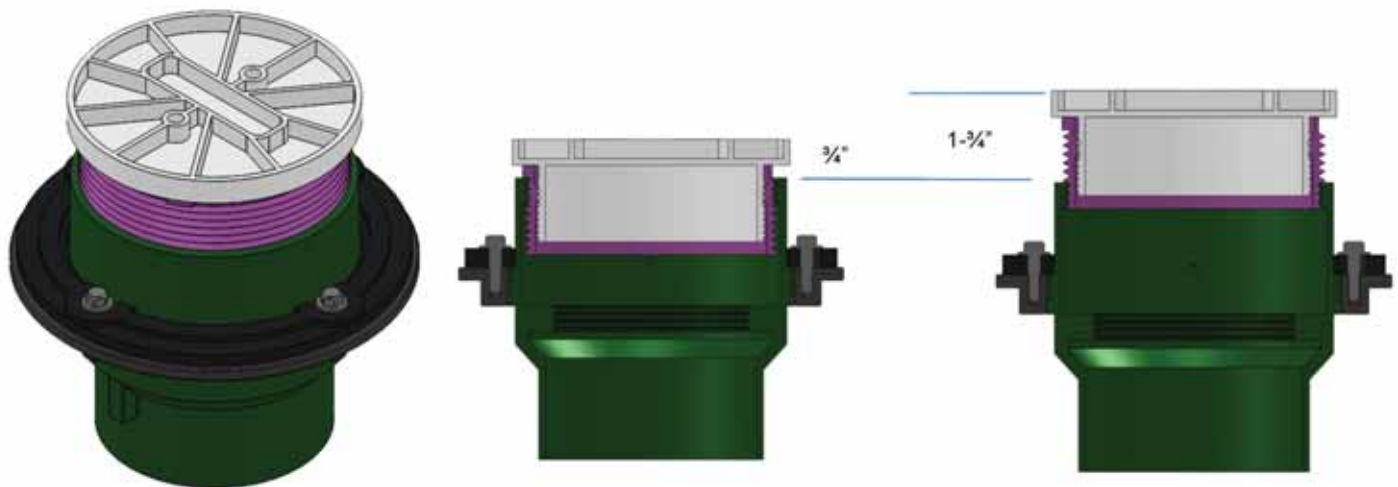
www.JOSAM.com

Installation:

1. Set drain or cleanout body with bushing and plug to desired height for concrete pour
2. Be sure plug is tight against top of bushing before pour
3. Mark label on top of bushing to signify Floor Drain or Clean Out for finish installers
4. Pour concrete and allow to cure. Tabs at top of bushing will lock into floor
5. After cure, un-thread plug from bushing and insert top assembly
6. Adjust top assembly height as needed for finished floor

Note: Square tops (-S) have a minimum height above concrete surface of $\frac{1}{4}$ " .

Pre-Pour Install - Adjustable to Concrete Level



Finished Install - Adjustable to Finished Floor Level



*Square tops (-S) have a minimum height above concrete surface of $\frac{1}{4}$ " .

For detailed submittal drawings and pricing, please refer to Josam Company's website or contact your local Josam representative.