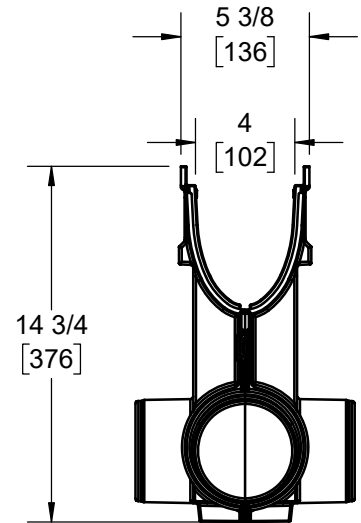
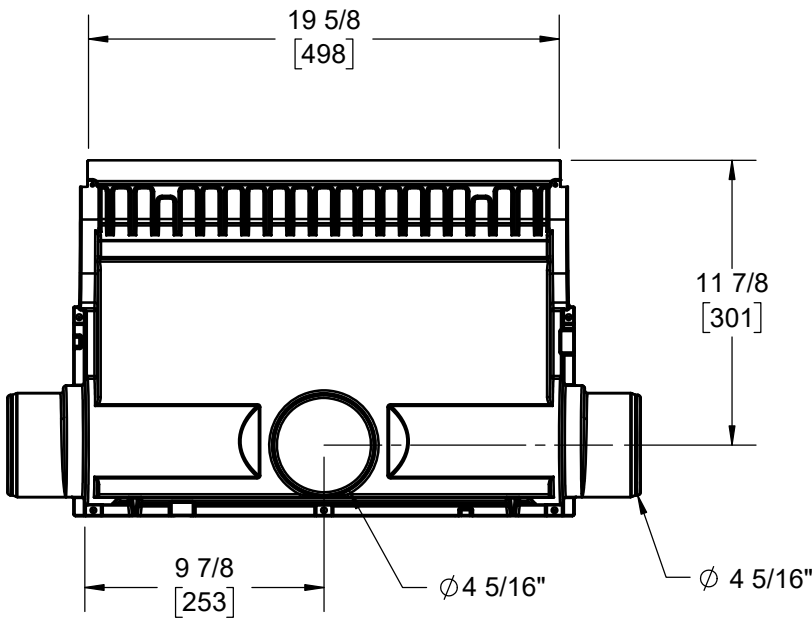
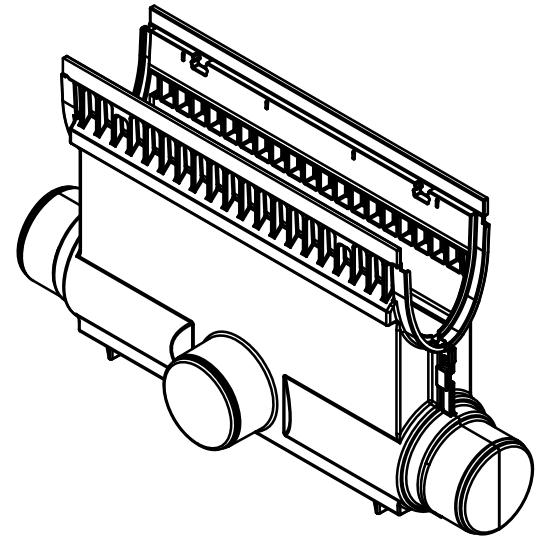


**SPECIFICATION:**

JOSAM 100-SB SILT BOX WITH SEDIMENT BUCKET FOR USE WITH PRO-PLUS 100C SERIES 4" INTERNAL WIDTH TRENCH CHANNELS. MADE WITH SMC/GRP MATERIAL WITH PIPE CONNECTIONS AND AVAILABLE WITH AND WITHOUT SLOPE

**PRO-PLUS  
SILT BOX 100C**

SERIES **100-SB**



WARNING: Cancer and Reproductive Harm - www.P65Warnings.ca.gov

DATE OF LAST CHANGE: 2/18/2021  
 DIMENSIONS ARE SUBJECT TO MANUFACTURERS TOLERANCES AND CHANGE WITHOUT NOTICE. WE CAN ASSUME NO RESPONSIBILITY FOR USE OF SUPERSEDED OR VOID DATA.

**JOSAM**  
 MICHIGAN CITY, INDIANA

NOTES